

Mounting instruction

Sliding door fitting upto 265 lb door weight

TRAVAL **WOOD**

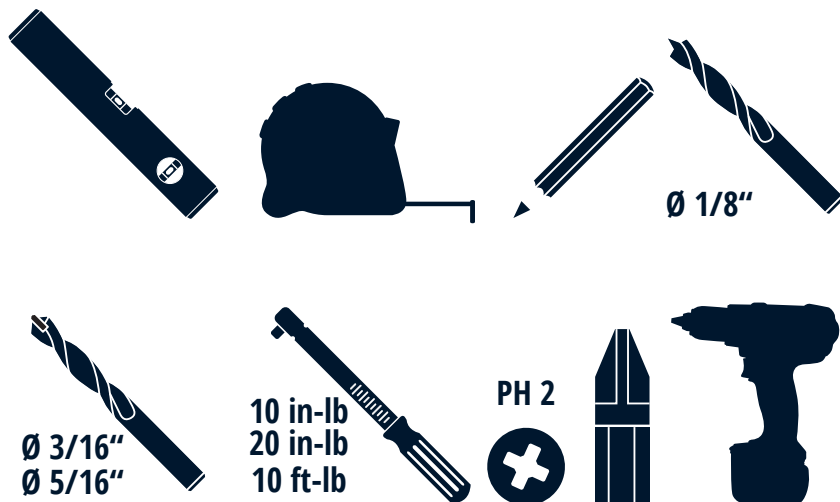
MOUNTING PREPARATION | TRAVAL **WOOD**

Safety notes

Before assembly, please read the assembly instructions carefully. In case of difficulties in understanding, contact the customer service or your supplier. In order to assemble the purchased product properly, please use the tools indicated on the following page.

All components have been checked for integrity by „Bartels“ before delivery. „Bartels“ accepts no liability for damage caused by improper assembly or transport.

Required tools

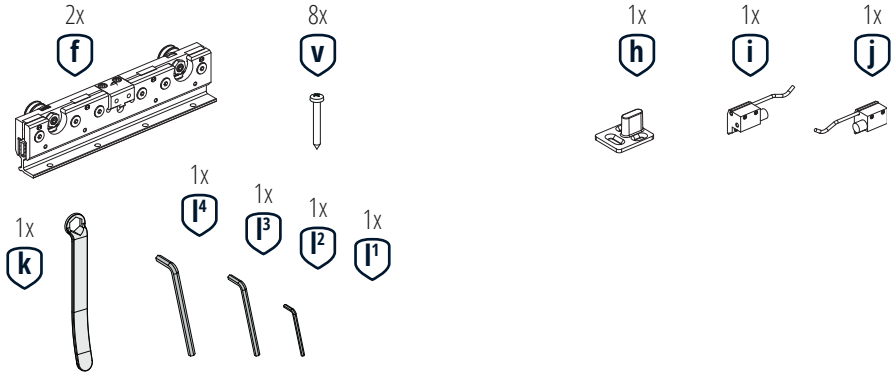


Parts of the box track

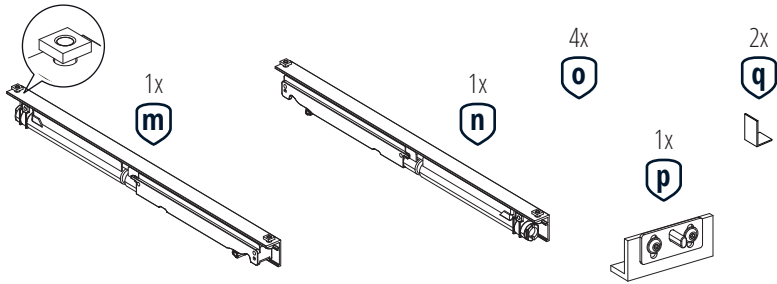


MOUNTING PREPARATION | TRAVAL **WOOD**

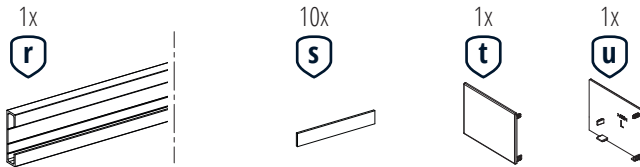
Fitting parts for wood doors up to 265 lb



Softclose set for wood doors up to 176 lb*



Distance profile set*

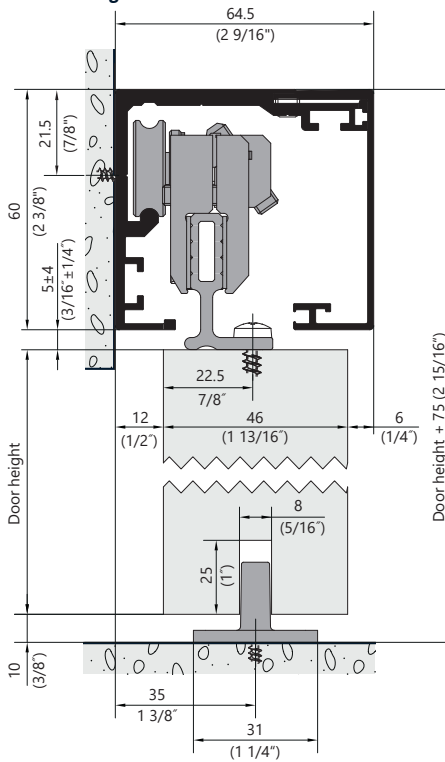


* optional

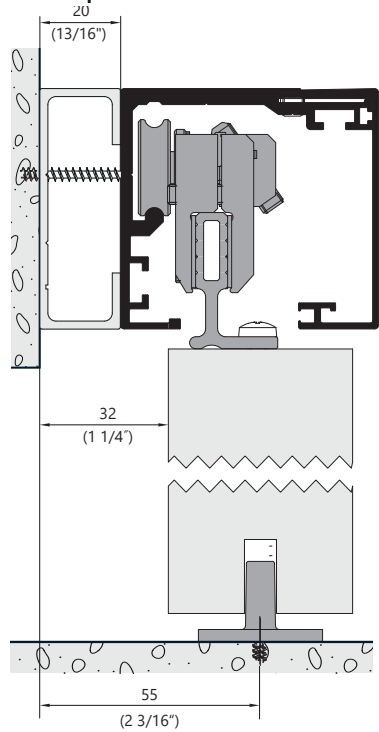
DIMENSIONS | TRAVAL WOOD

Side view

Wall mounting

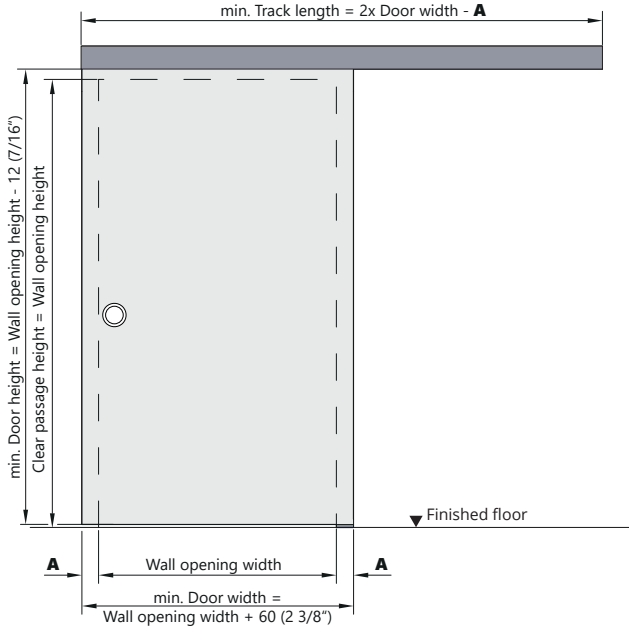


With distanz profile



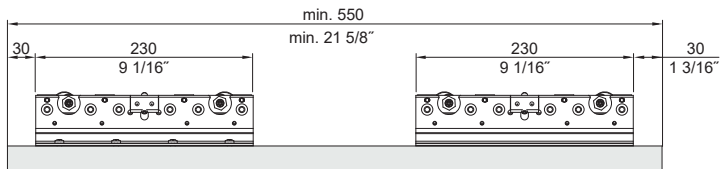
Front view

Illustration shows opening direction to the right*

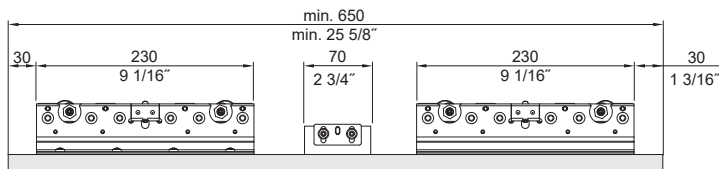


* Opening direction can be easily switched to the left. It depends only on the box track position.

Wood door clamps



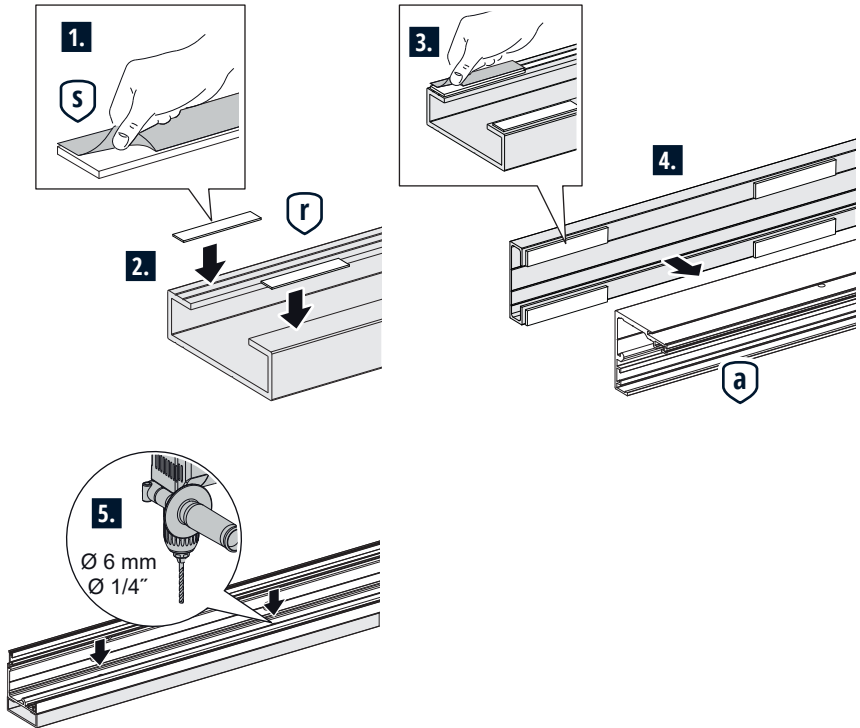
Wood door clamps with softclose trigger



MOUNTING | TRAVAL WOOD

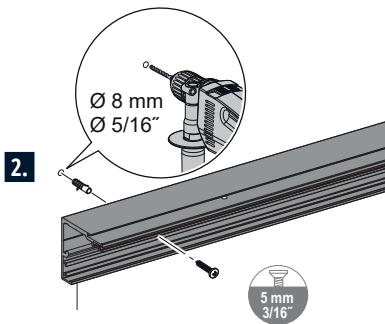
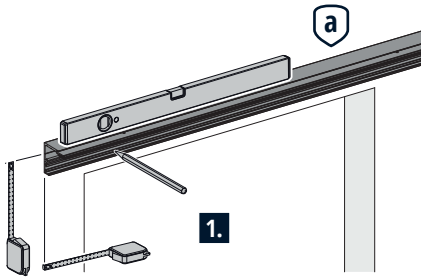
1.

With optional distance profile only

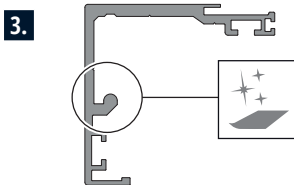


2.

Wall mounting



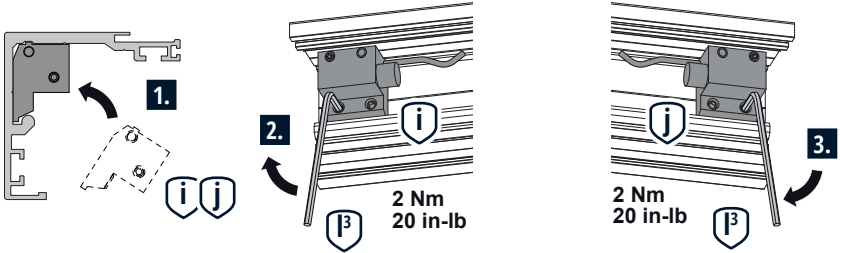
! The load-bearing capacity of the wall must be checked. Suitable fastening material must be provided by the customer!



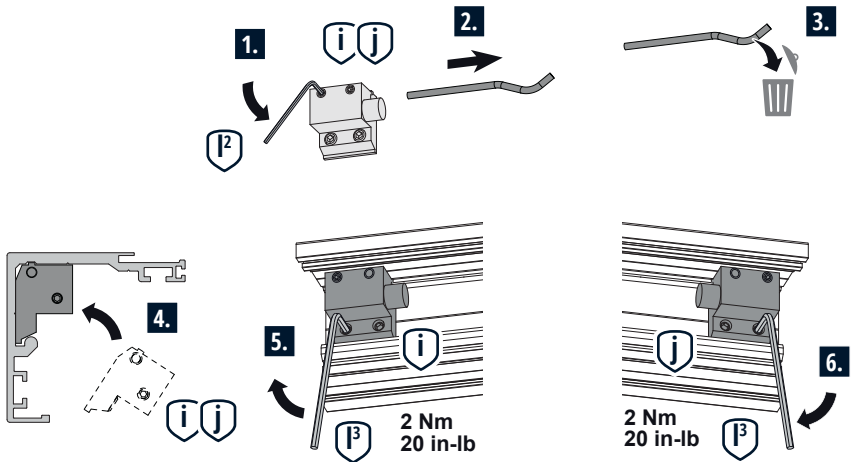
MOUNTING | TRAVEL WOOD

3.

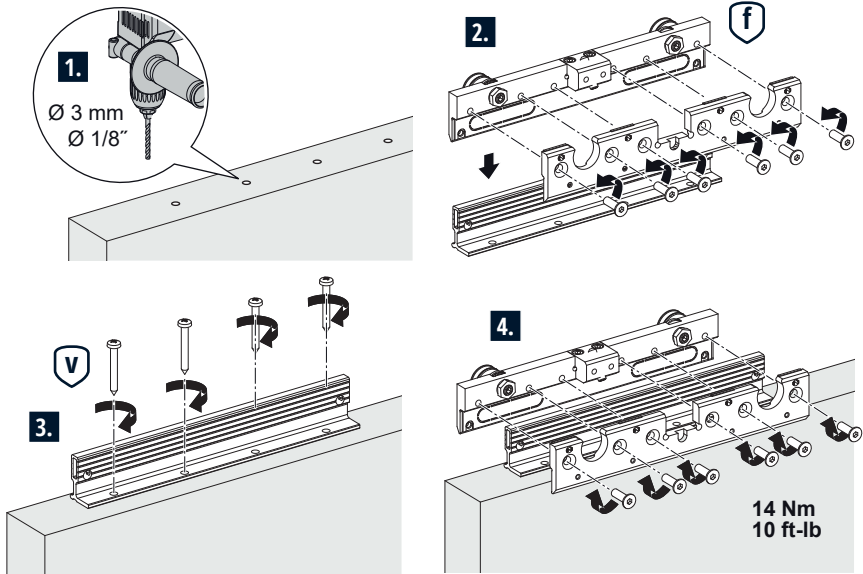
With snap-in stopper



With softclose

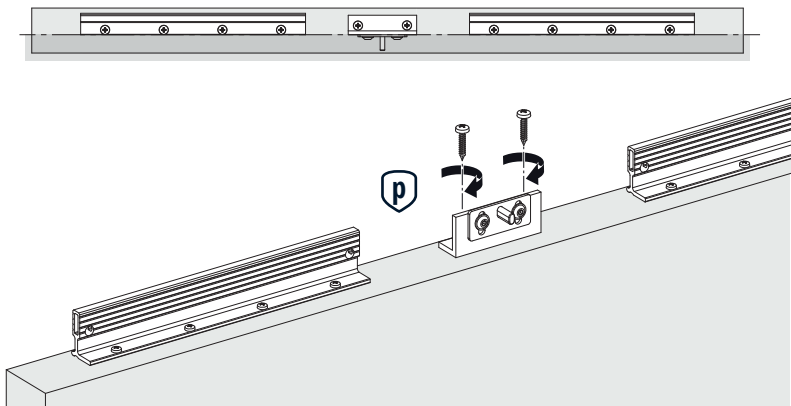


4.



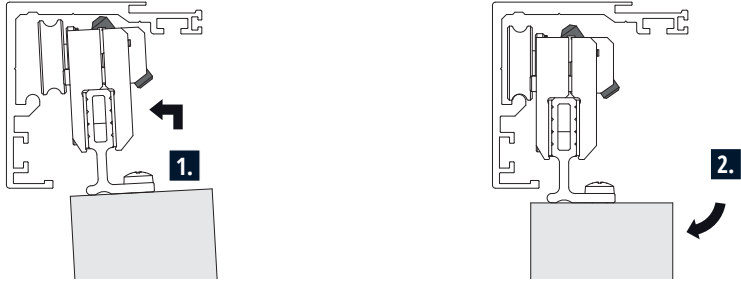
5.

With optional softclose only

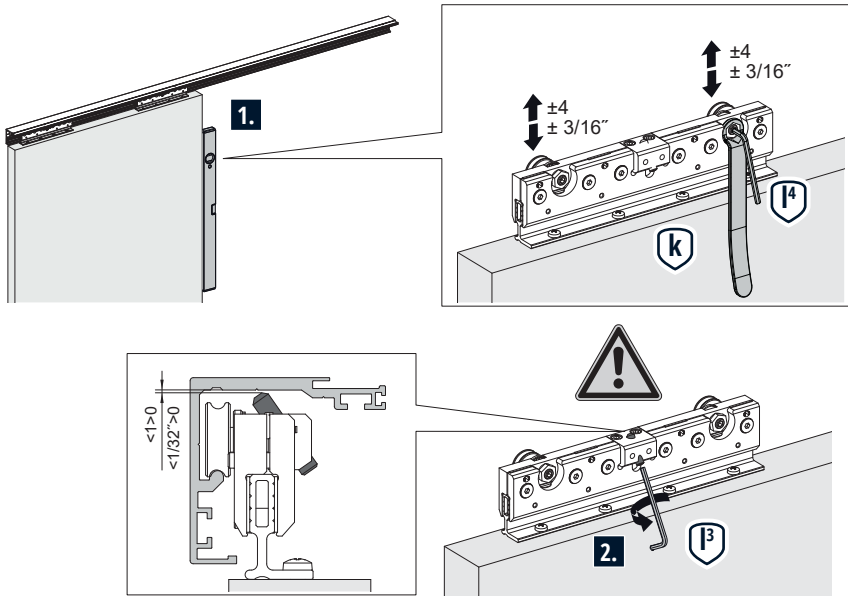


MOUNTING | TRAVAL WOOD

6.

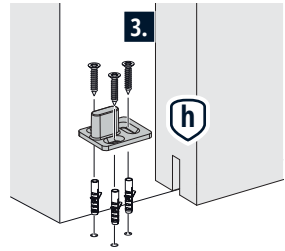
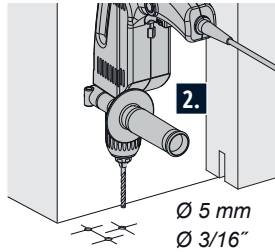
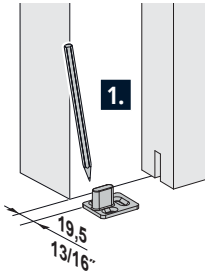


7.



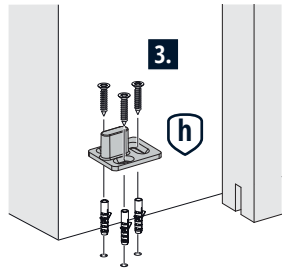
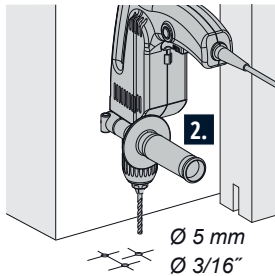
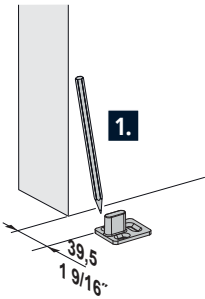
8.

Without distance profile



! The condition of the floor must be checked. Suitable fastening material must be provided by the customer!

With distance profile

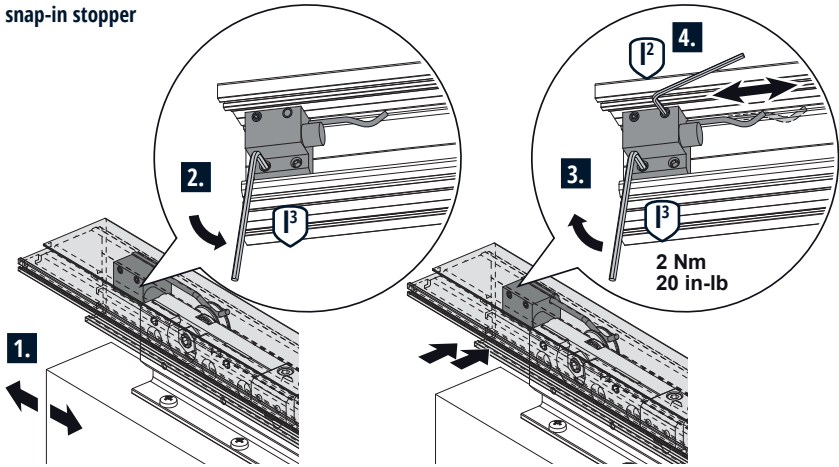


! The condition of the floor must be checked. Suitable fastening material must be provided by the customer!

MOUNTING | TRAVEL WOOD

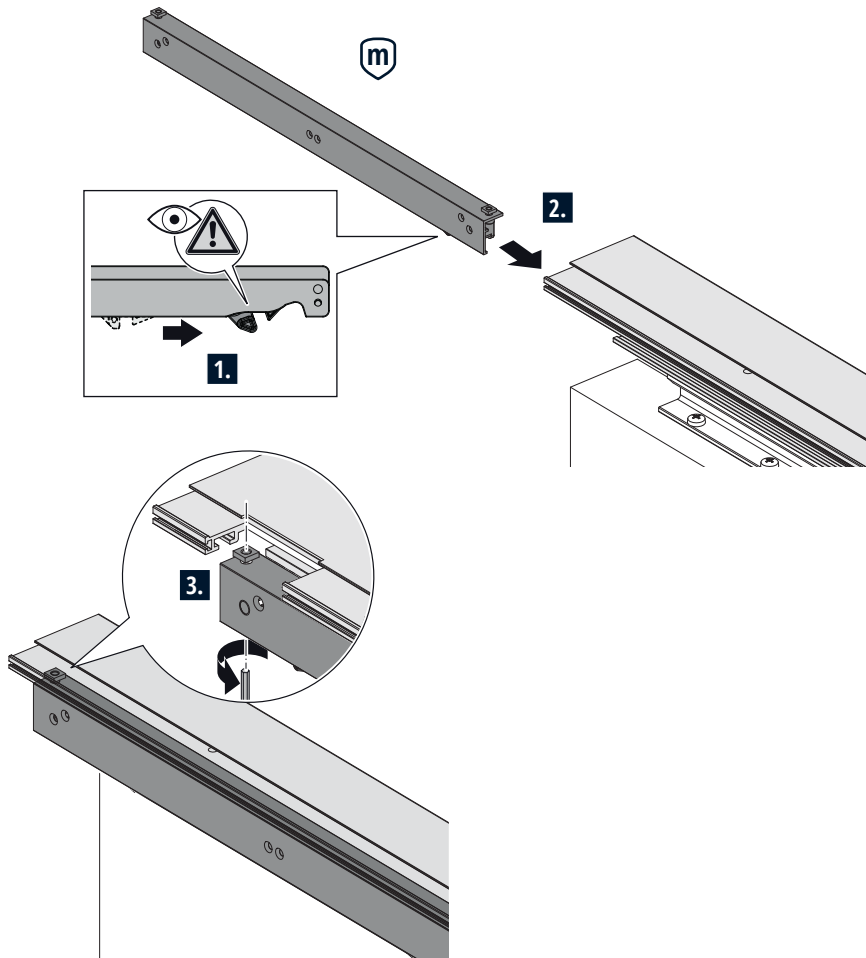
9.

With snap-in stopper



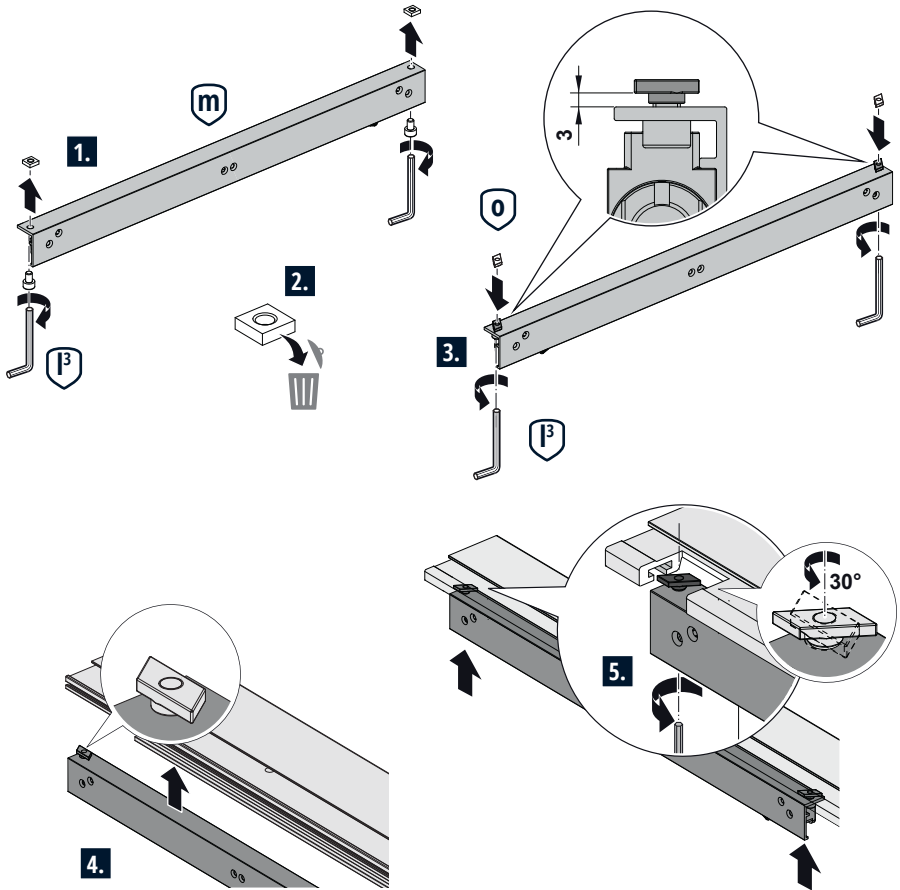
10.1.

With softclose



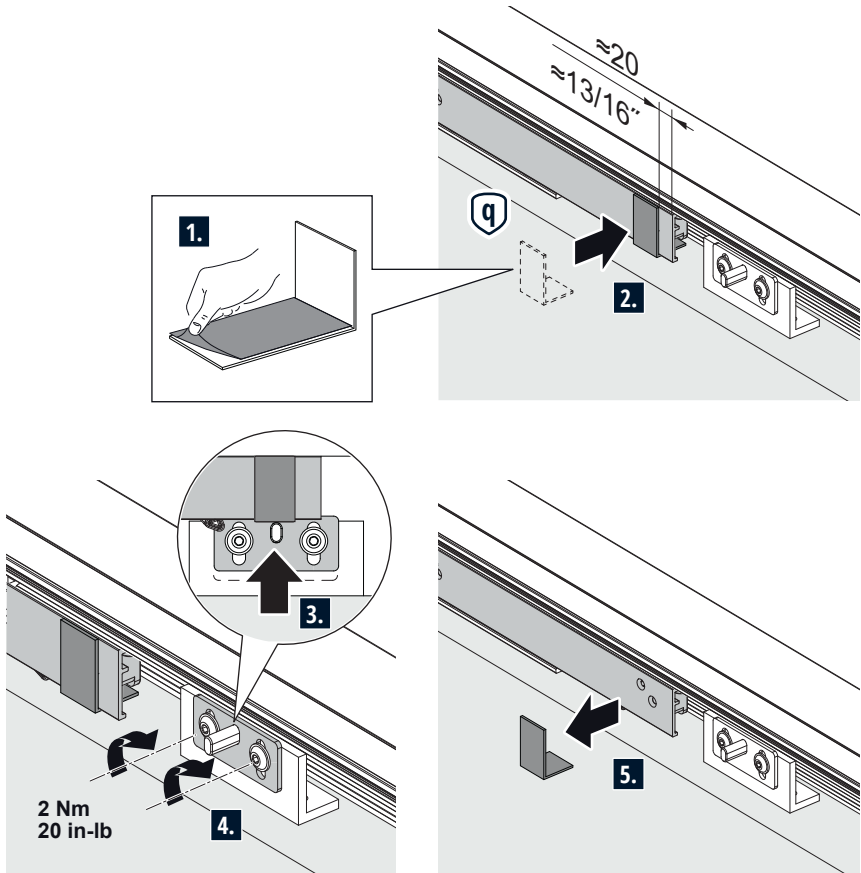
MOUNTING | TRAVAL WOOD

Mounting option: Mounting the softclose from below



10.2.

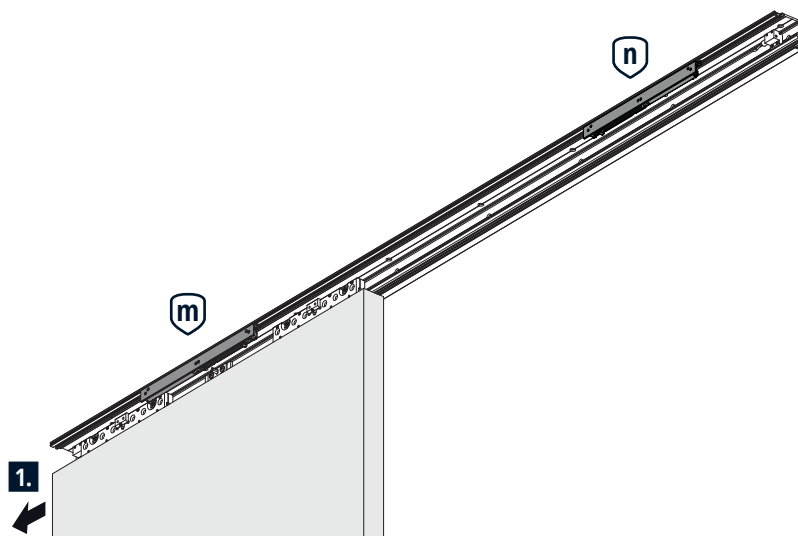
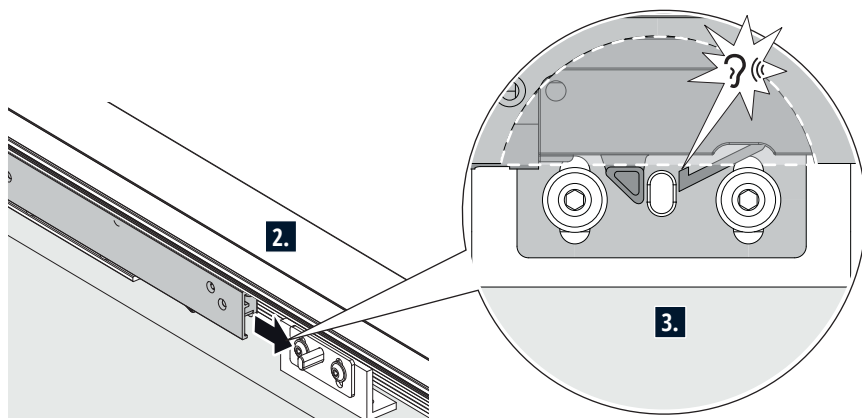
With softclose



MOUNTING | TRAVAL WOOD

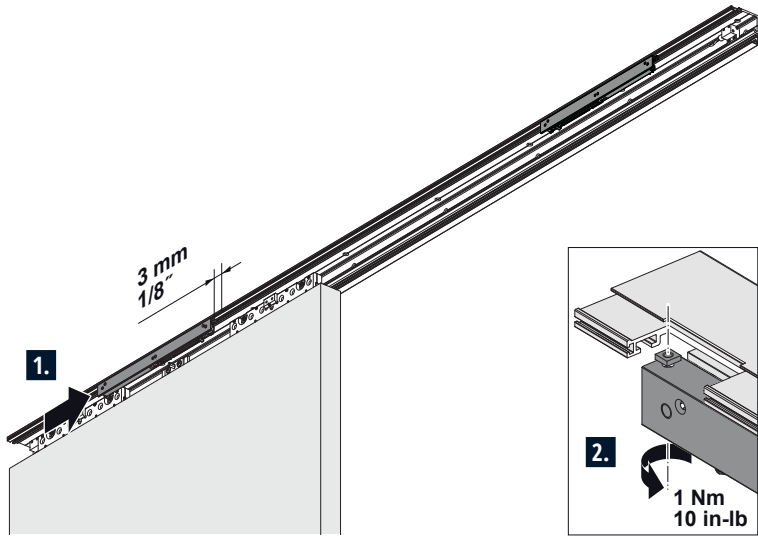
10.3.

With softclose

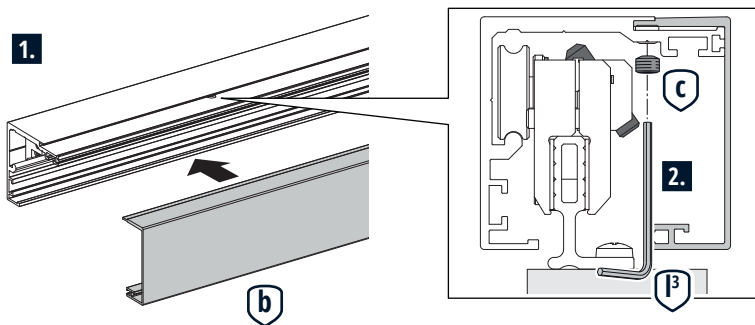


10.4.

With softclose



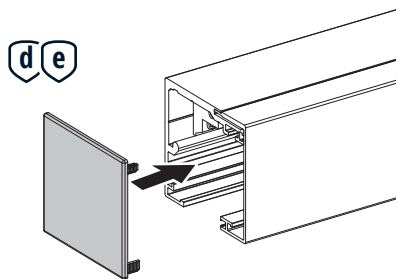
11.



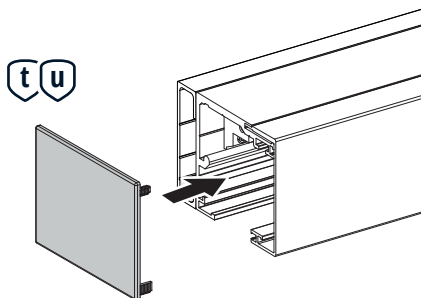
MOUNTING | TRAVAL WOOD

12.

Without distance profile



With distance profile





DOORS & HARDWARE
MADE IN GERMANY

Phone 954-924-6137
e-Mail sales@bartelsdoors.com
Website www.bartelsdoors.com