

## **Mounting instruction**

Sliding door fitting upto 265 lb door weight

TRAVAL **GLASS**

# MOUNTING PREPARATION | TRAVAL **GLASS**

## Safety notes

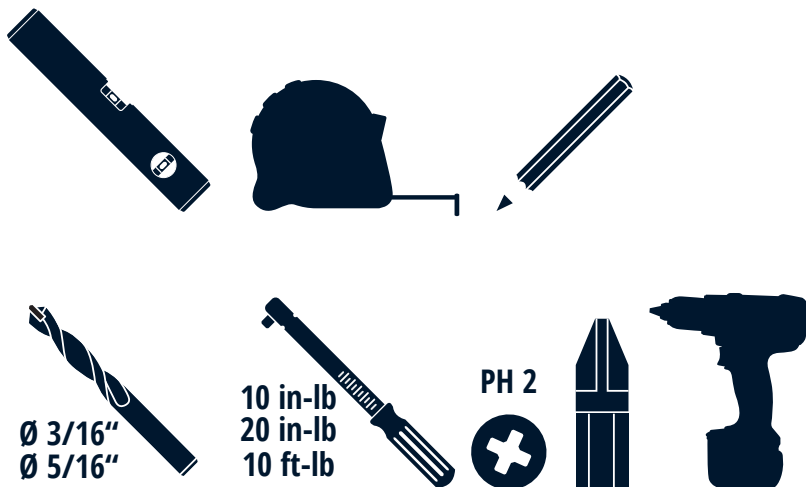
---

Before assembly, please read the assembly instructions carefully. In case of difficulties in understanding, contact the customer service or your supplier. In order to assemble the purchased product properly, please use the tools indicated on the following page.

All components have been checked for integrity by „Bartels“ before delivery. „Bartels“ accepts no liability for damage caused by improper assembly or transport.

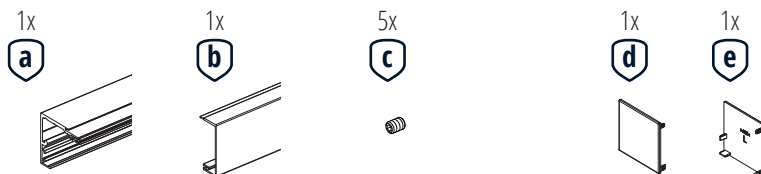
## Required tools

---



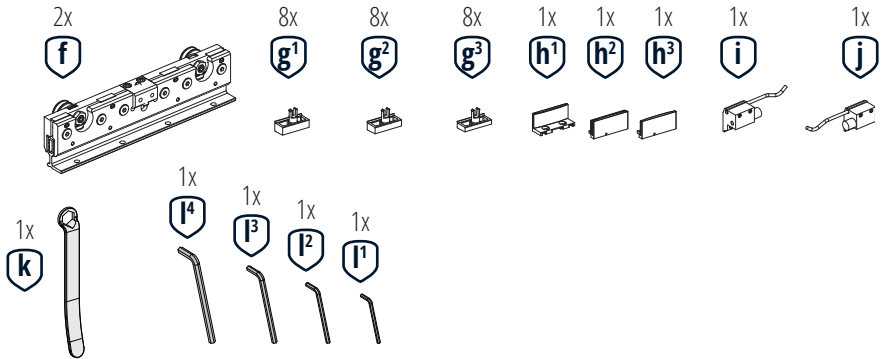
## Parts of the box track

---

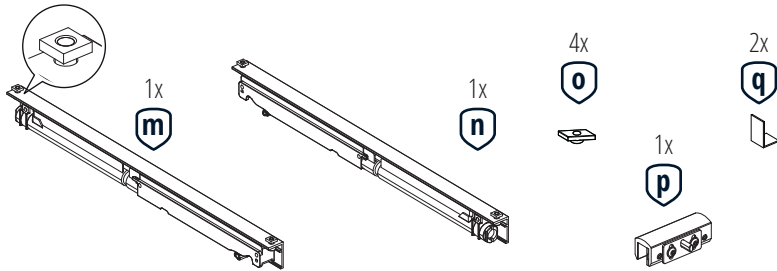


# MOUNTING PREPARATION | TRAVAL **GLASS**

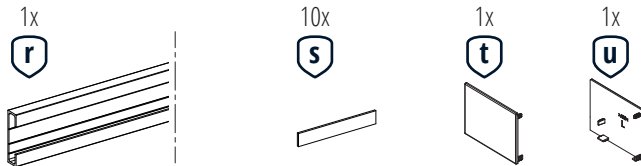
Fitting parts for glass doors up to 265 lb



Softclose set for glass doors up to 176 lb\*



Distance profile set\*

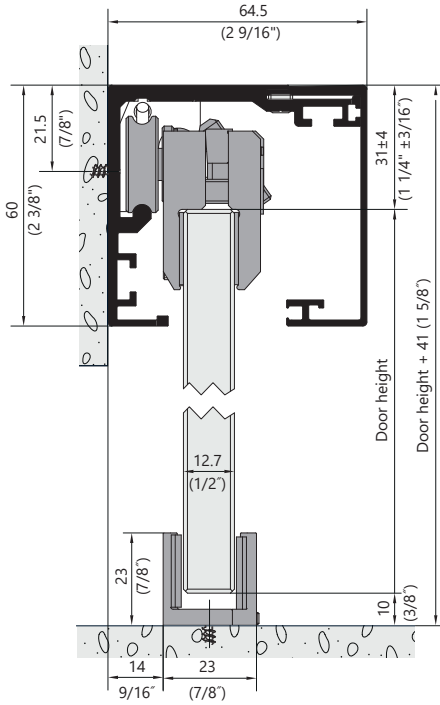


\* optional

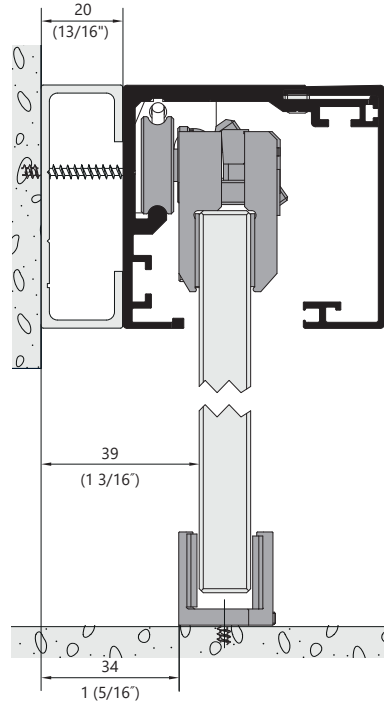
# DIMENSIONS | TRAVAL GLASS

## Side view

### Wall mounting



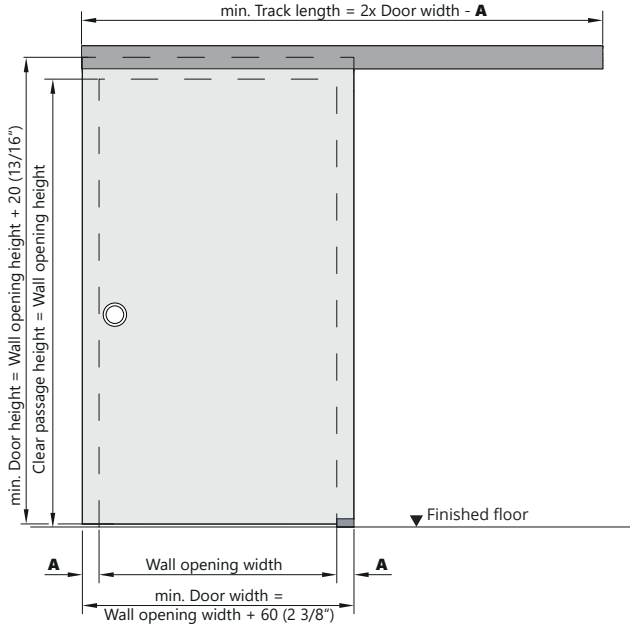
### With distanz profile



Also possible with glass thicknesses 17/32" (13,5 mm) and 1/4" (10 mm)

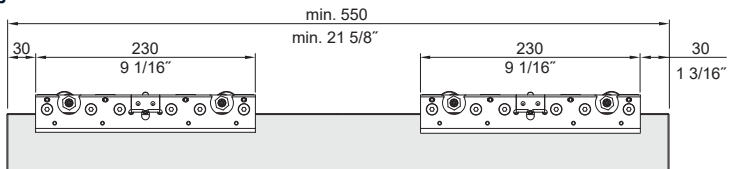
## Front view

Illustration shows opening direction to the right\*

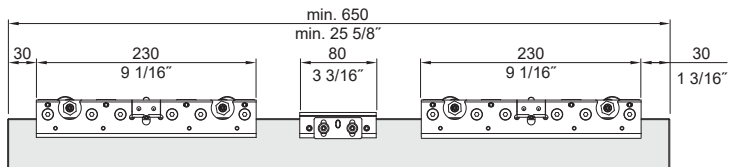


\* Opening direction can be easily switched to the left. It depends only on the box track position.

### Glass door clamps



### Glass door clamps with softclose trigger

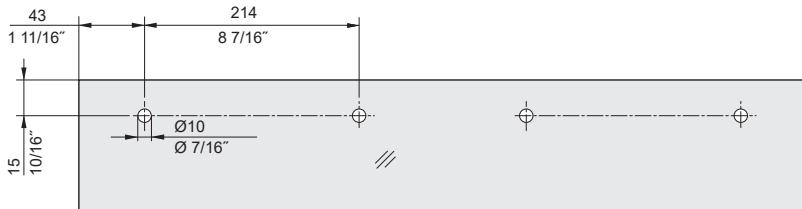


# DIMENSIONS | TRAVAL GLASS

## Glass machining

---

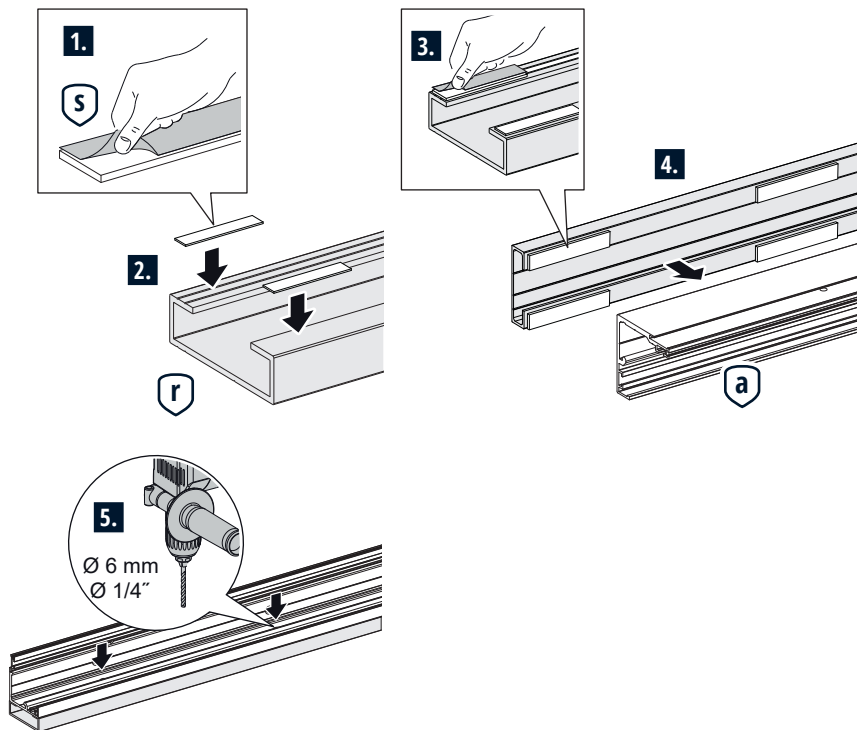
**For optional glass safety pin\***



\* Recommended when using multi layered safety glass

1.

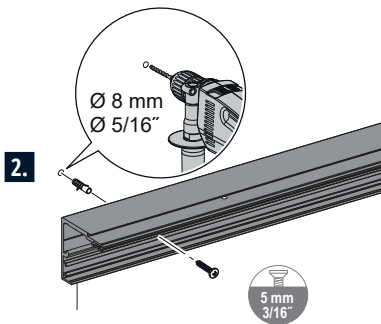
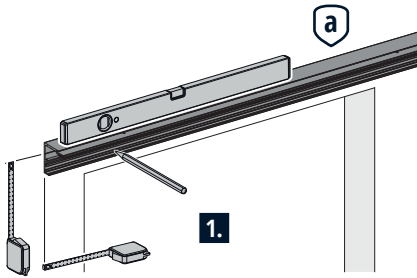
With optional distance profile only



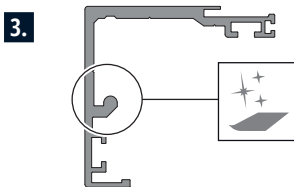
# MOUNTING | TRAVAL GLASS

2.

## Wall mounting



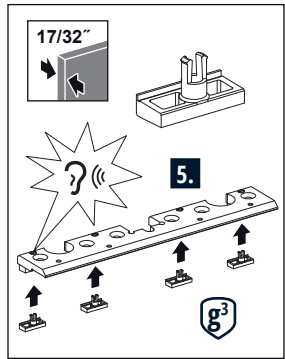
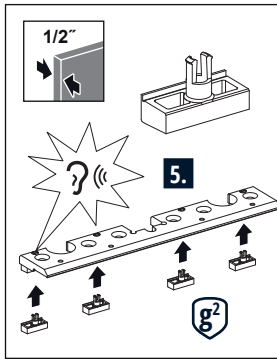
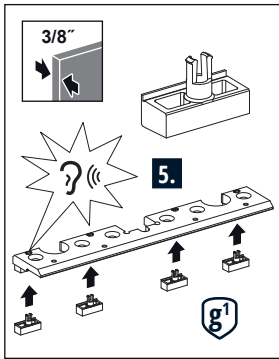
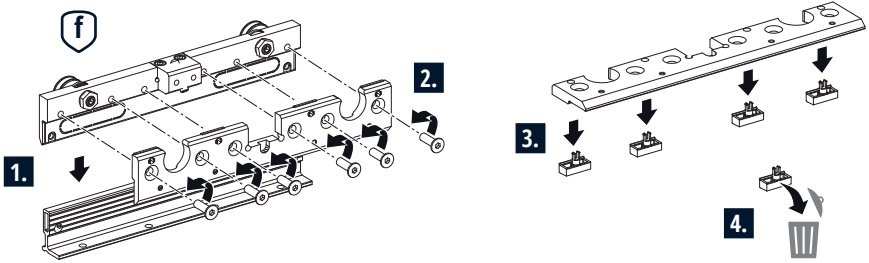
**!** The load-bearing capacity of the wall must be checked. Suitable fastening material must be provided by the customer!



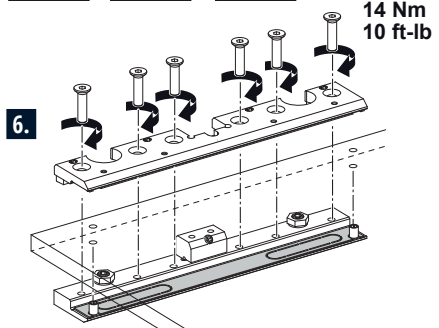
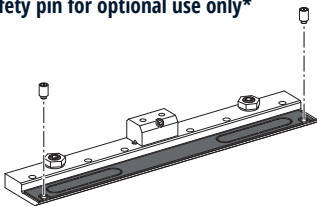


# MOUNTING | TRAVEL GLASS

3.



Safety pin for optional use only\*

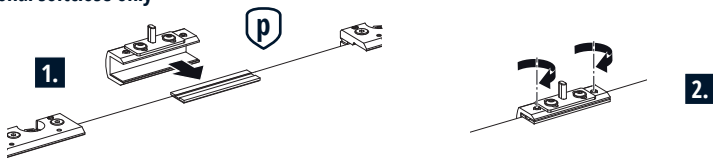


\* Recommended when using laminated safety glass

# MOUNTING | TRAVEL GLASS

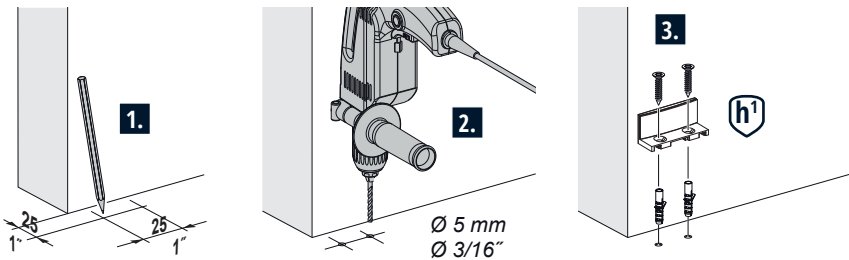
4.

With optional softclose only



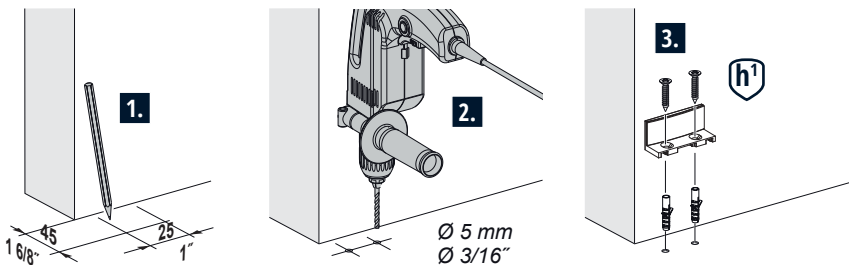
5.

Without distance profile



**!** The condition of the floor must be checked. Suitable fastening material must be provided by the customer!

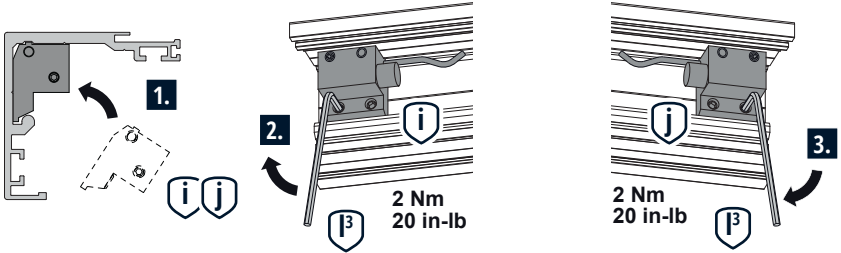
With distance profile



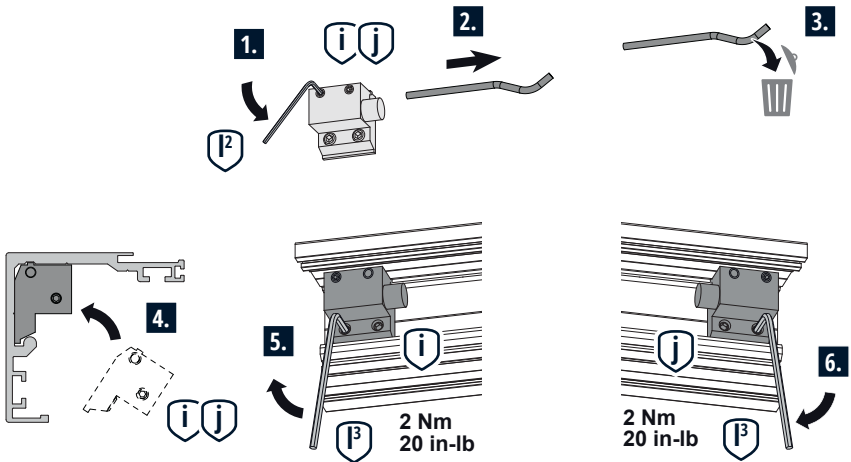
**!** The condition of the floor must be checked. Suitable fastening material must be provided by the customer!

6.

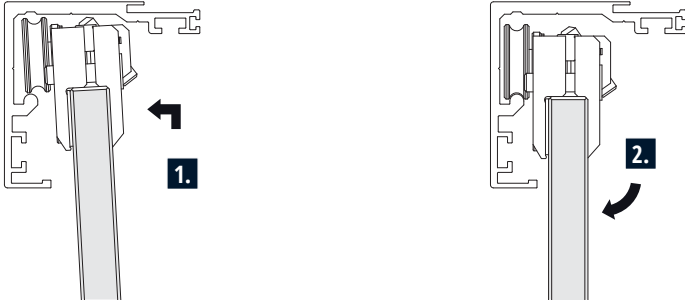
## With snap-in stopper



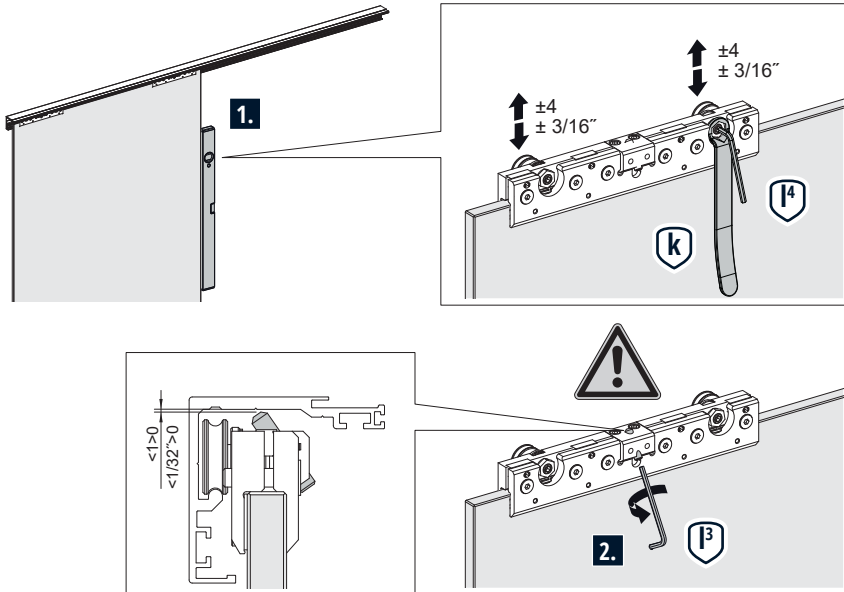
## With softclose



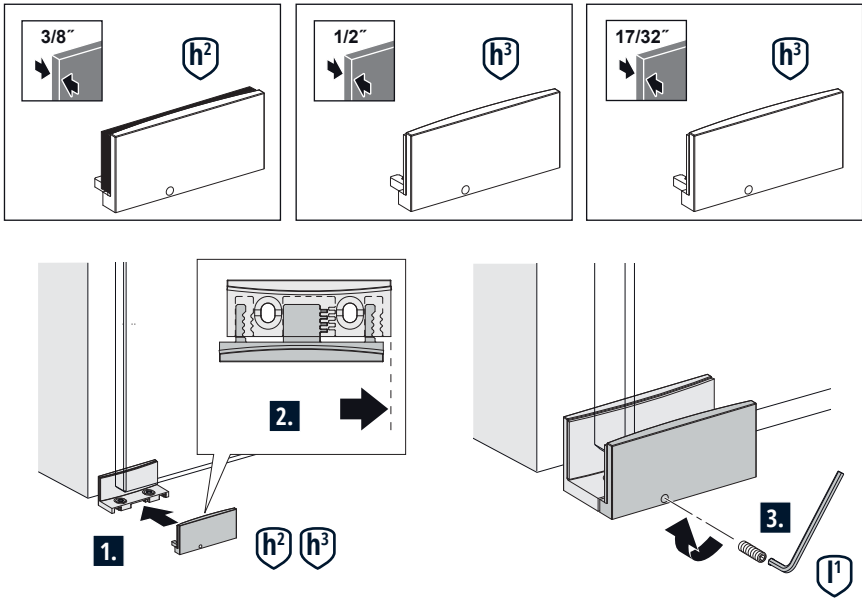
7.



8.

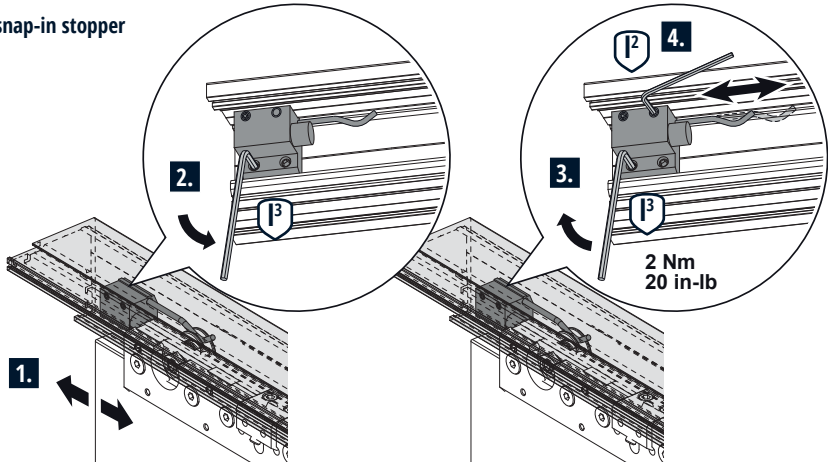


9.



10.

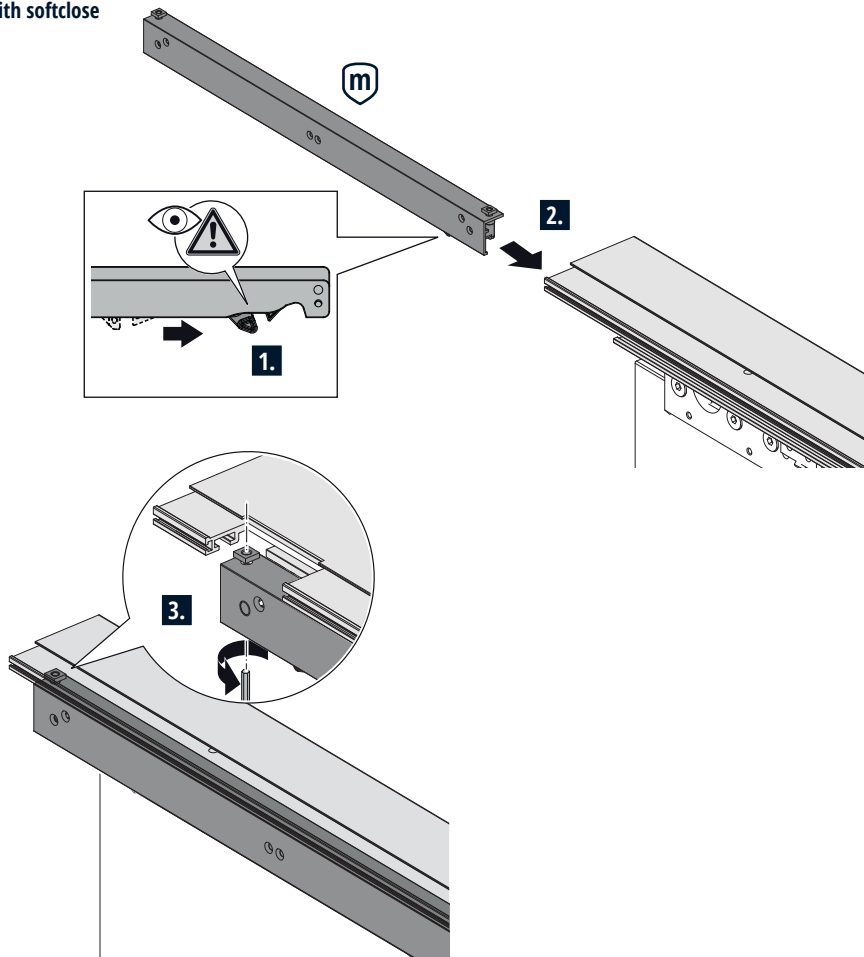
With snap-in stopper



# MOUNTING | TRAVEL GLASS

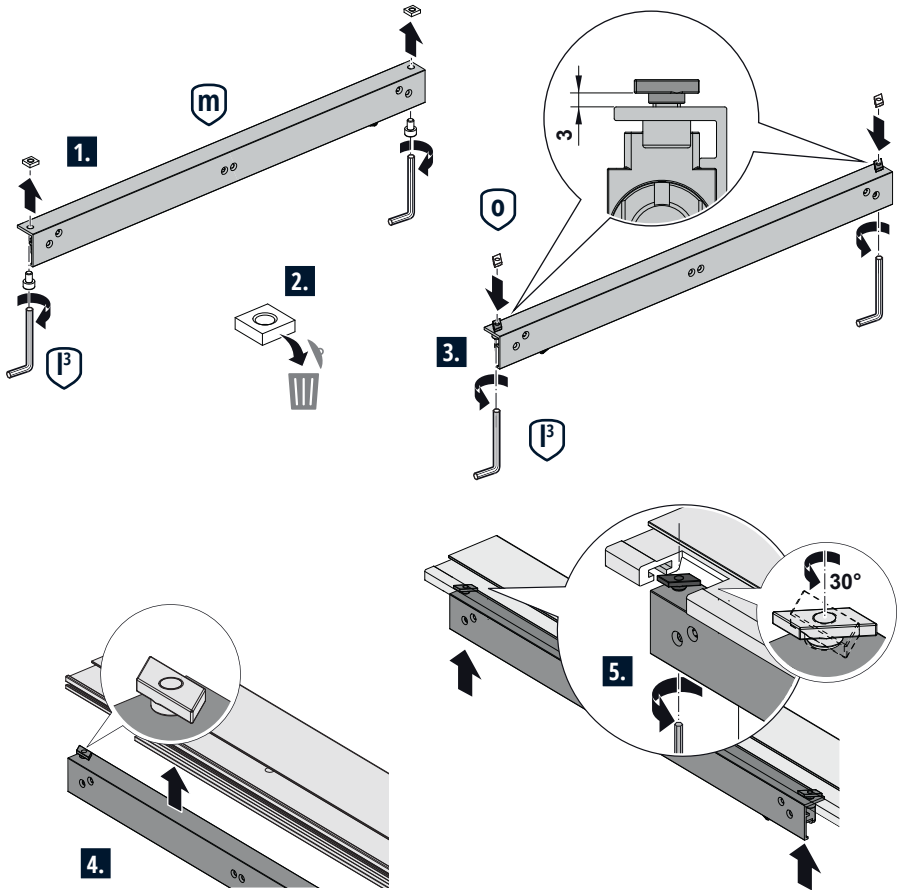
## 11.1.

With softclose



# MOUNTING | TRAVEL GLASS

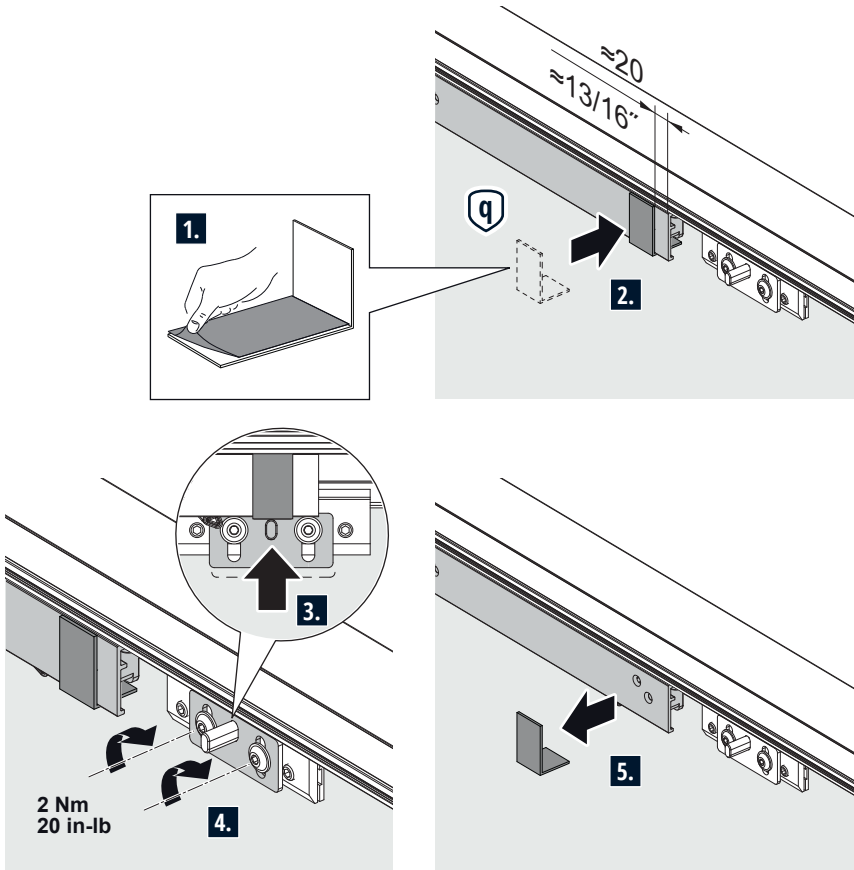
## Mounting option: Mounting the softclose from below



# MOUNTING | TRAVEL **GLASS**

## 11.2.

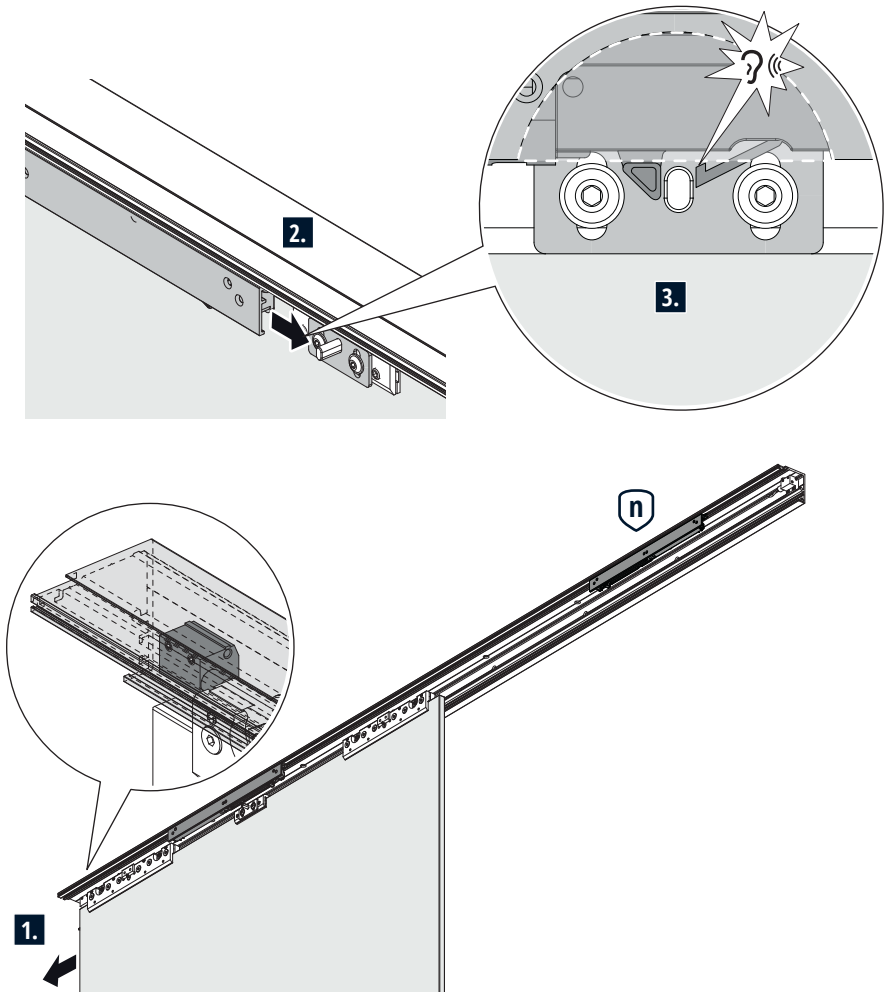
With softclose





## 11.3.

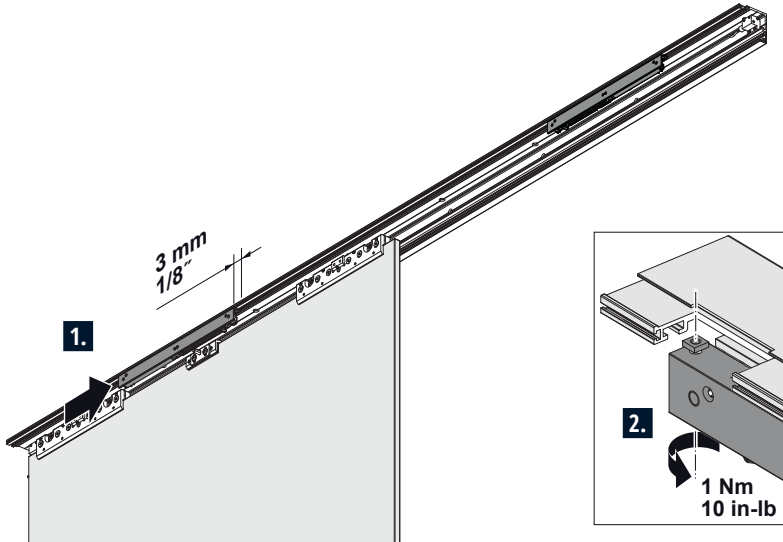
With softclose



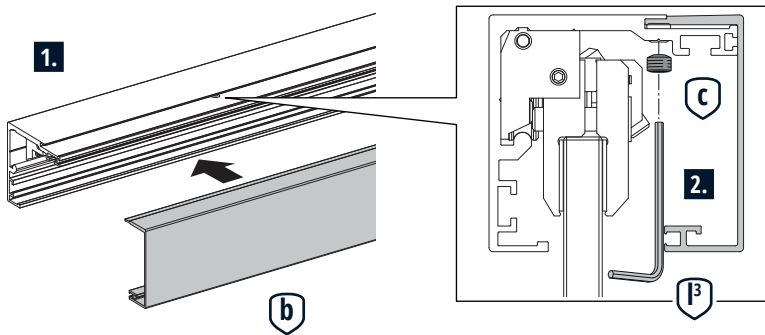
# MOUNTING | TRAVAL **GLASS**

## 11.4.

With softclose

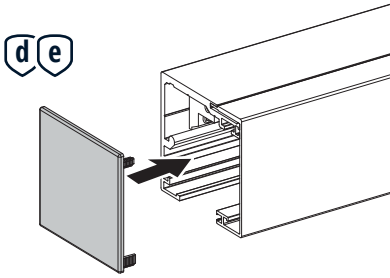


## 12.

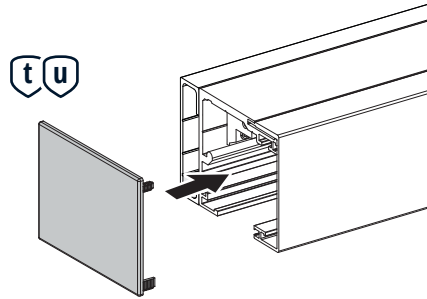


13.

Without distance profile



With distance profile





DOORS & HARDWARE  
MADE IN GERMANY

Phone 954-924-6137  
e-Mail [sales@bartelsdoors.com](mailto:sales@bartelsdoors.com)  
Website [www.bartelsdoors.com](http://www.bartelsdoors.com)