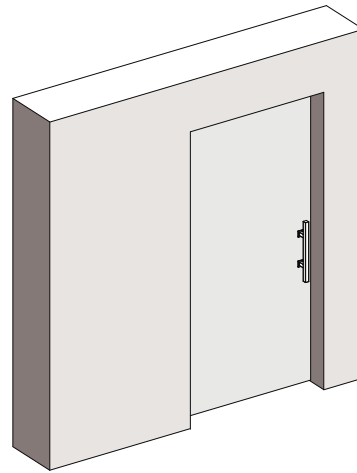


INSTALLATION INSTRUCTION

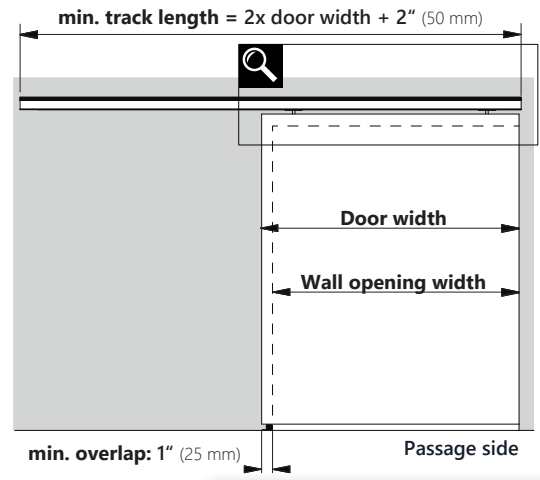
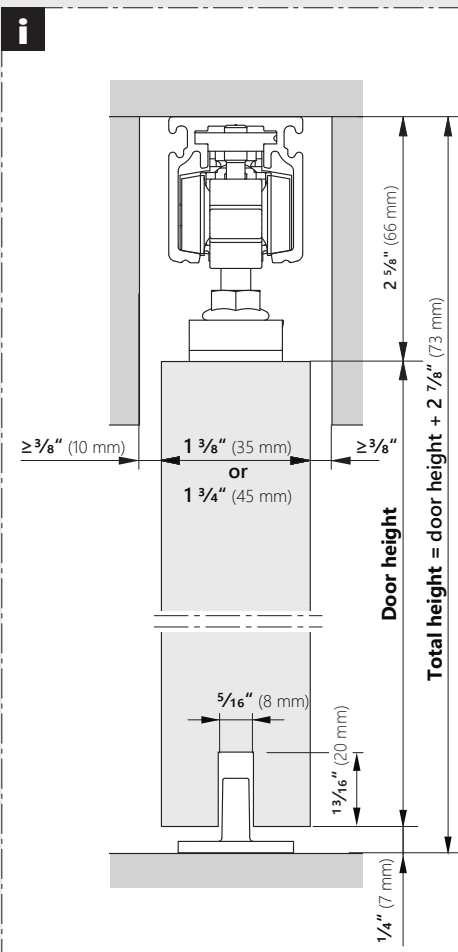
SLIDING DOOR HARDWARE

article number 0160200-02, 0160200-05

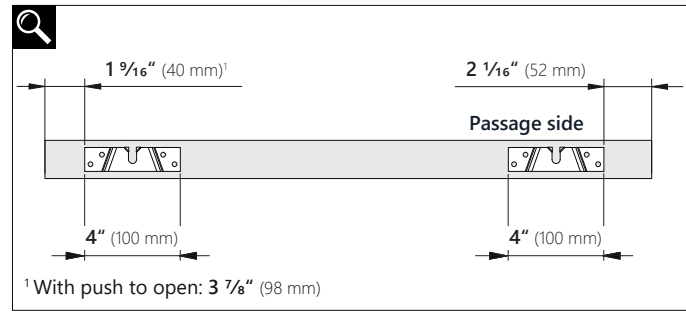
Sliding door hardware
for wood doors
up to 176 lb (80 kg)



* The maximum door weight can be increased to 265 lb (120 kg) with upgraded wheels if no limiting accessories are used.



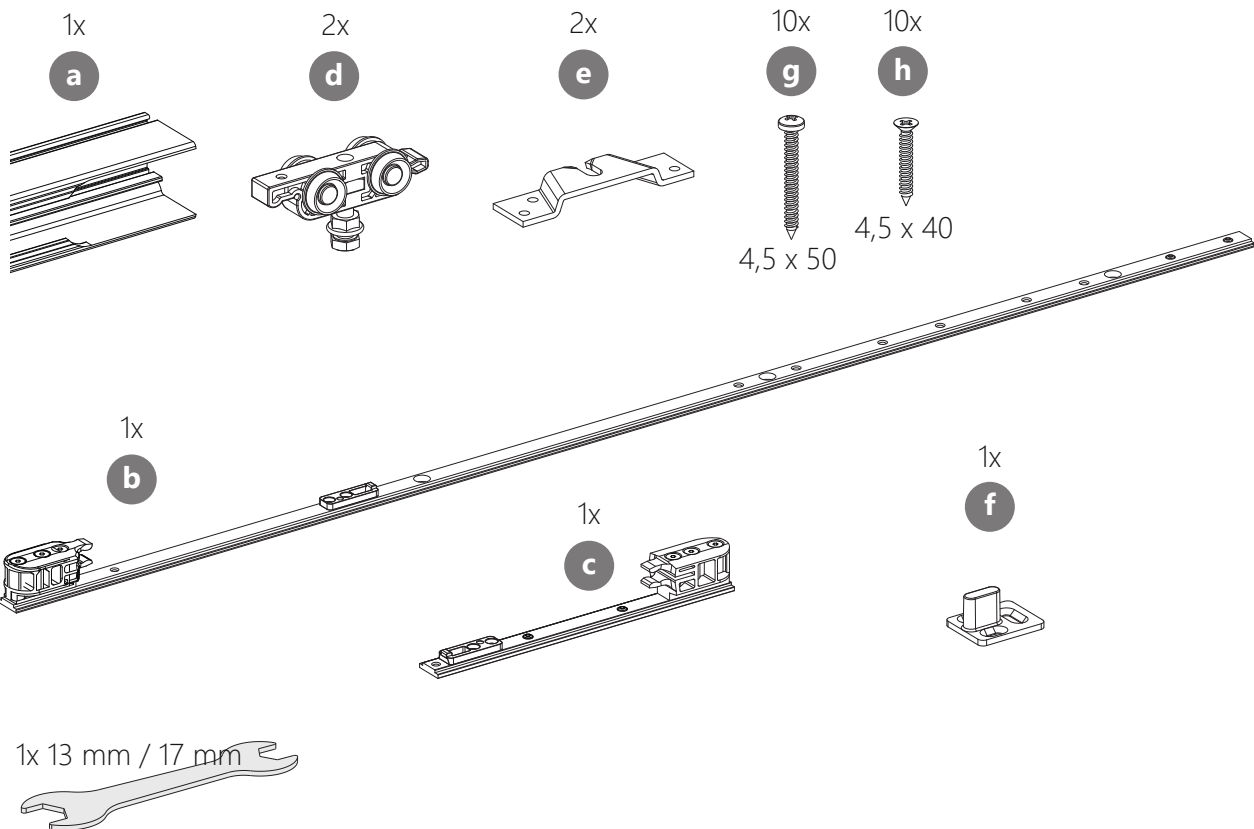
When installing a glass door, double door or the recessed wood door mount, please follow the instructions provided separately.



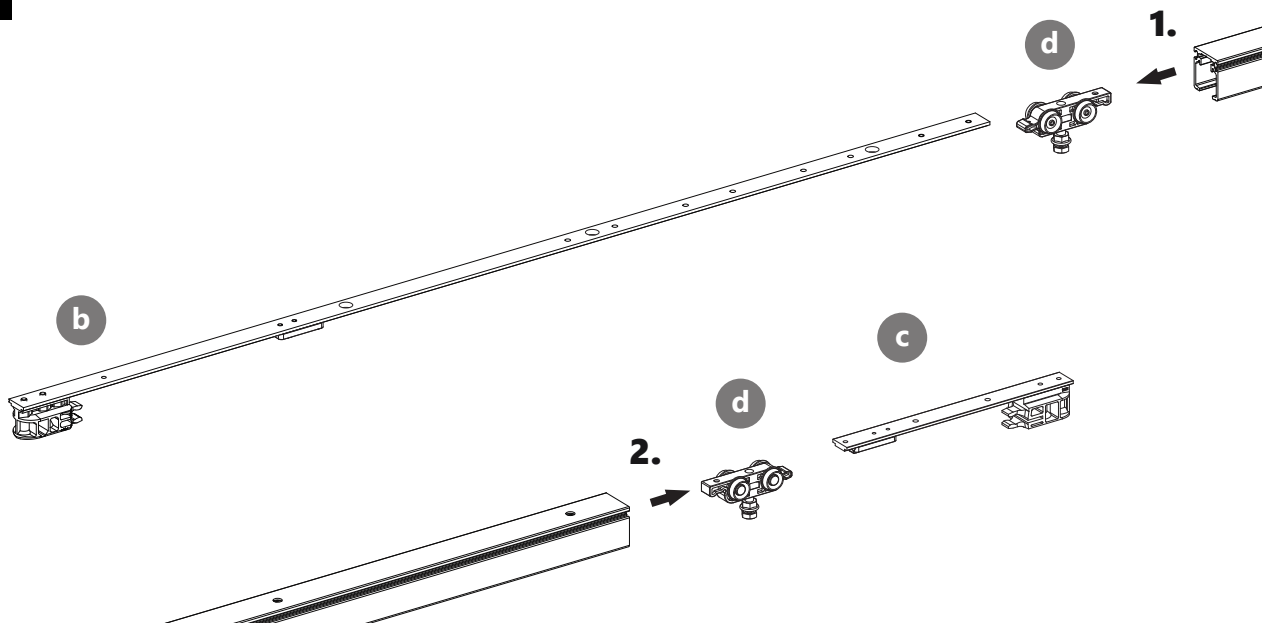
INSTALLATION INSTRUCTION

SLIDING DOOR HARDWARE

i Content



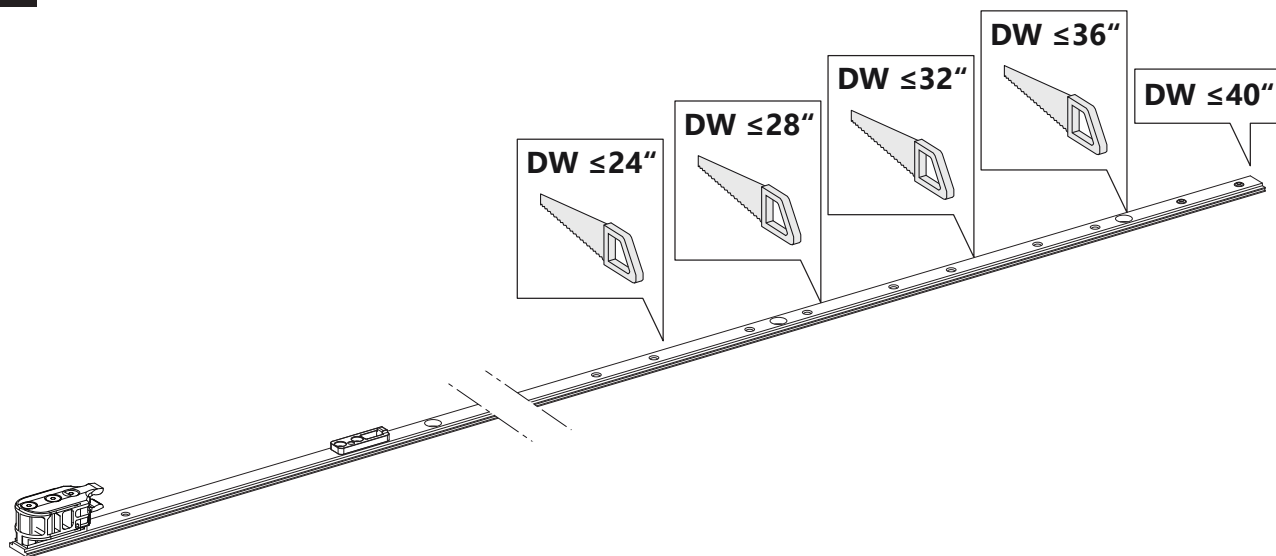
1



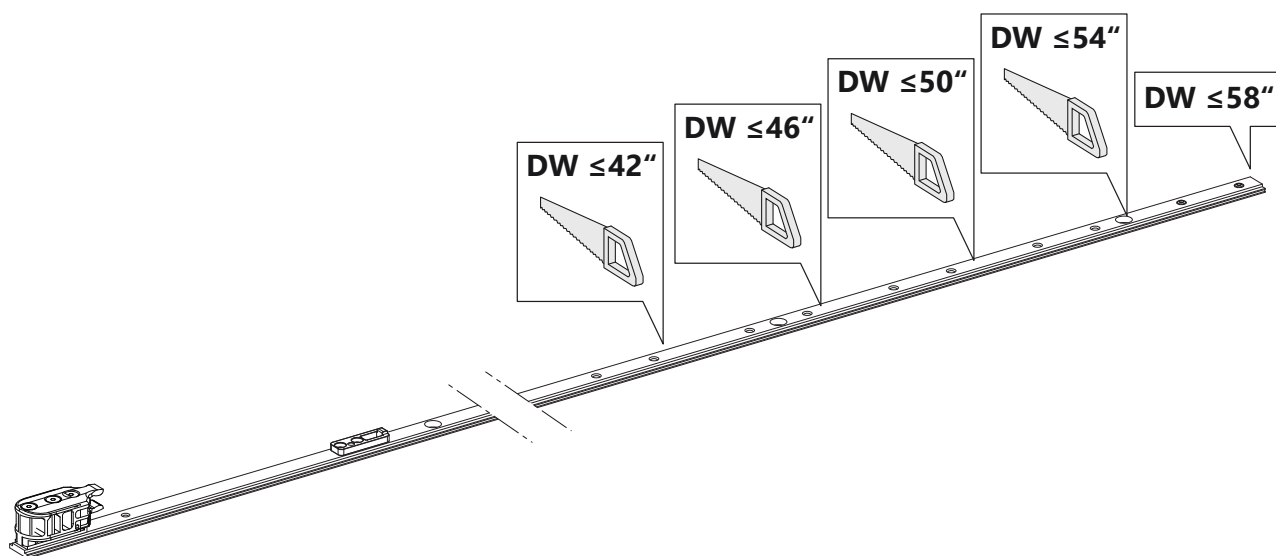
INSTALLATION INSTRUCTION

SLIDING DOOR HARDWARE

2 Version 1



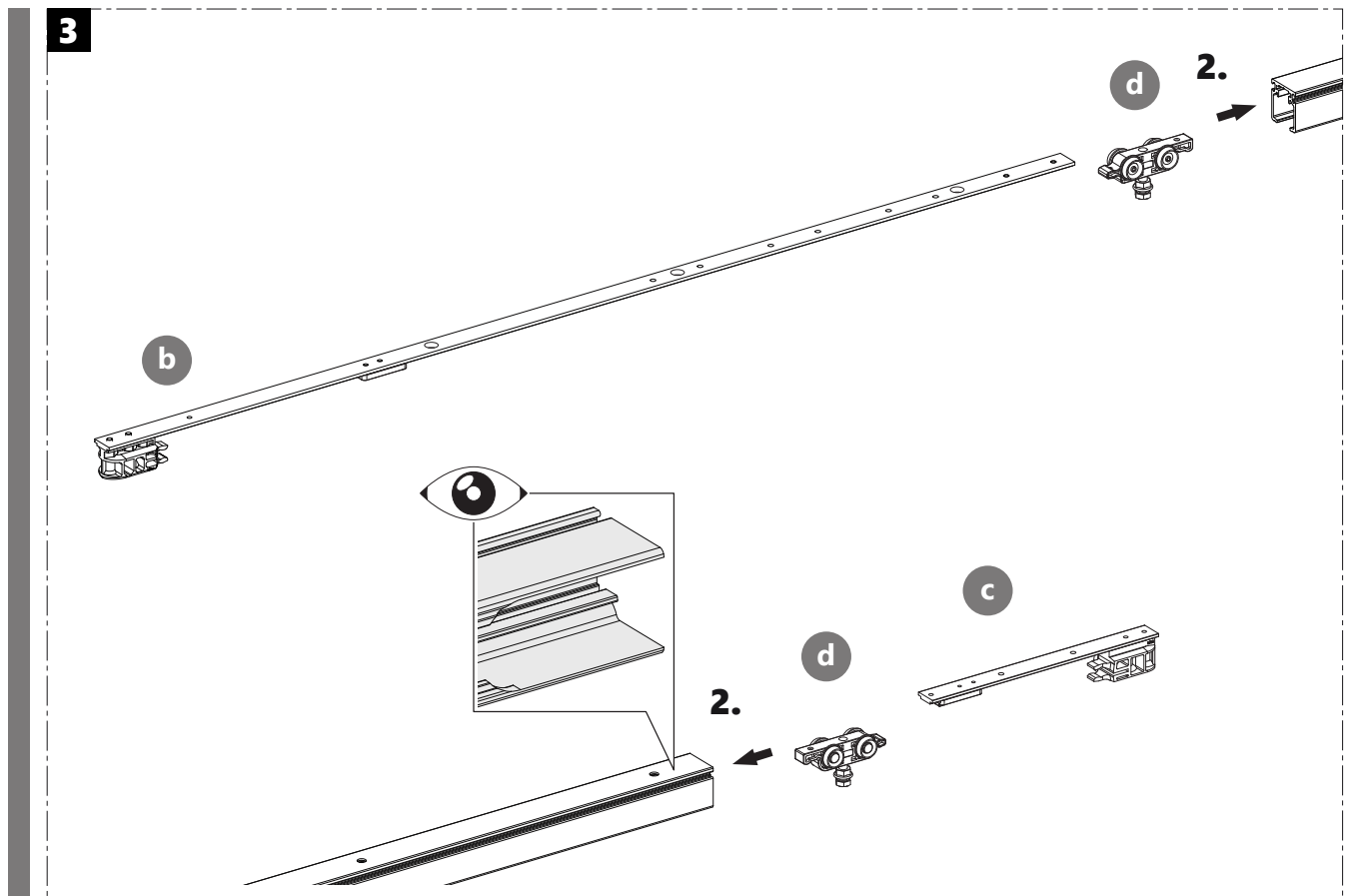
Version 2



When using a softclose, synchro or push to open, consult the separately enclosed installation instructions.

INSTALLATION INSTRUCTION

SLIDING DOOR HARDWARE

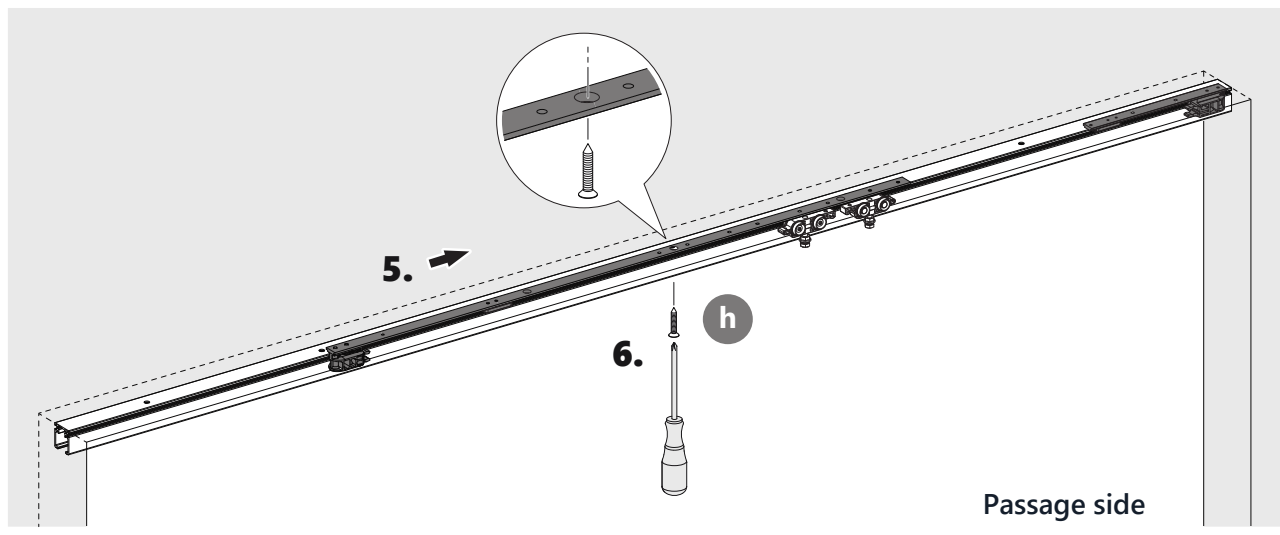
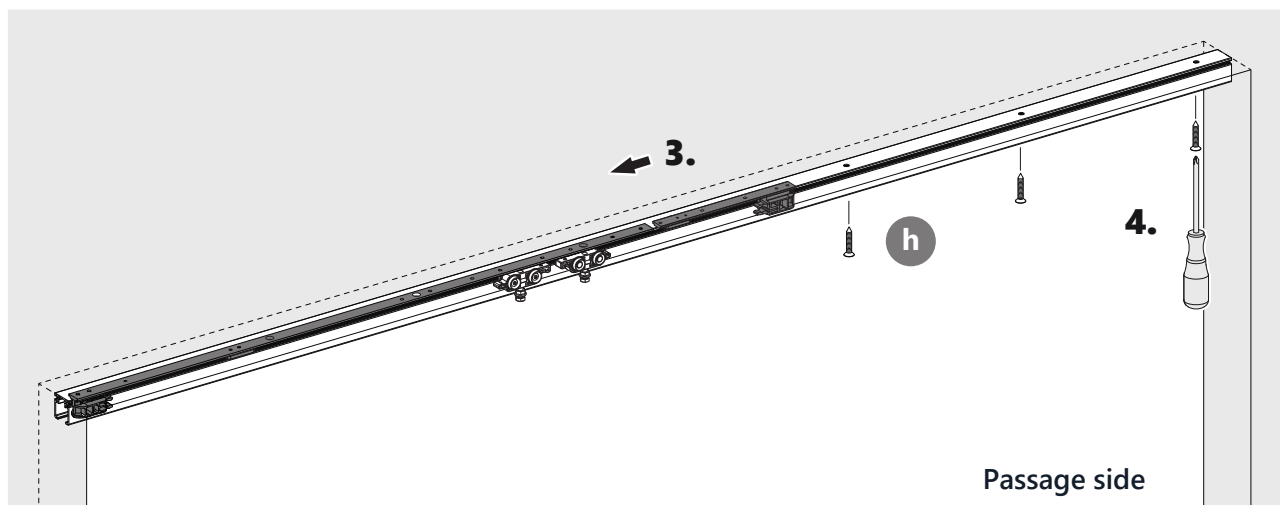
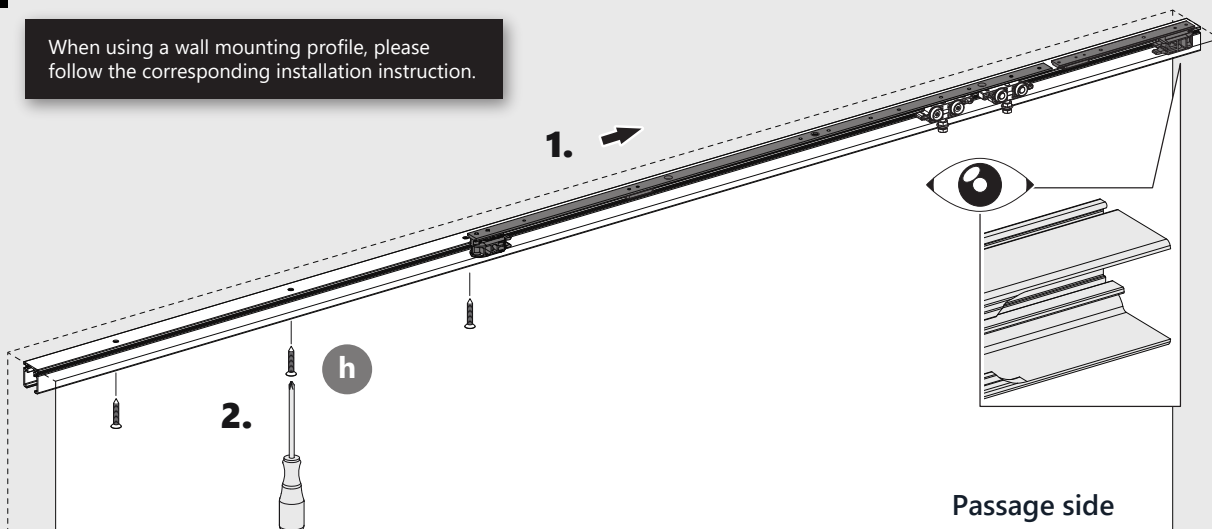


INSTALLATION INSTRUCTION

SLIDING DOOR HARDWARE

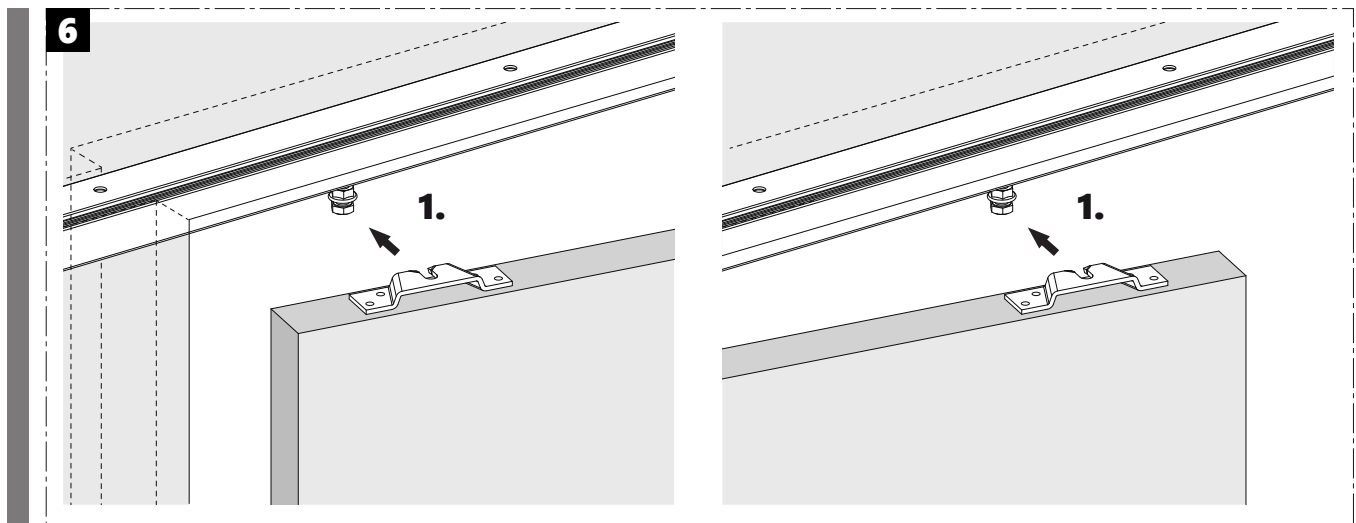
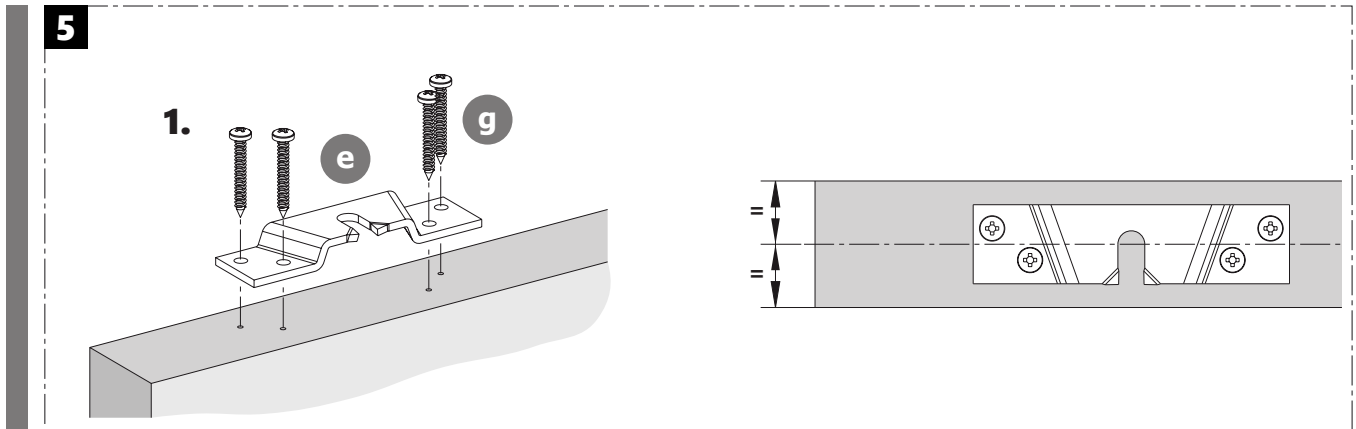
4

When using a wall mounting profile, please follow the corresponding installation instruction.



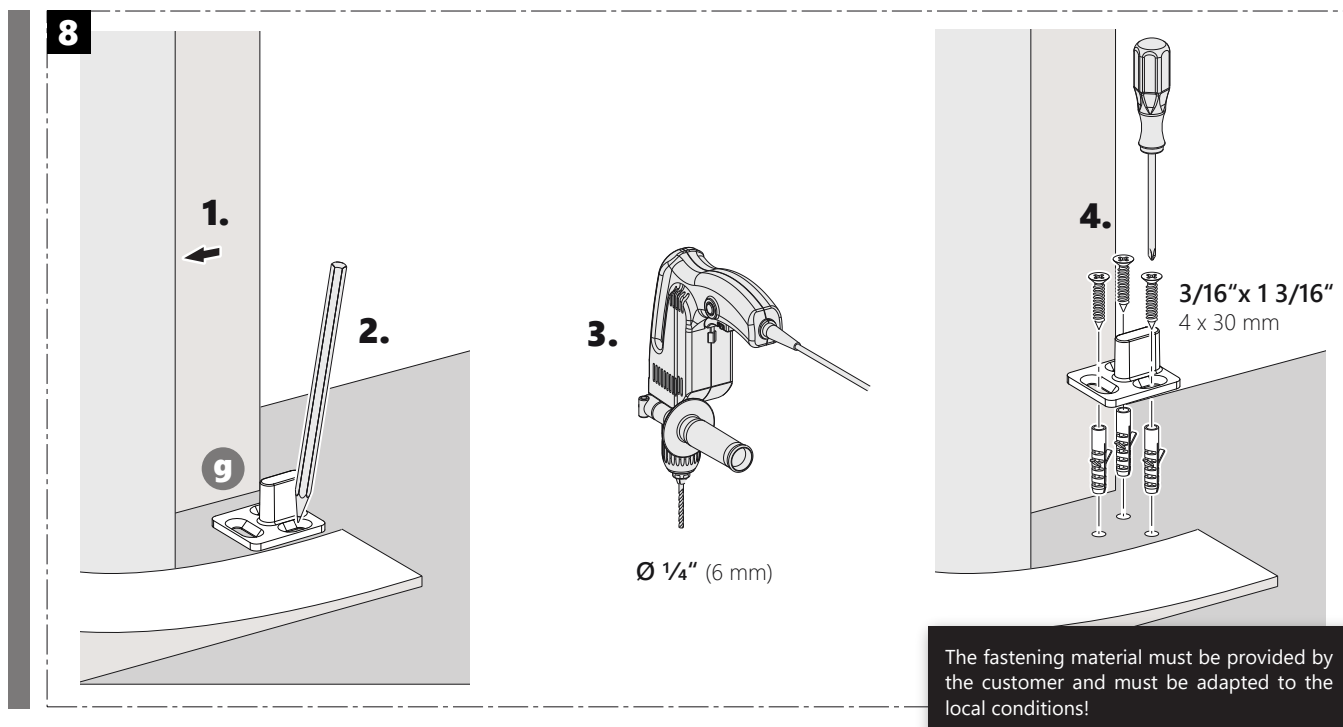
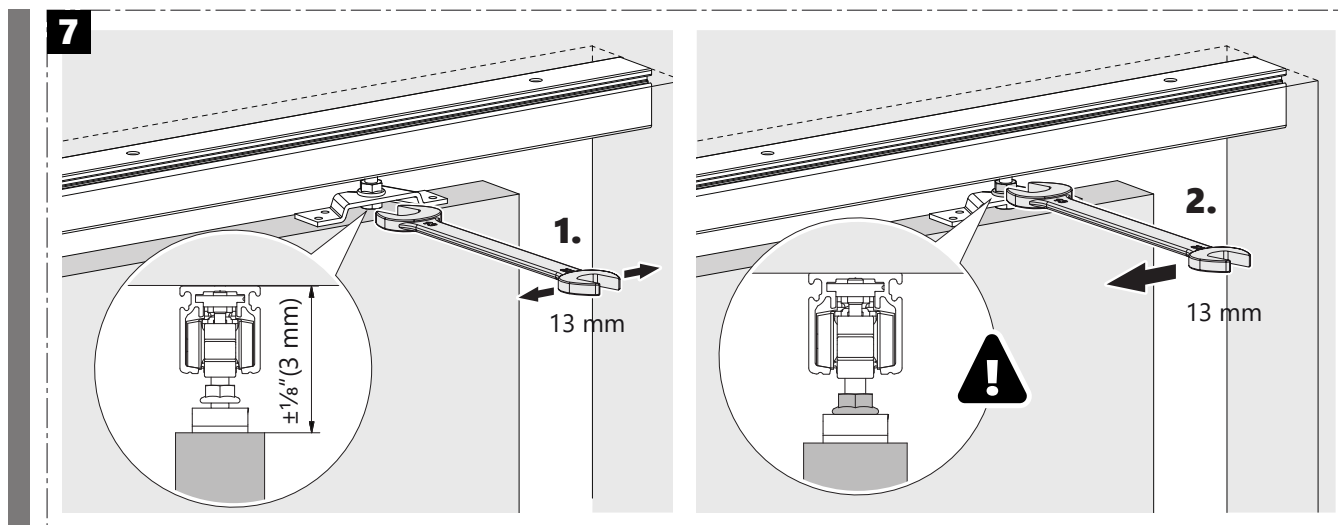
INSTALLATION INSTRUCTION

SLIDING DOOR HARDWARE



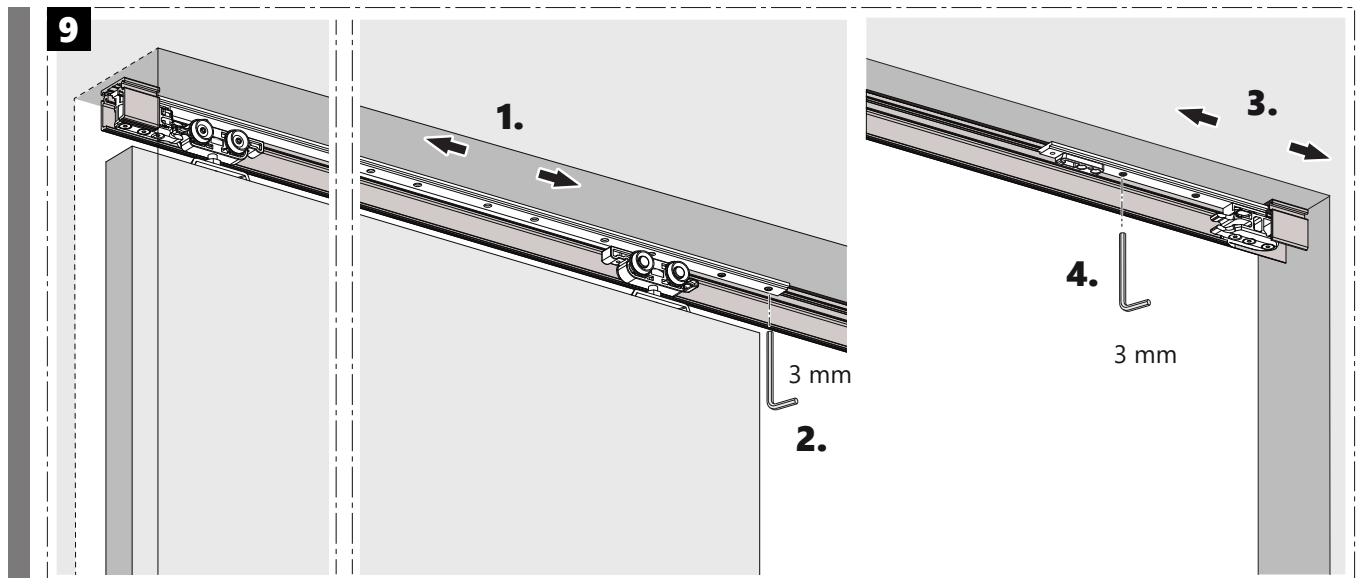
INSTALLATION INSTRUCTION

SLIDING DOOR HARDWARE



INSTALLATION INSTRUCTION

SLIDING DOOR HARDWARE



Replacement of parts through the revision opening

