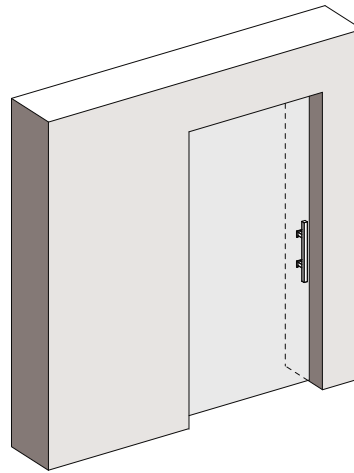


INSTALLATION INSTRUCTION

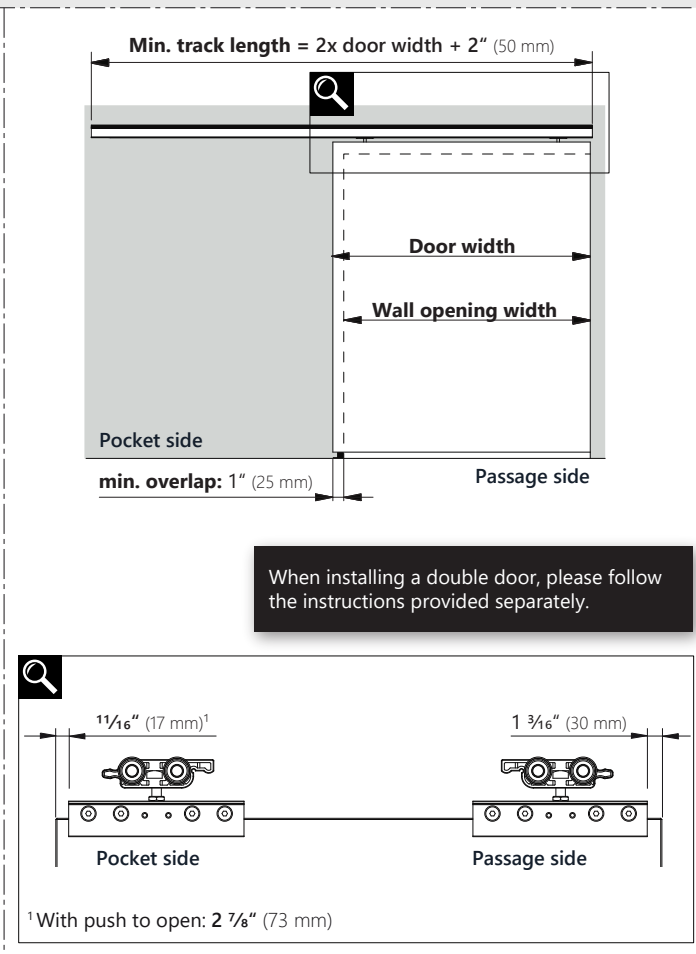
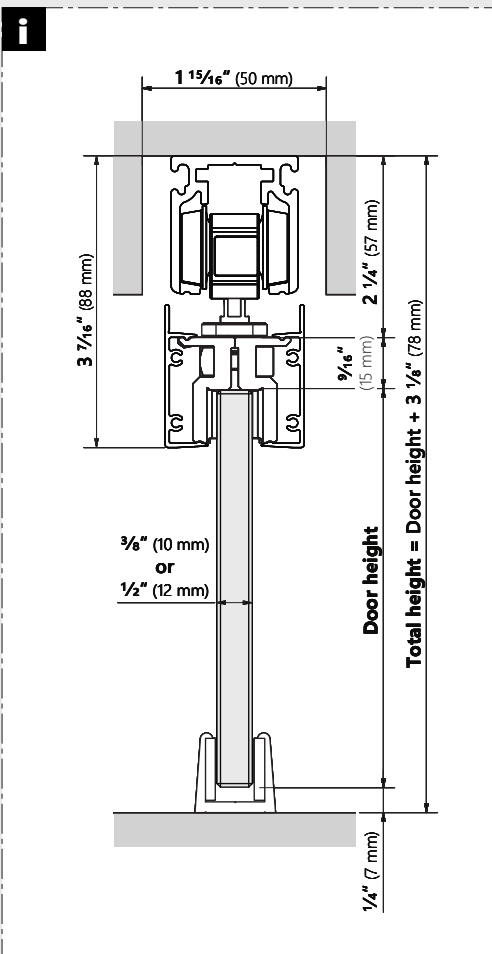
SLIDING DOOR HARDWARE

article number 0160225



Sliding door hardware and valance for frameless glass doors up to 176 lb (80 kg)*

* The maximum door weight can be increased to 265 lb (120 kg) with upgraded wheels if no limiting accessories are used.



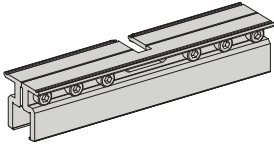
INSTALLATION INSTRUCTION

SLIDING DOOR HARDWARE

i Content

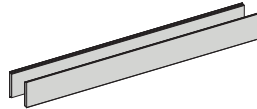
2x

a



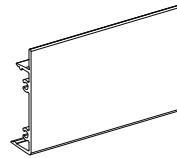
2x

b



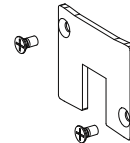
2x

c



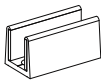
1x

d



1x

e



1x

f



2x

g



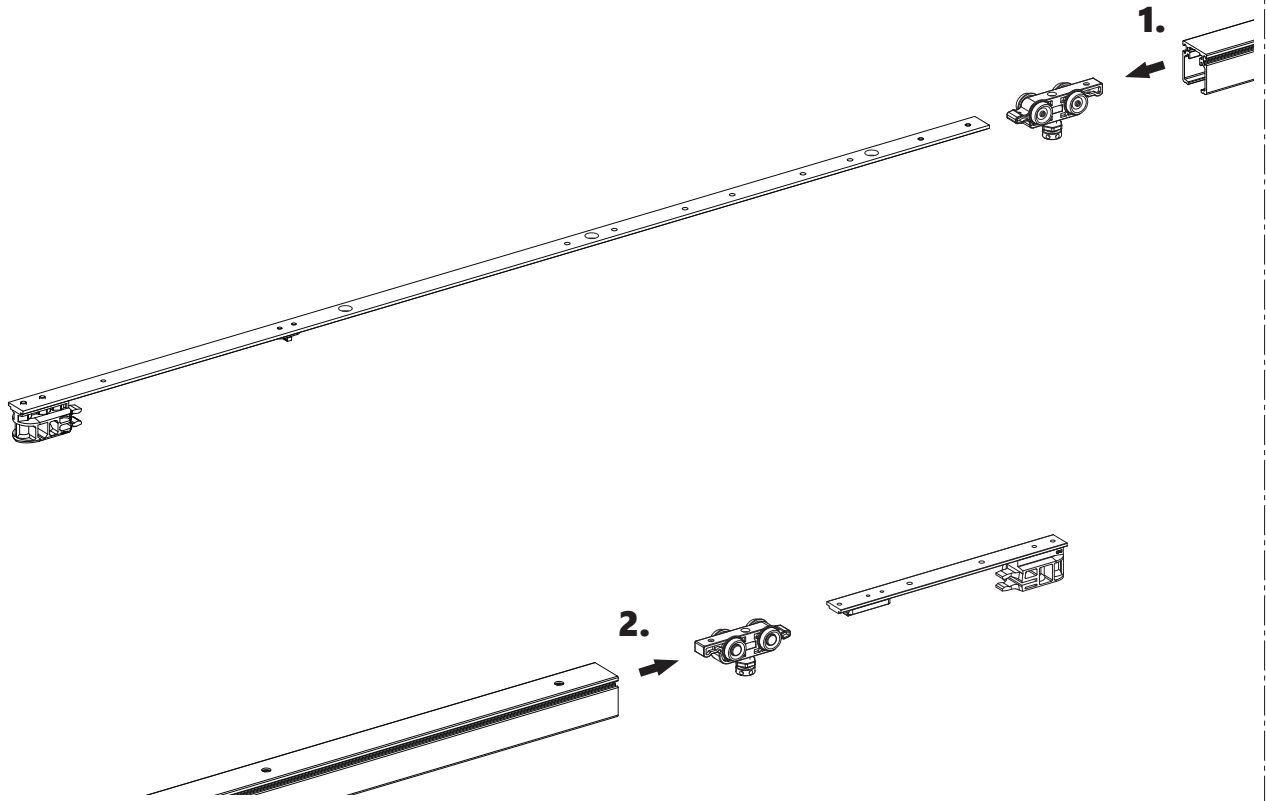
6 mm + 13 mm



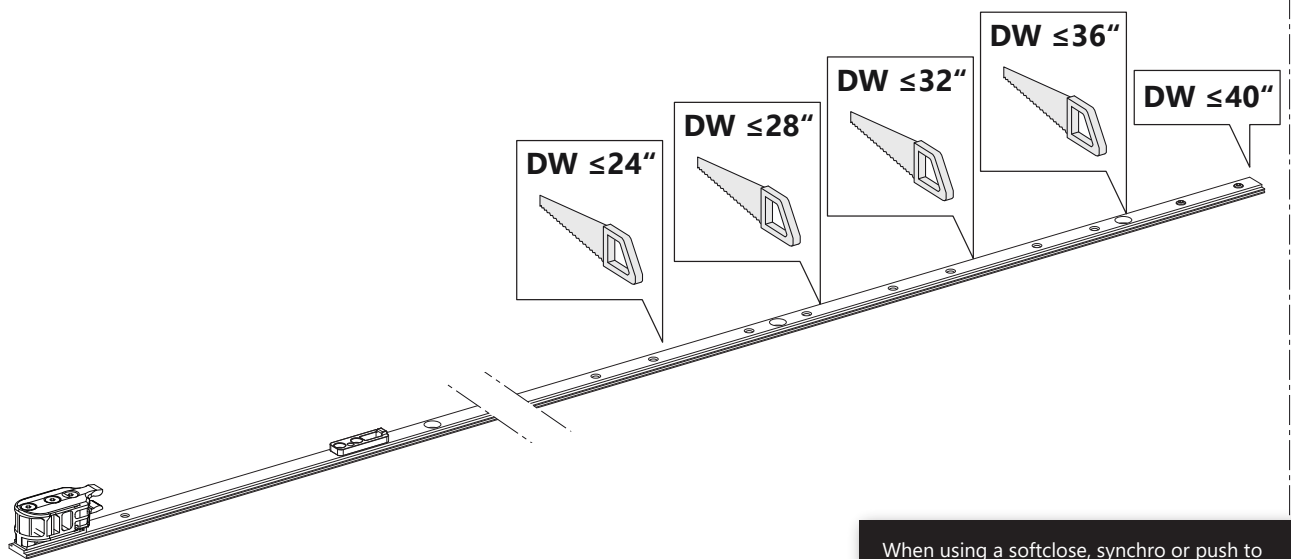
INSTALLATION INSTRUCTION

SLIDING DOOR HARDWARE

1



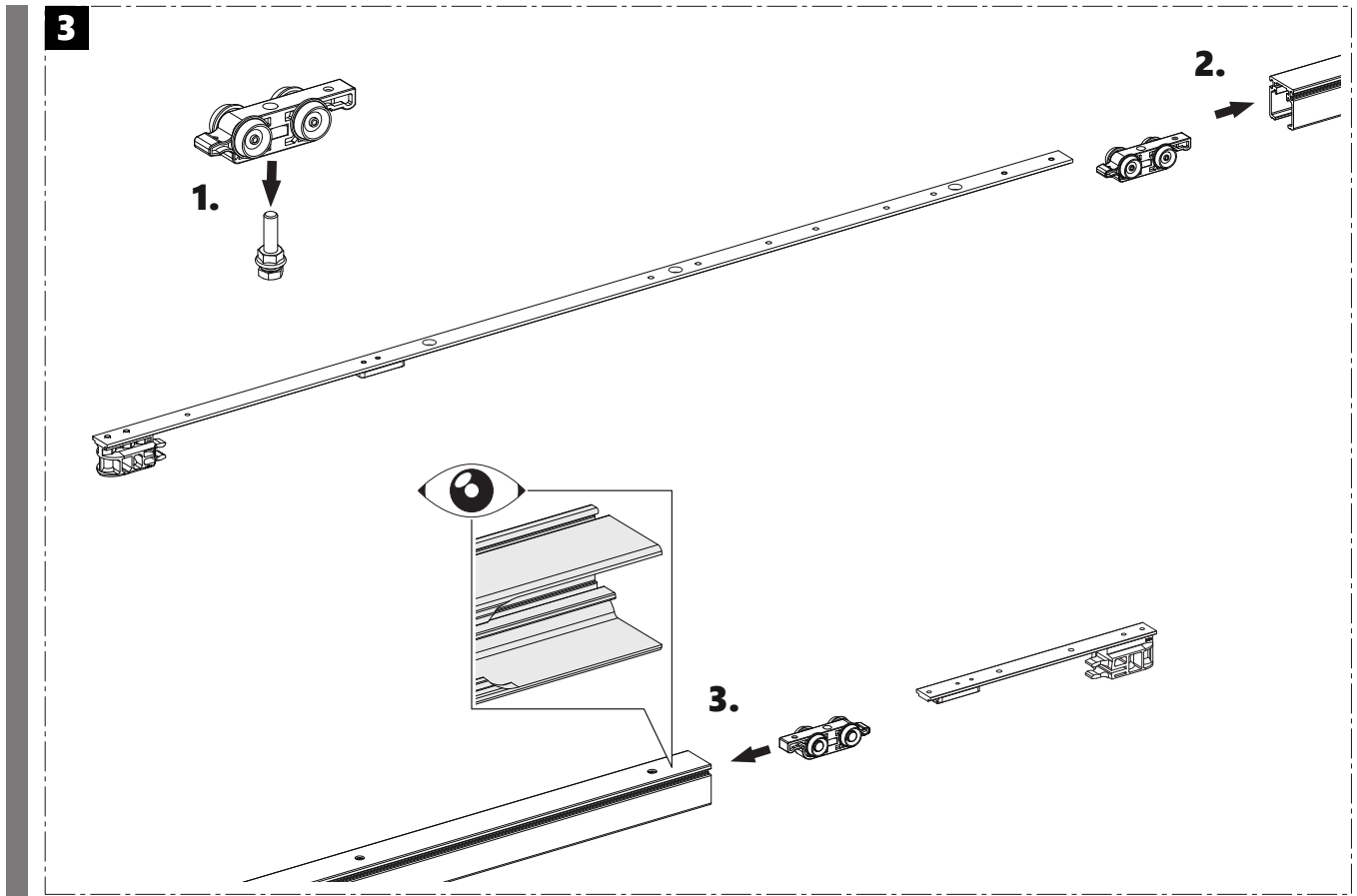
2



When using a softclose, synchro or push to open, consult the separately enclosed installation instructions.

INSTALLATION INSTRUCTION

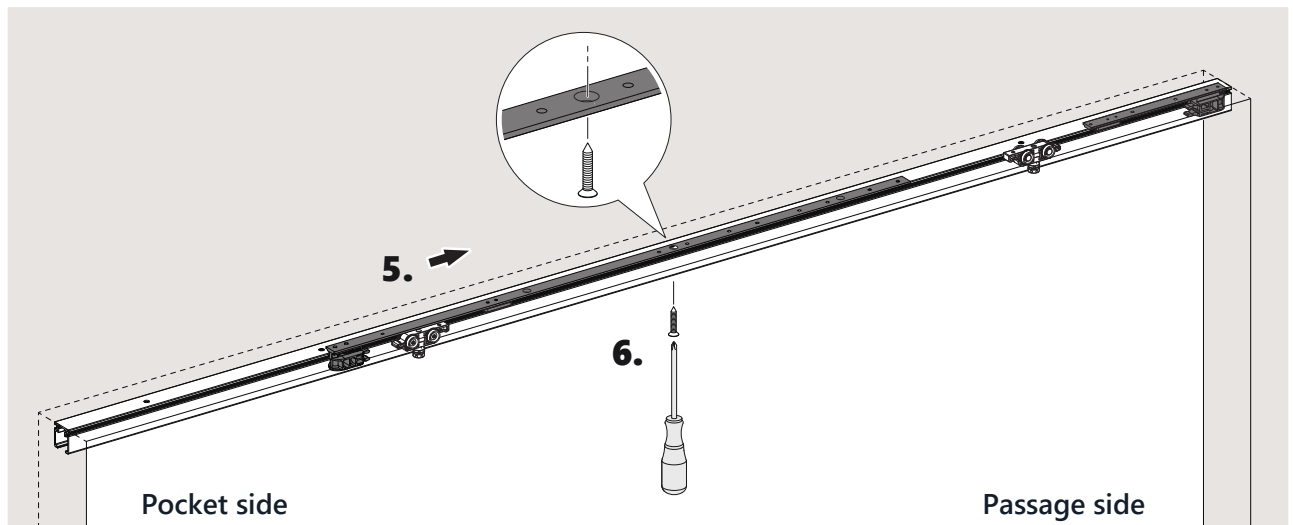
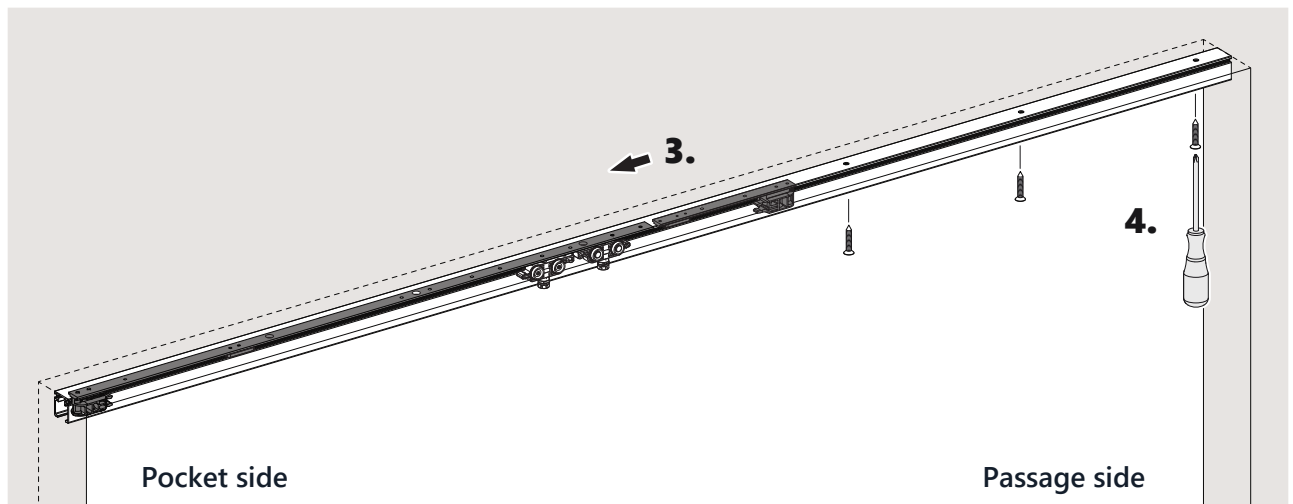
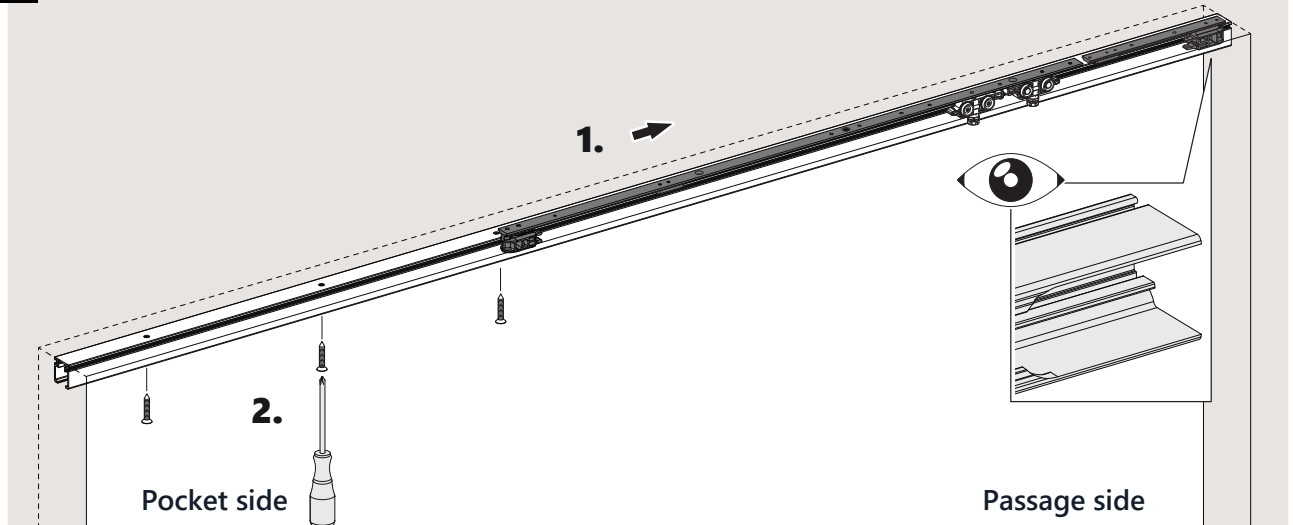
SLIDING DOOR HARDWARE



INSTALLATION INSTRUCTION

SLIDING DOOR HARDWARE

4



INSTALLATION INSTRUCTION

SLIDING DOOR HARDWARE

5



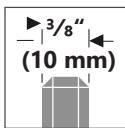
All components including the glass pane must be at room temperature!



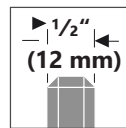
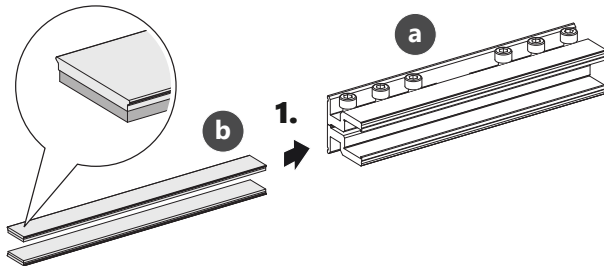
All surfaces must be free of dust and grease!



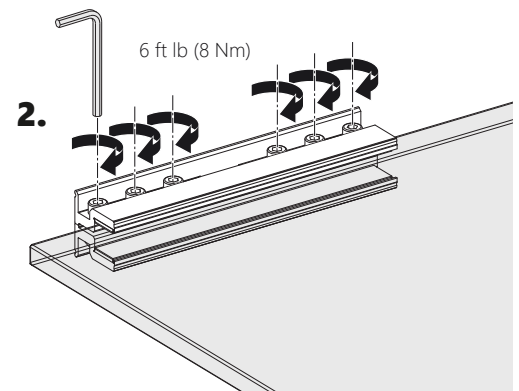
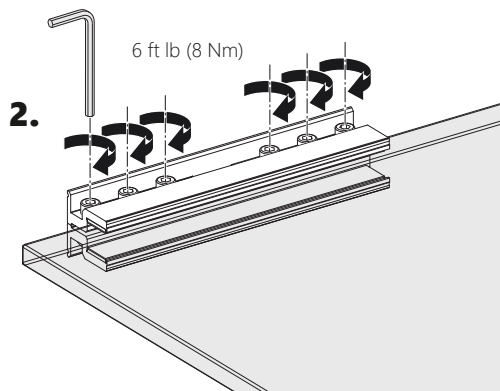
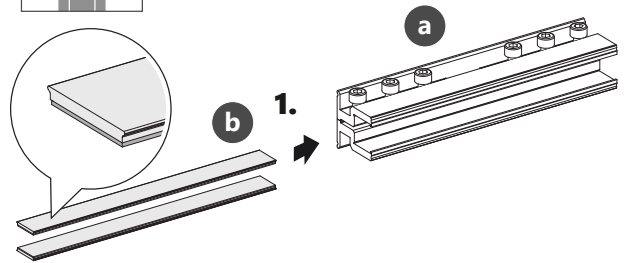
All surfaces must be dry!



Suitable for:
tempered glass
and laminated safety glass
(10 mm, 10,76 mm)

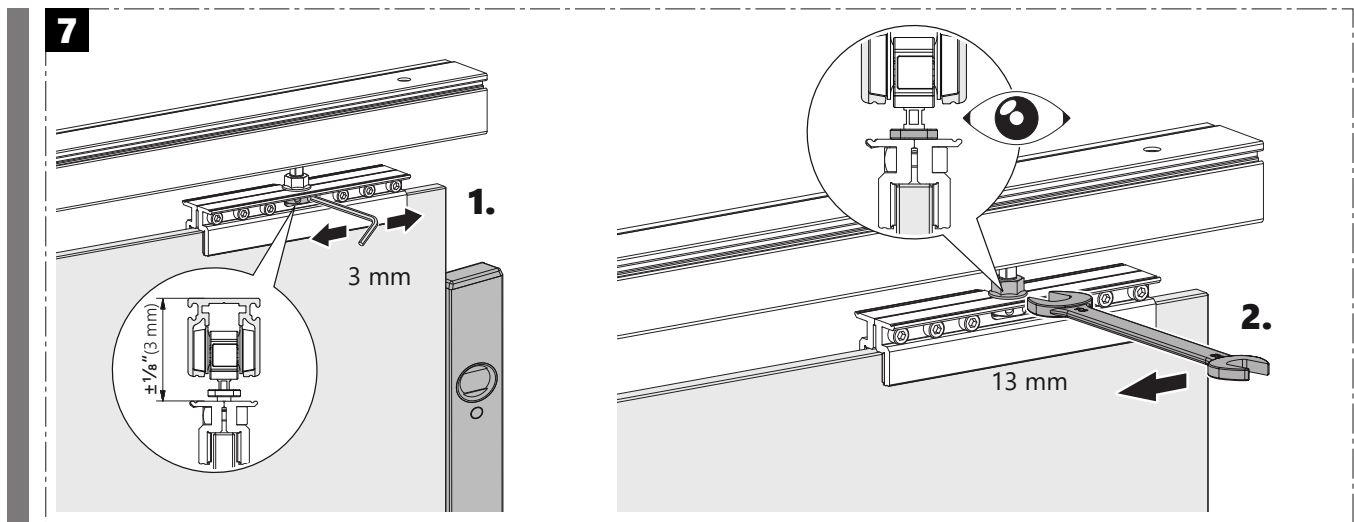
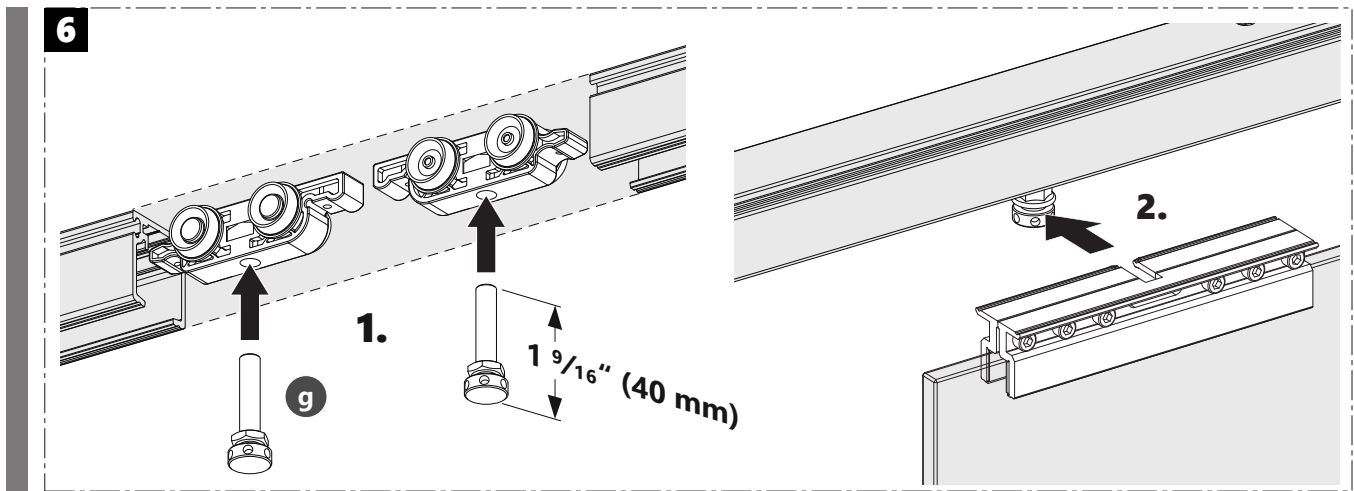


Suitable for:
tempered glass
and laminated safety glass
(12 mm, 12,76 mm)



INSTALLATION INSTRUCTION

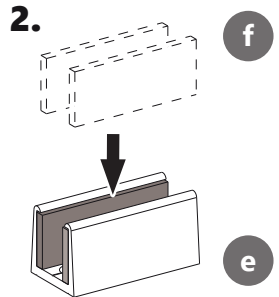
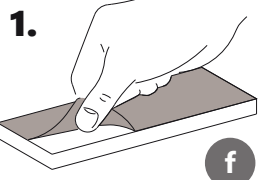
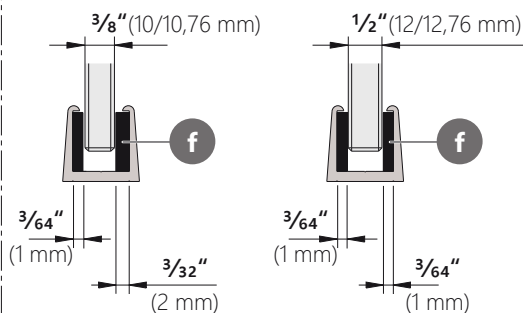
SLIDING DOOR HARDWARE



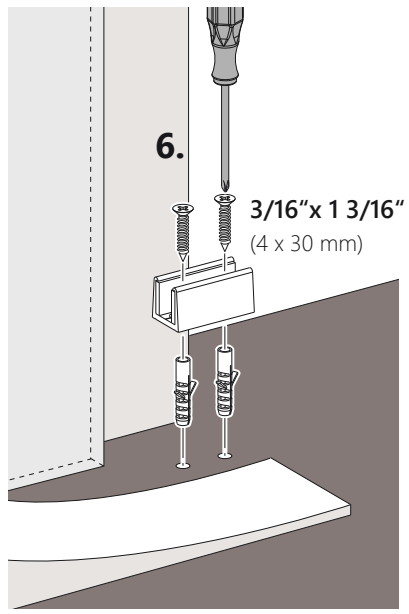
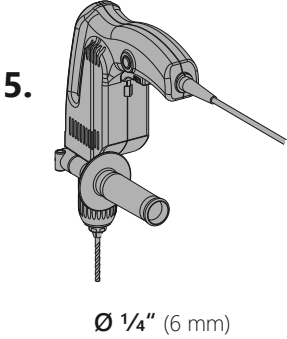
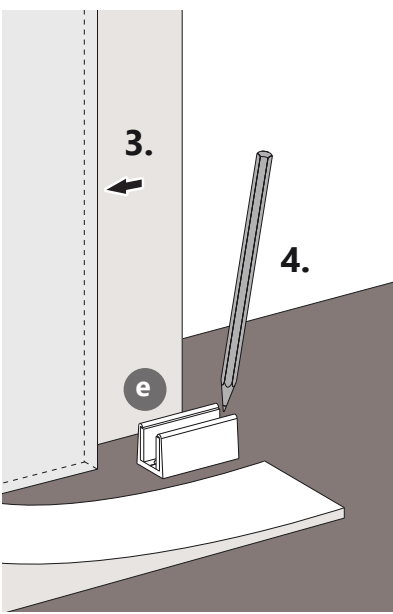
INSTALLATION INSTRUCTION

SLIDING DOOR HARDWARE

8

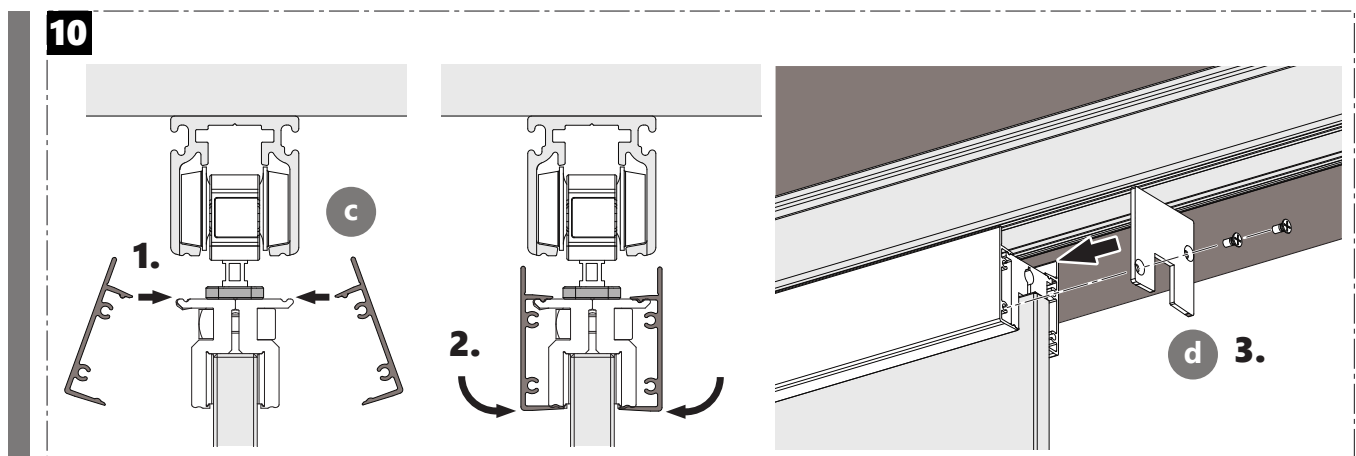
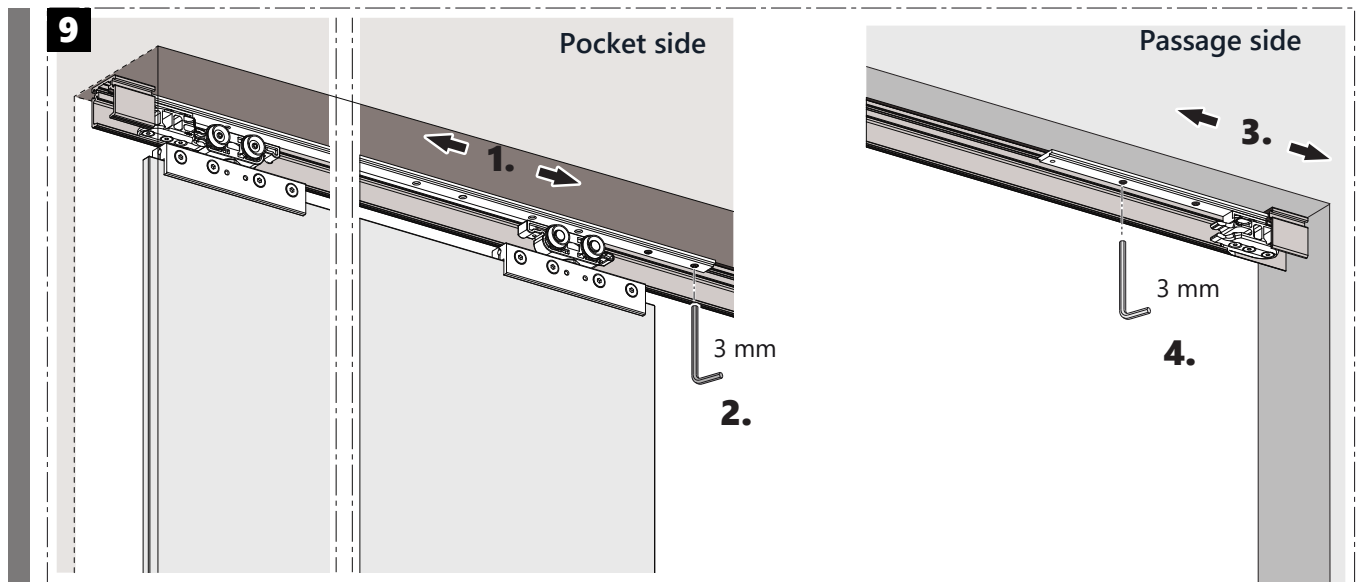


ATTENTION:
The fastening material must be provided by the customer and must be adapted to the local conditions!



INSTALLATION INSTRUCTION

SLIDING DOOR HARDWARE



INSTALLATION INSTRUCTION

SLIDING DOOR HARDWARE

Disassembly

