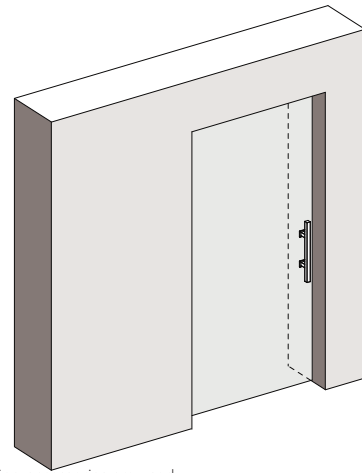


INSTALLATION INSTRUCTION

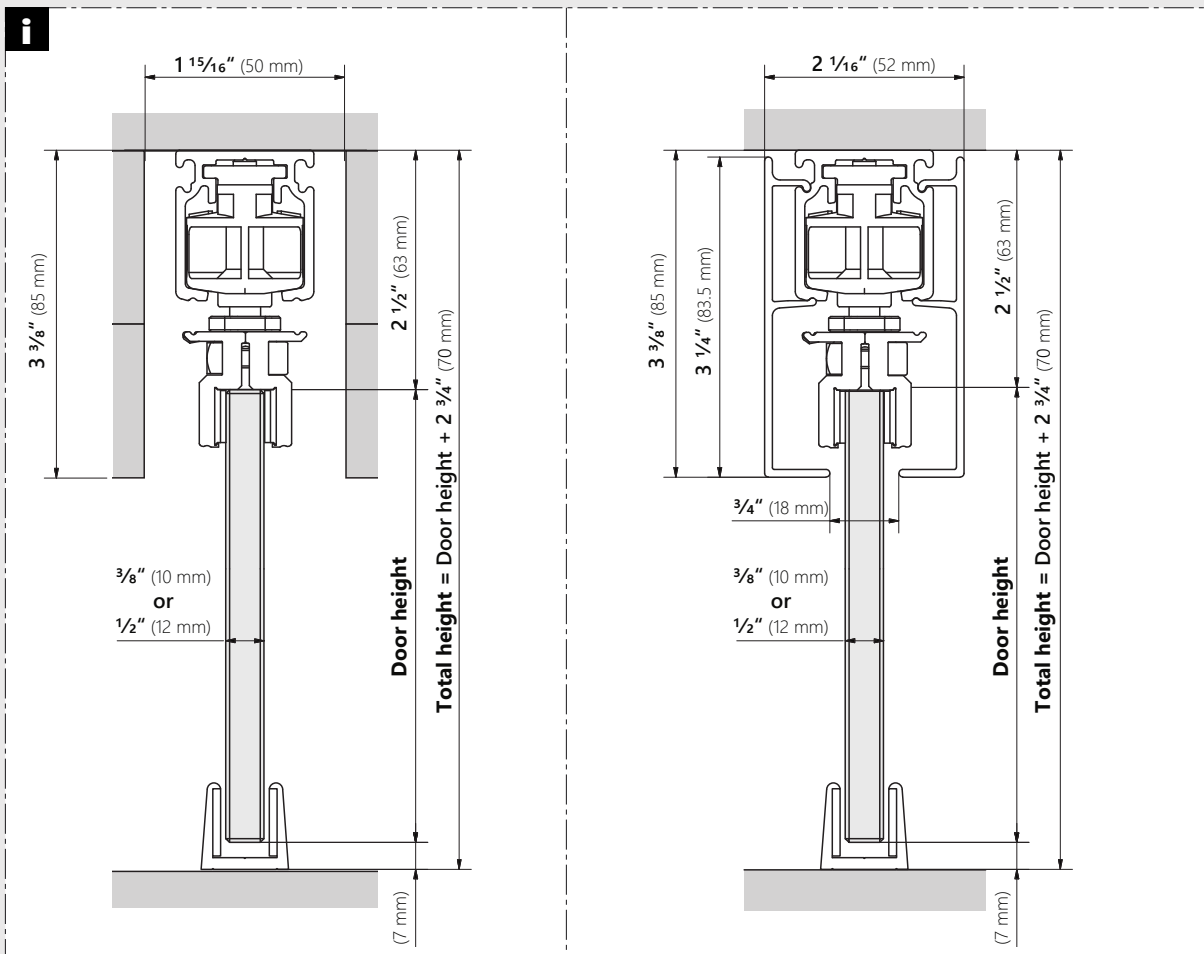
SLIDING DOOR HARDWARE

article number 0160224



Sliding door hardware
for frameless glass doors
up to 176 lb (80 kg)*

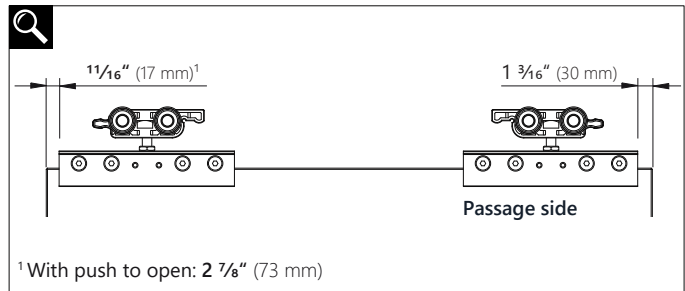
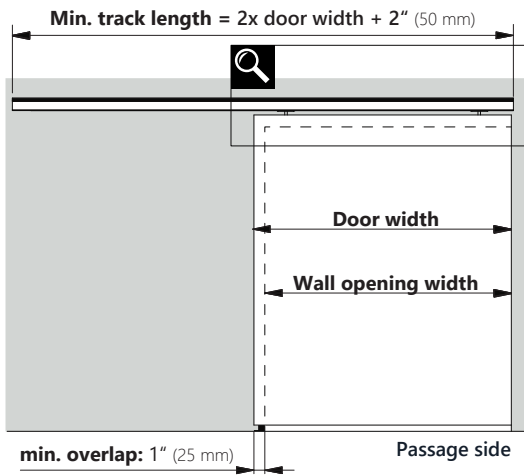
* The maximum door weight can be increased to 265 lb (120 kg) with upgraded wheels if no limiting accessories are used.



INSTALLATION INSTRUCTION

SLIDING DOOR HARDWARE

i

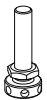


When installing a wood door, double door or the glass-clamb-valance, please follow the instructions provided separately.

i Content

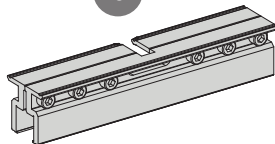
2x

a



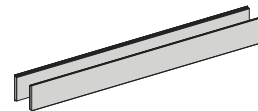
2x

b



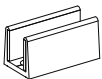
2x

c



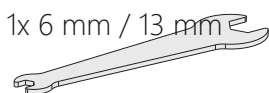
1x

d



1x

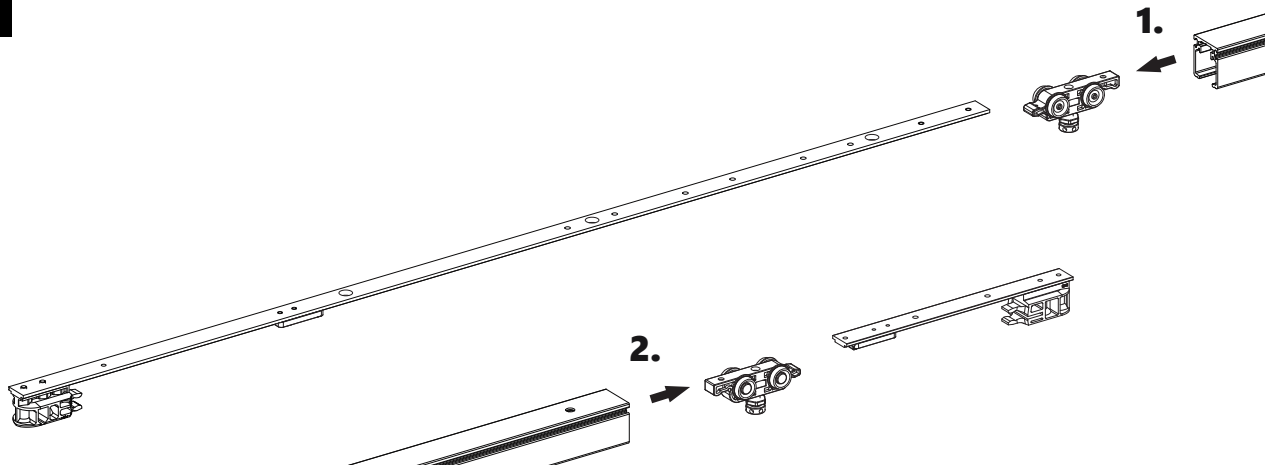
e



INSTALLATION INSTRUCTION

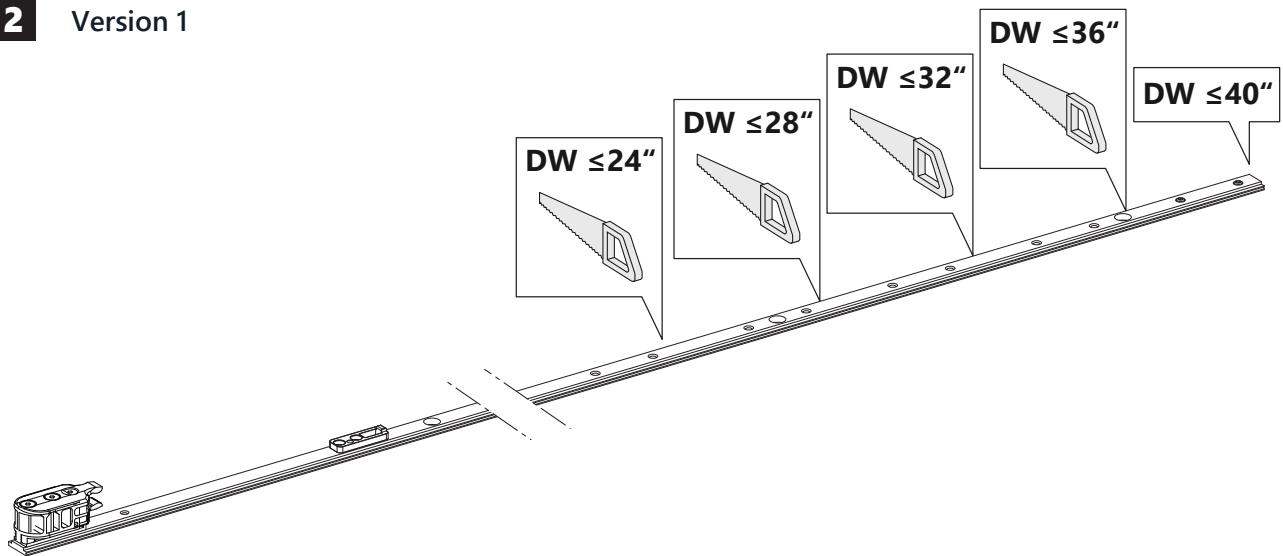
SLIDING DOOR HARDWARE

1

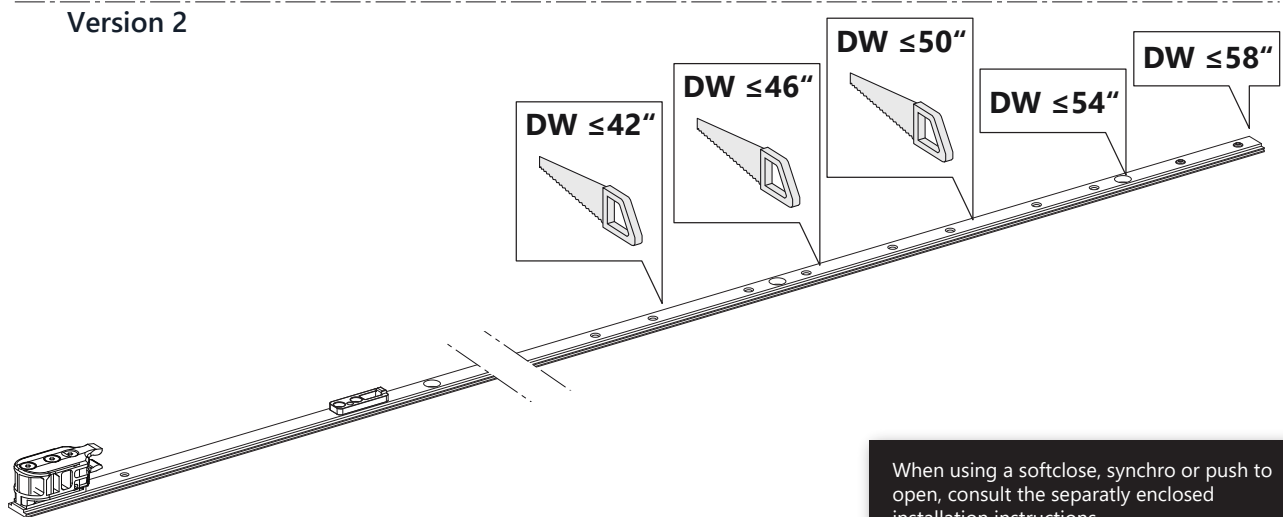


2

Version 1



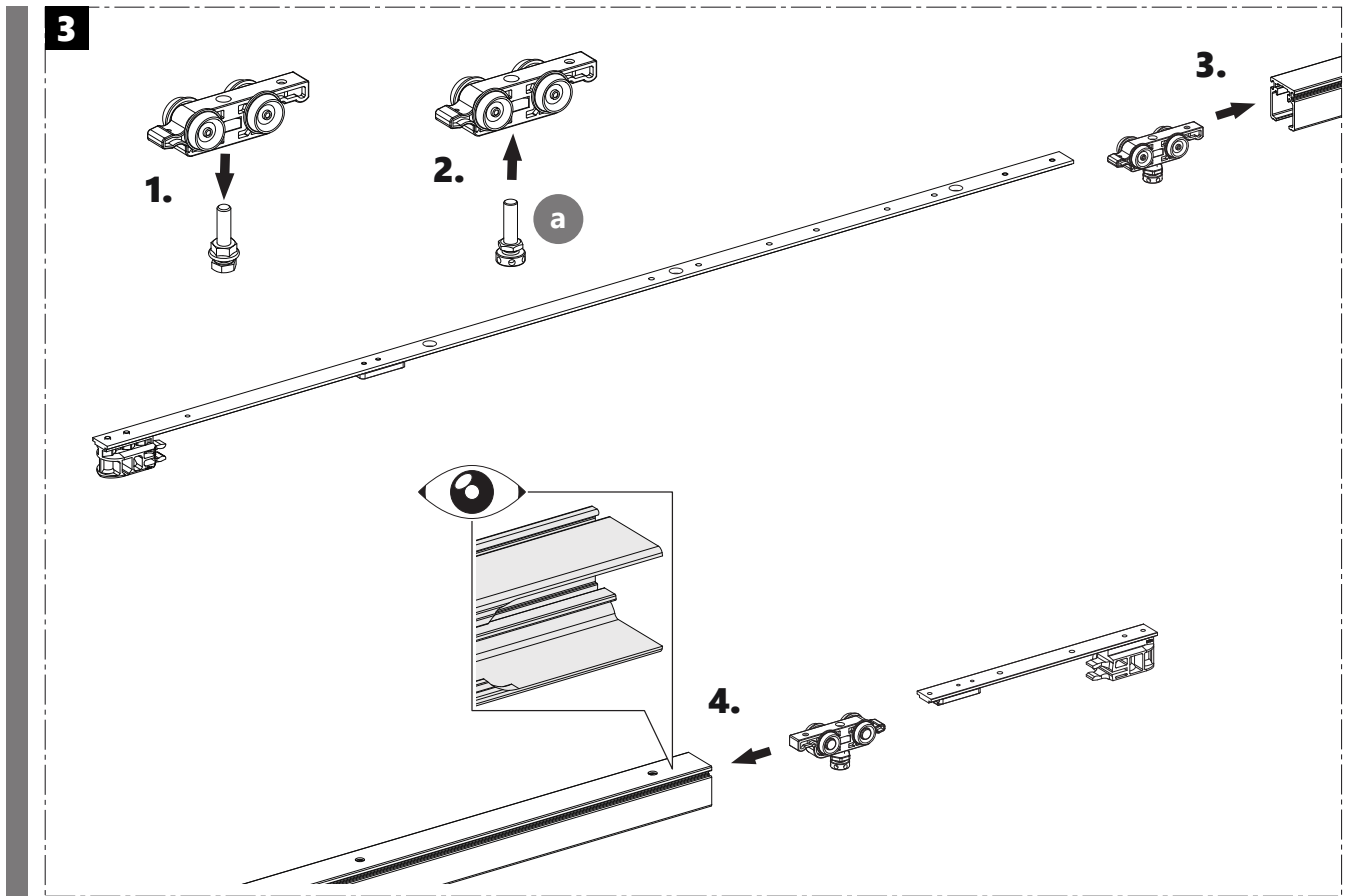
Version 2



When using a softclose, synchro or push to open, consult the separately enclosed installation instructions.

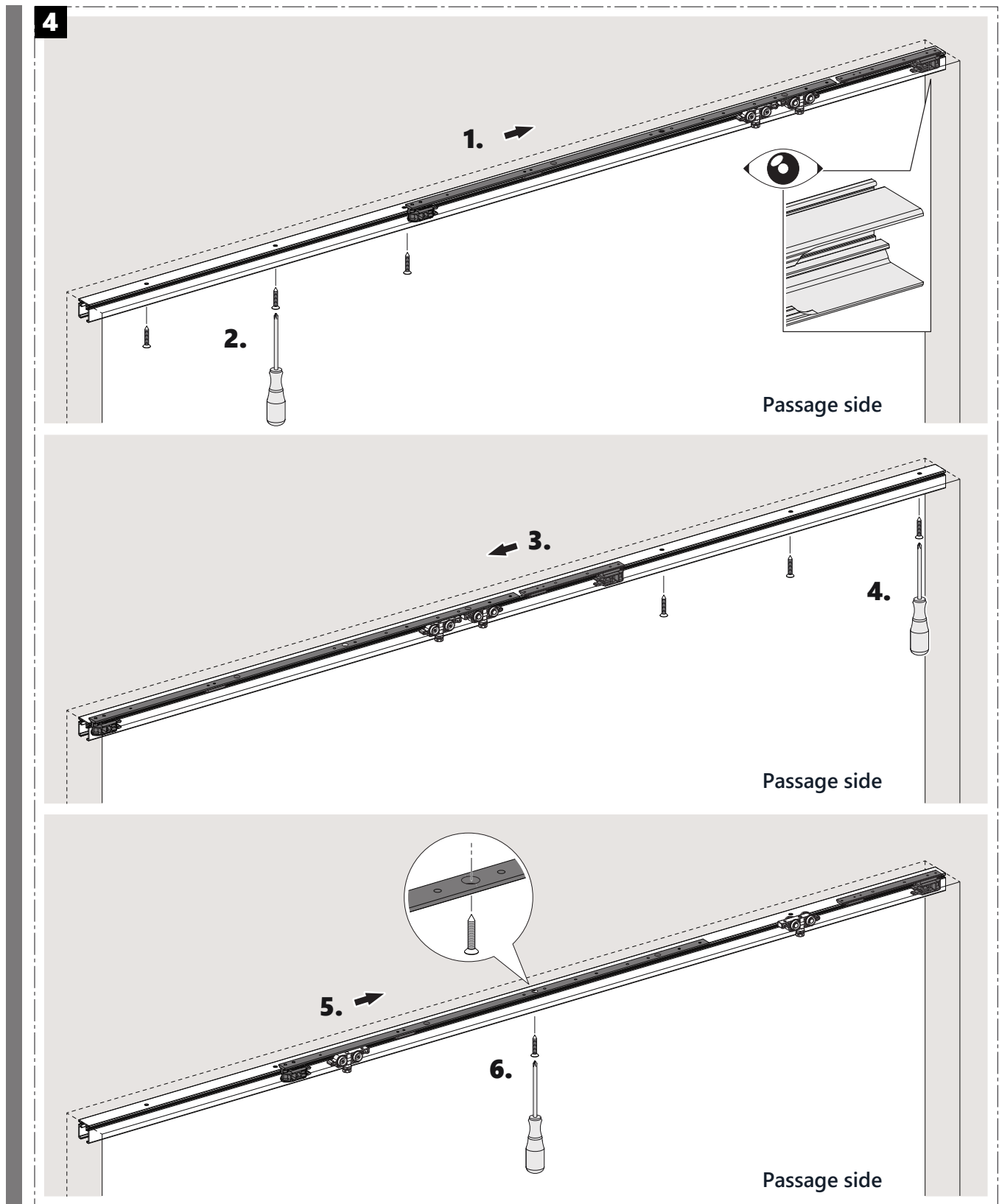
INSTALLATION INSTRUCTION

SLIDING DOOR HARDWARE



INSTALLATION INSTRUCTION

SLIDING DOOR HARDWARE



INSTALLATION INSTRUCTION

SLIDING DOOR HARDWARE

5



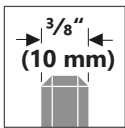
All components including the glass pane must be at room temperature!



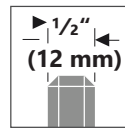
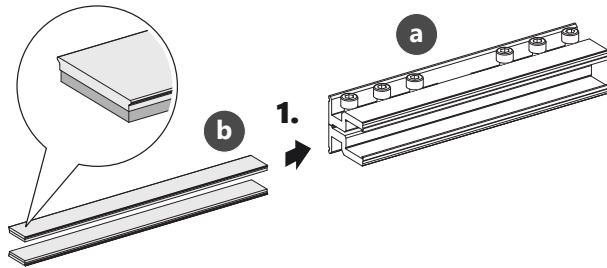
All surfaces must be free of dust and grease!



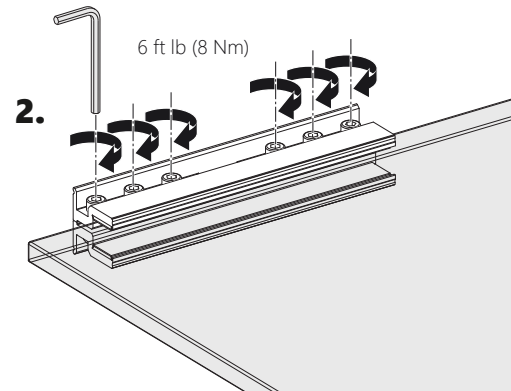
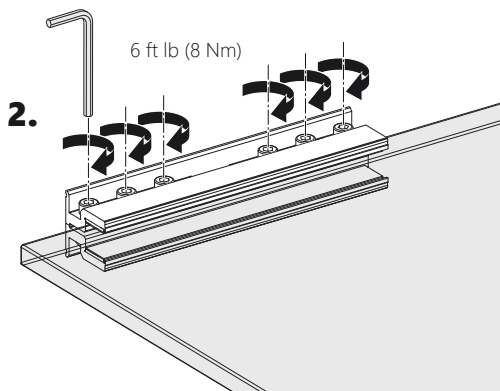
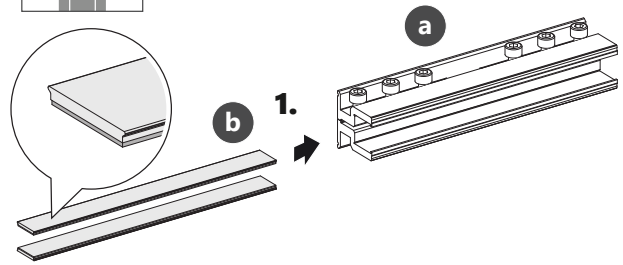
All surfaces must be dry!



Suitable for:
tempered glass
and laminated safety glass
(10 mm, 10,76 mm)

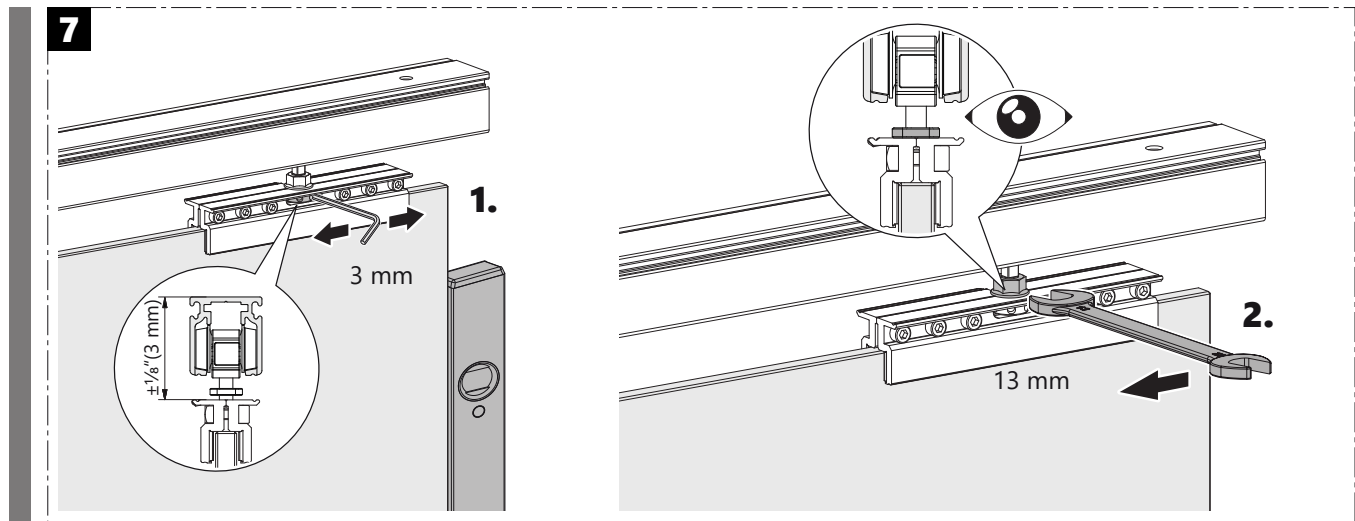
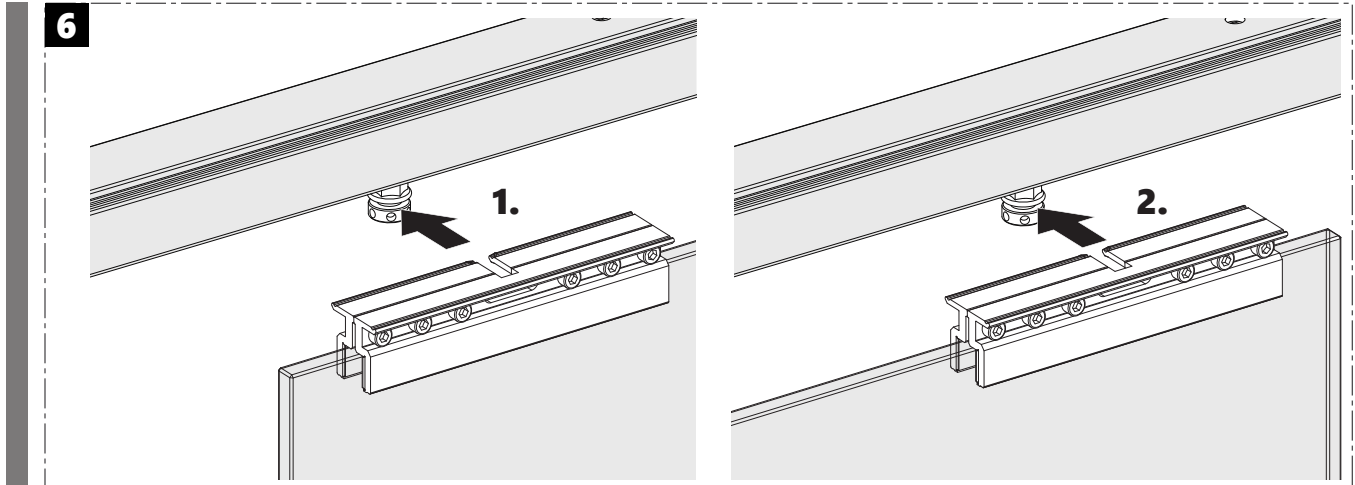


Suitable for:
tempered glass
and laminated safety glass
(12 mm, 12,76 mm)



INSTALLATION INSTRUCTION

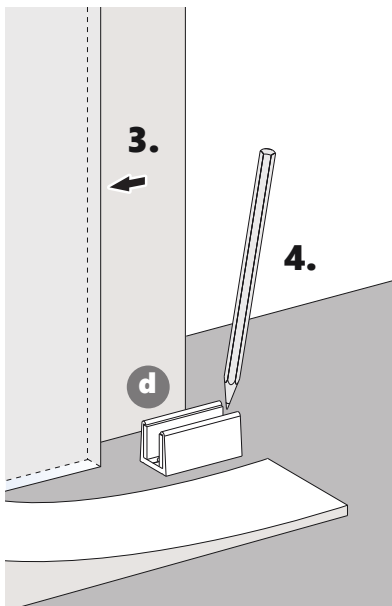
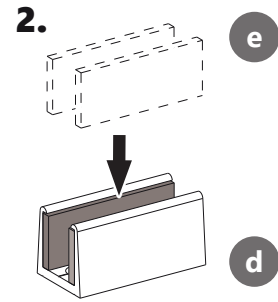
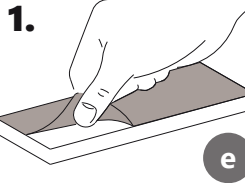
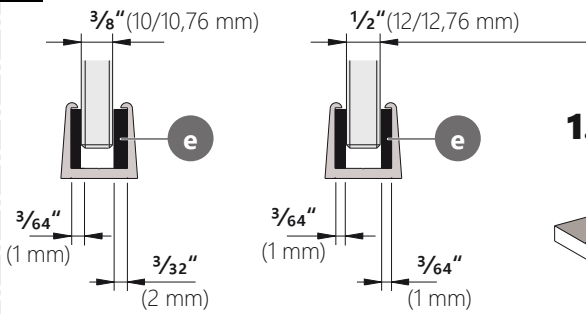
SLIDING DOOR HARDWARE



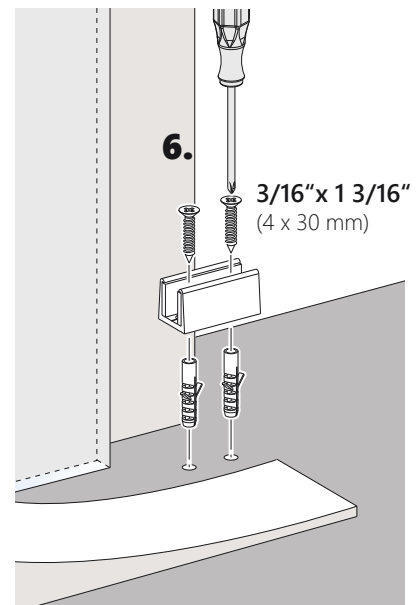
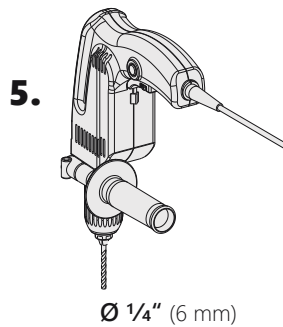
INSTALLATION INSTRUCTION

SLIDING DOOR HARDWARE

8

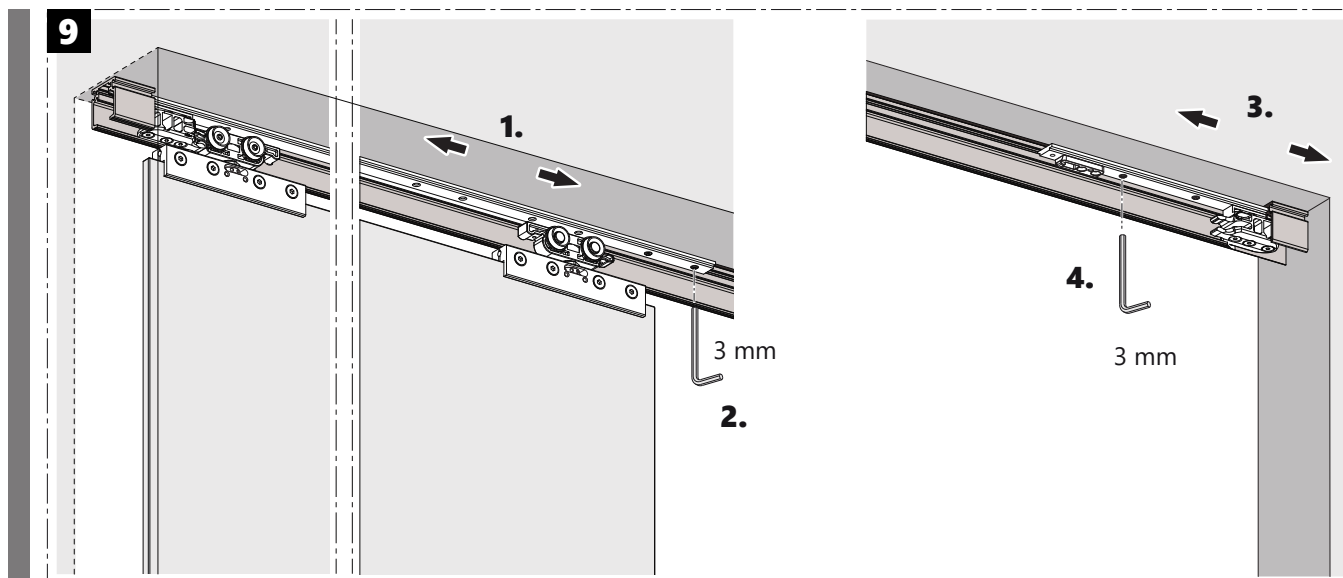


ATTENTION:
The fastening material must be provided by the customer and must be adapted to the local conditions!



INSTALLATION INSTRUCTION

SLIDING DOOR HARDWARE



Replacement of parts through the inspection opening

