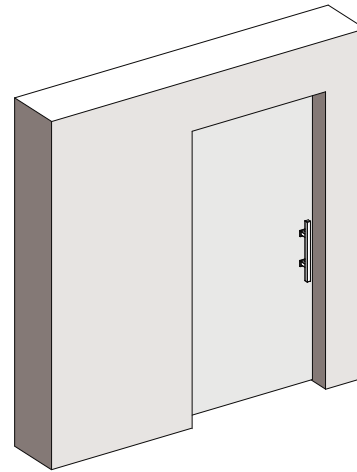


INSTALLATION INSTRUCTION

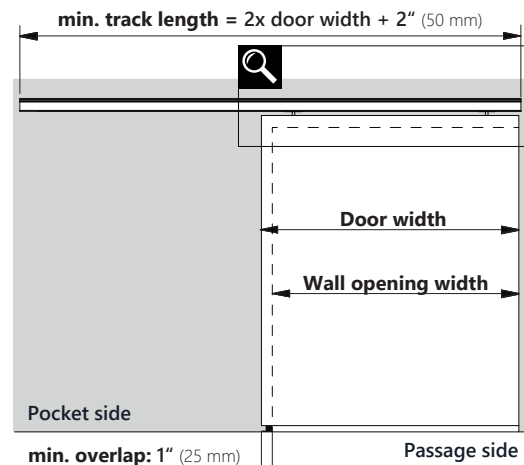
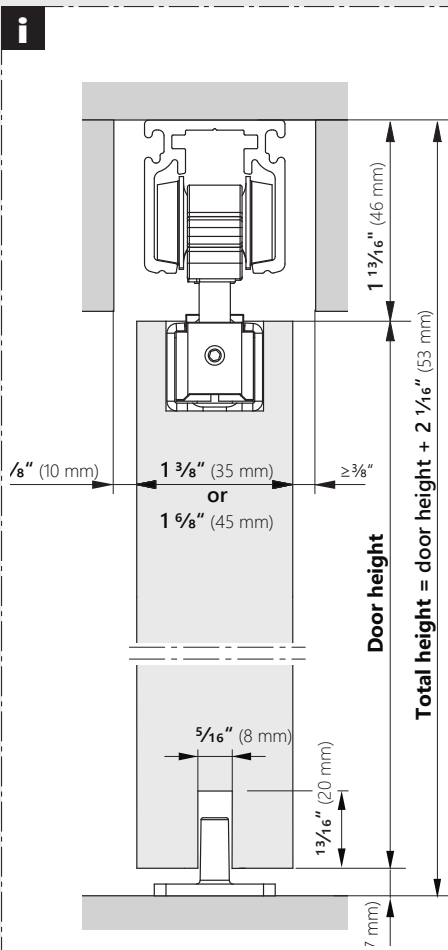
SLIDING DOOR HARDWARE

article number 0160222

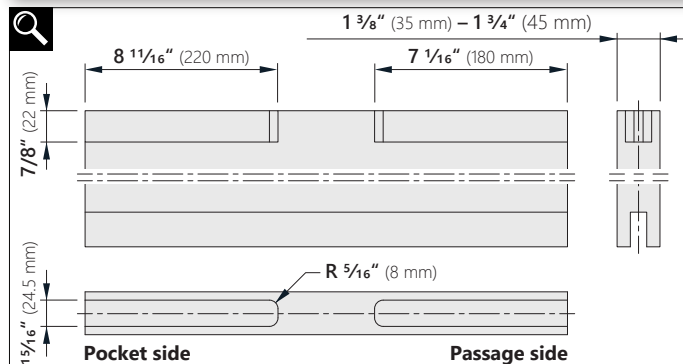


Sliding door hardware for routed wood doors up to 176 lb (80 kg)*

* The maximum door weight can be increased to 265 lb (120 kg) with upgraded wheels if no limiting accessories are used.



When installing a double door, please follow the instructions provided separately.



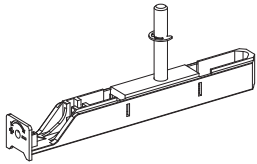
INSTALLATION INSTRUCTION

SLIDING DOOR HARDWARE

i Content

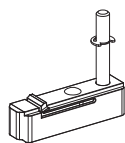
1x

a



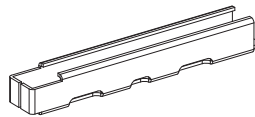
1x

b



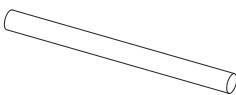
2x

c



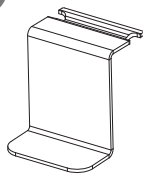
2x

d

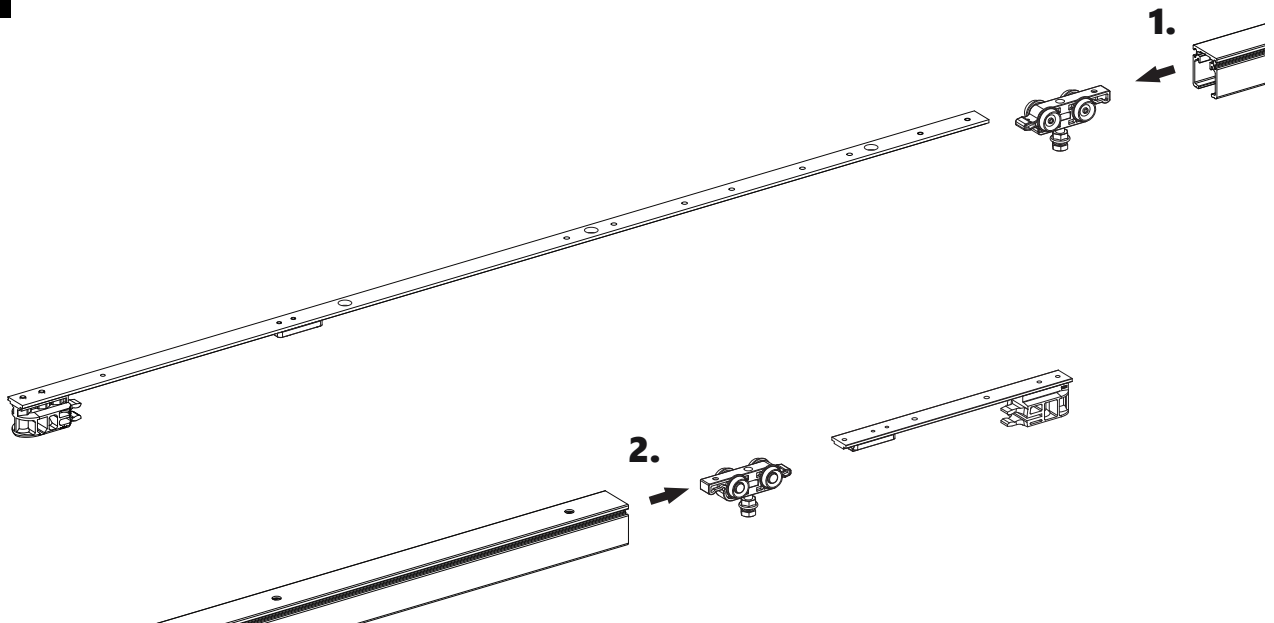


1x

e



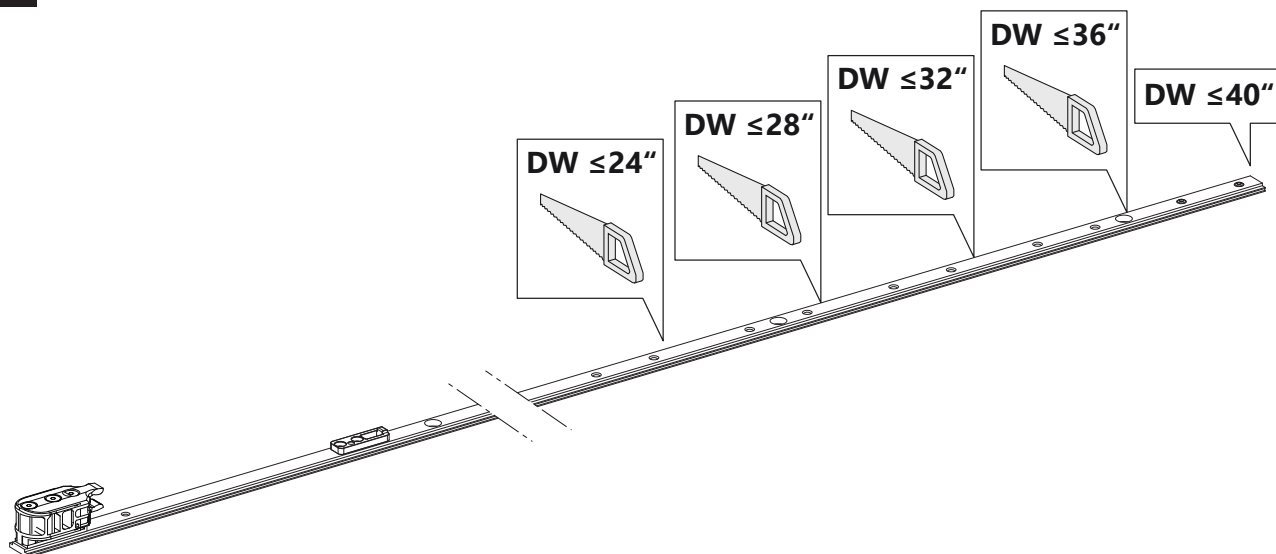
1



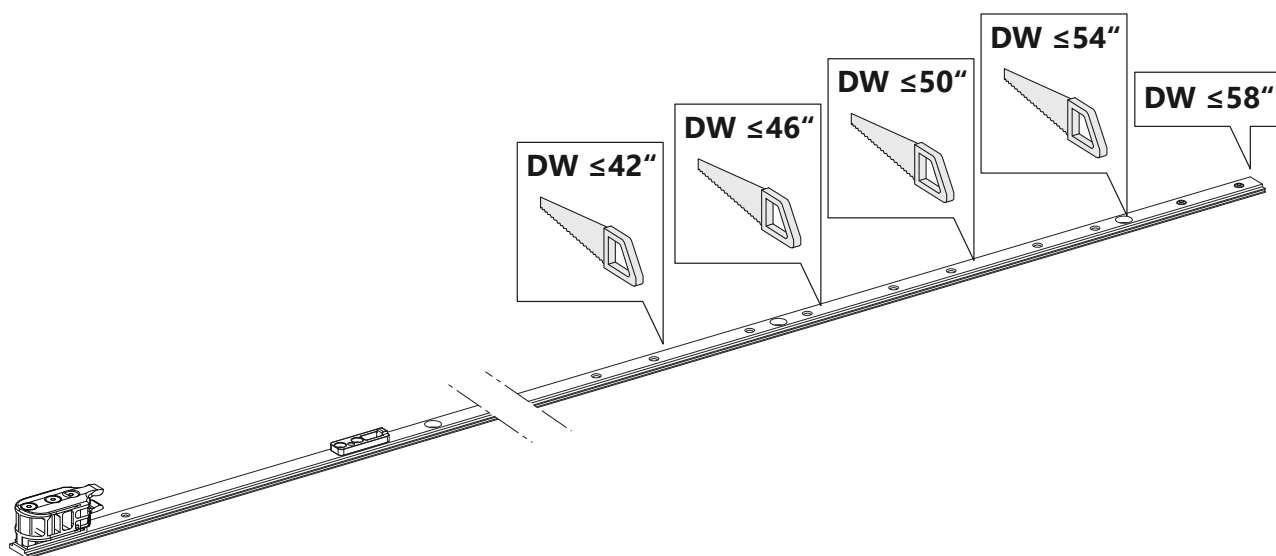
INSTALLATION INSTRUCTION

SLIDING DOOR HARDWARE

2 Version 1



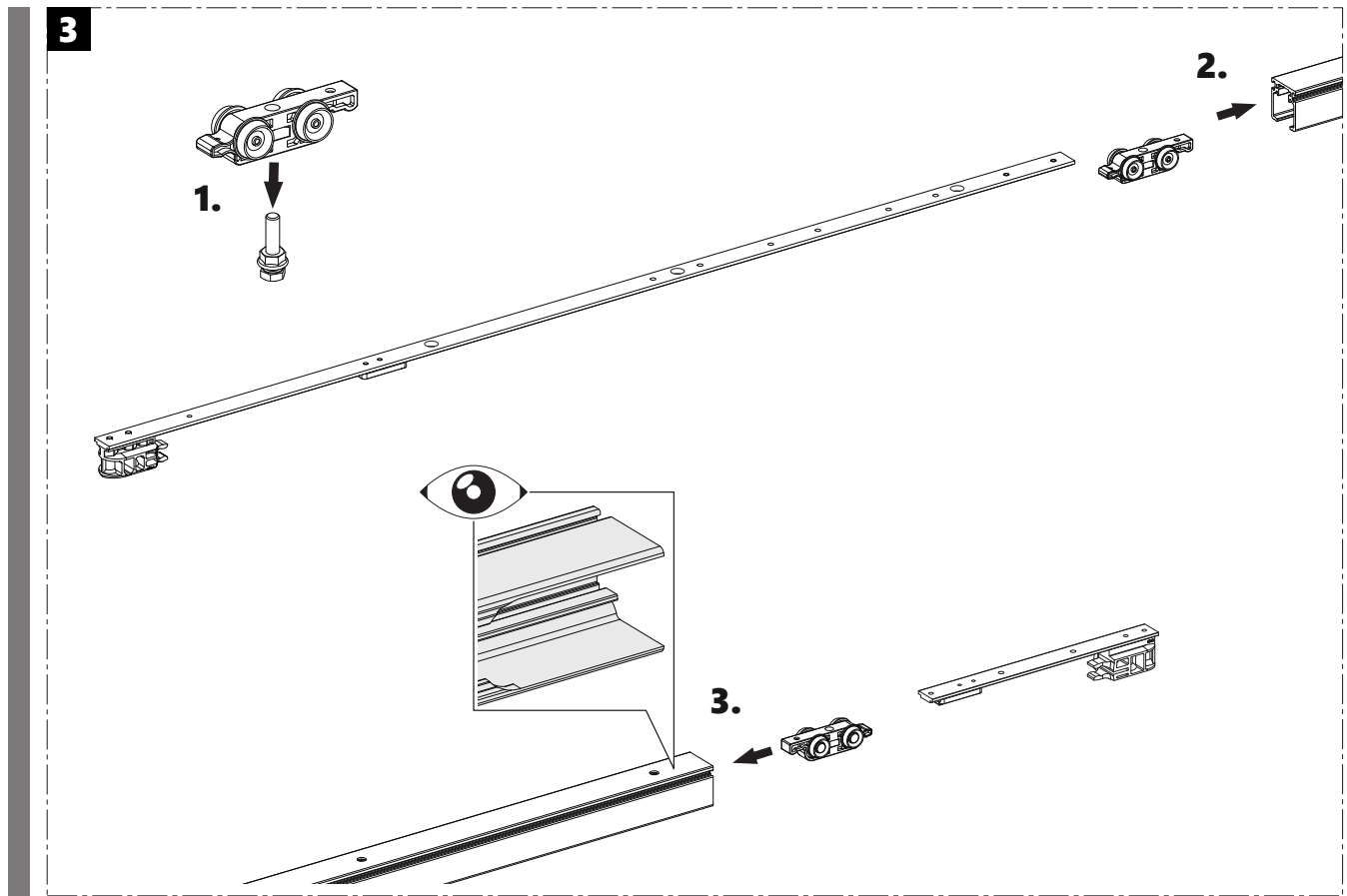
Version 2



When using a softclose, synchro or push to open, consult the separately enclosed installation instructions.

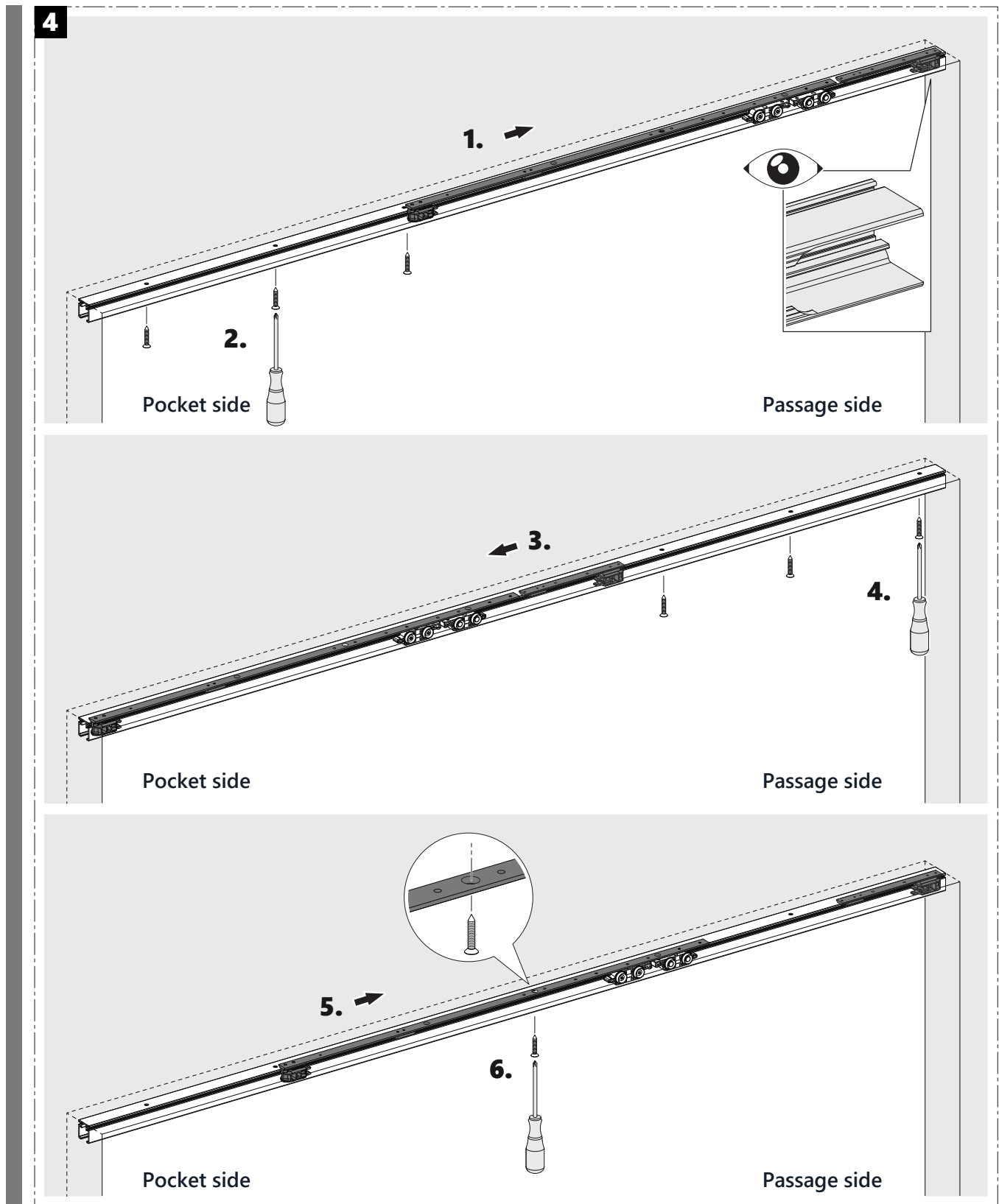
INSTALLATION INSTRUCTION

SLIDING DOOR HARDWARE



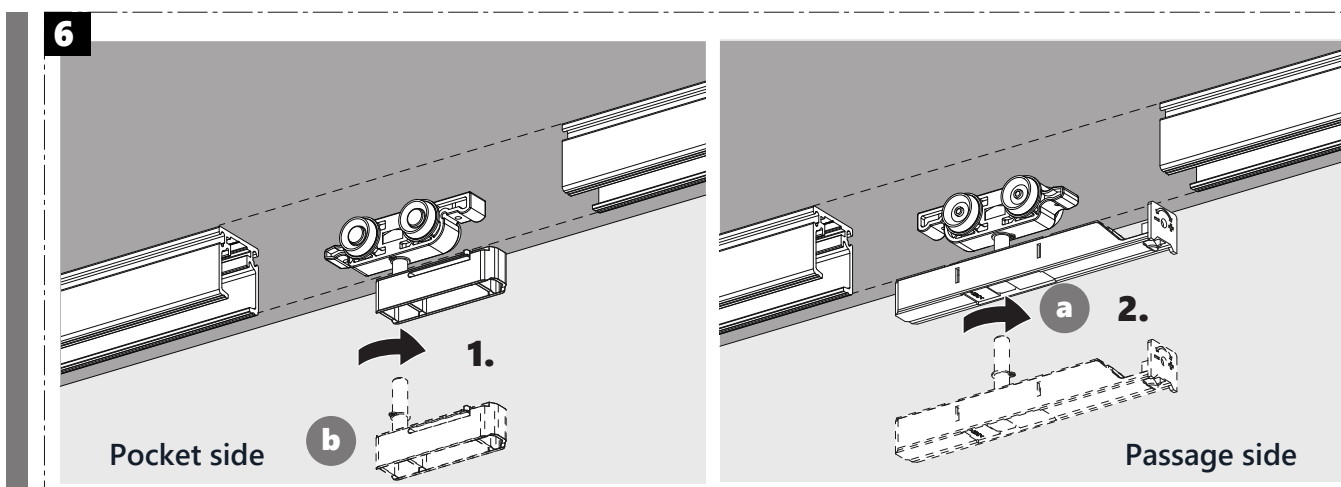
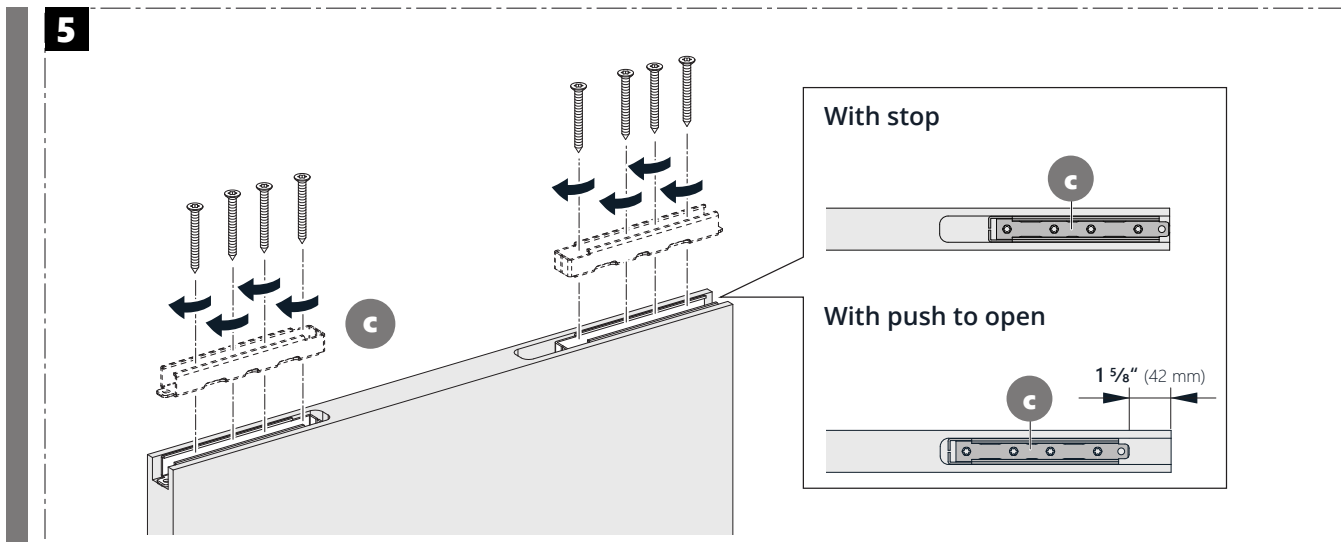
INSTALLATION INSTRUCTION

SLIDING DOOR HARDWARE



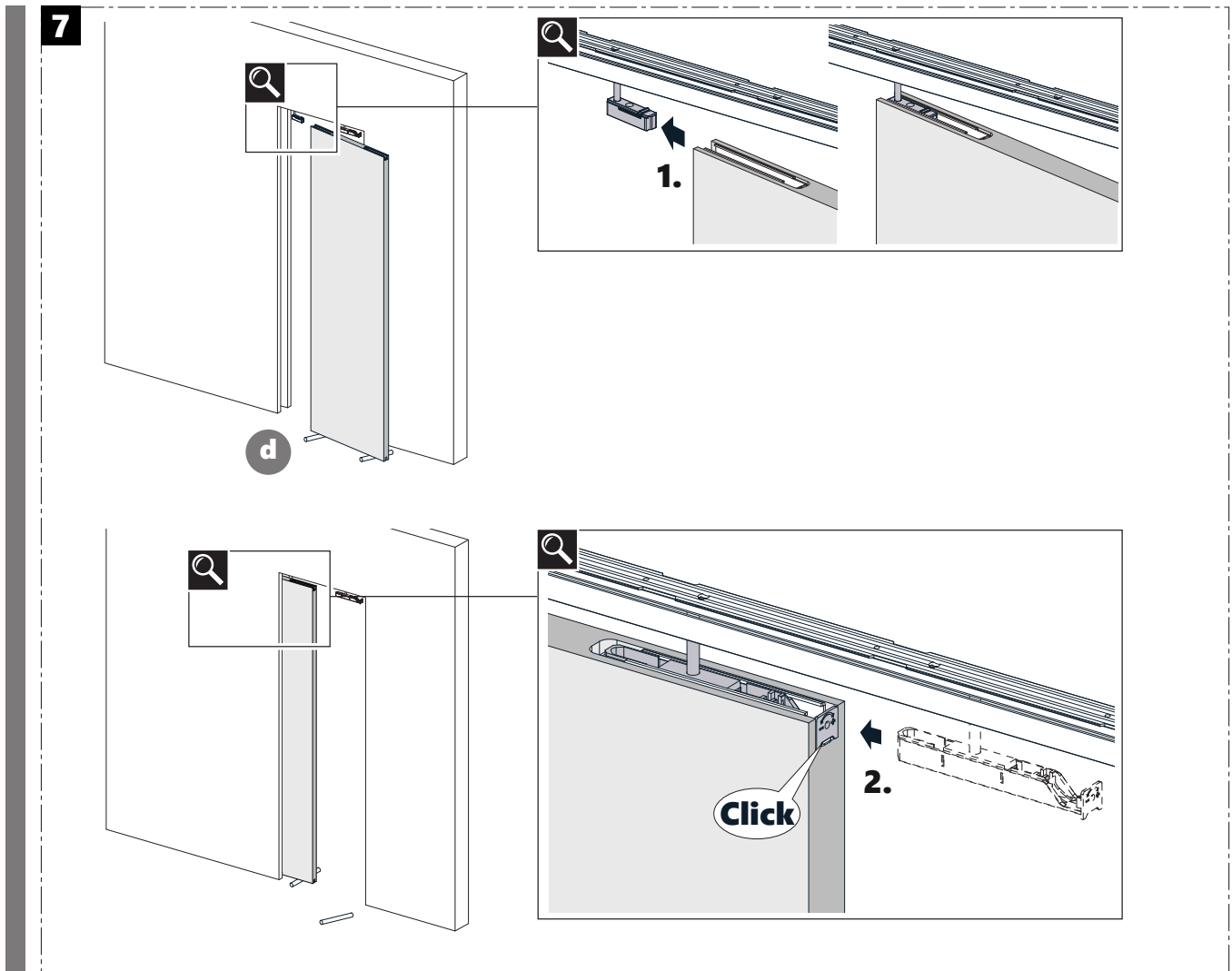
INSTALLATION INSTRUCTION

SLIDING DOOR HARDWARE



INSTALLATION INSTRUCTION

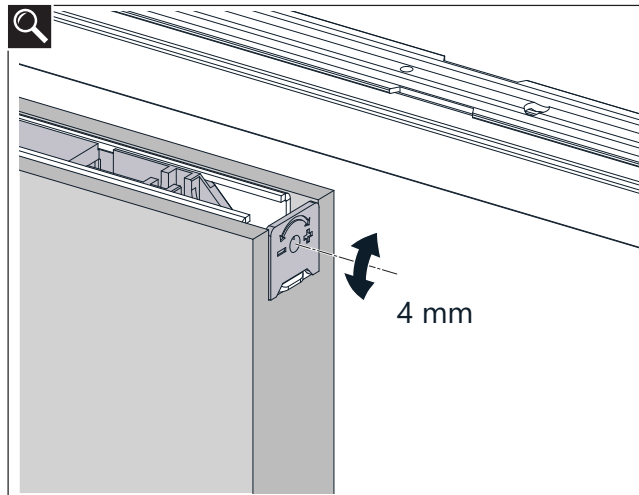
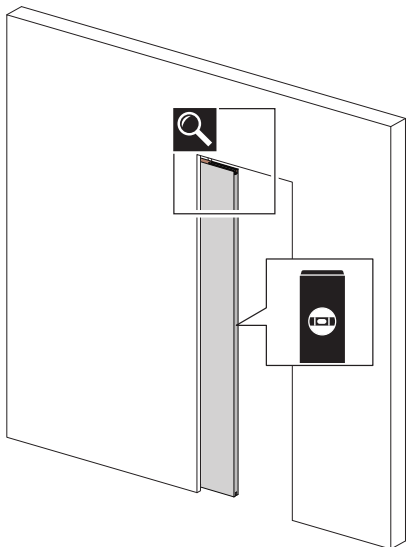
SLIDING DOOR HARDWARE



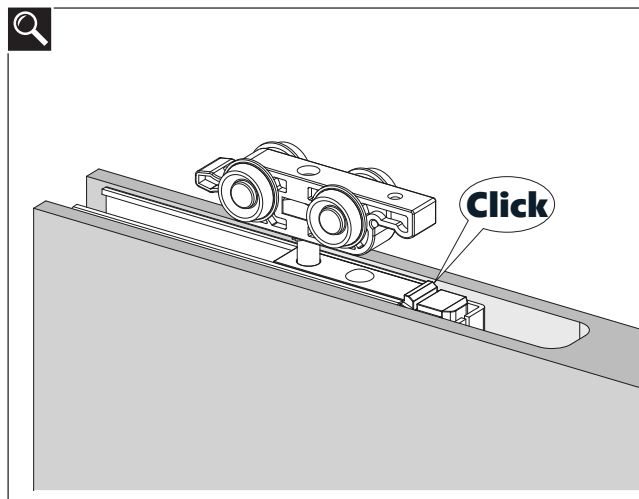
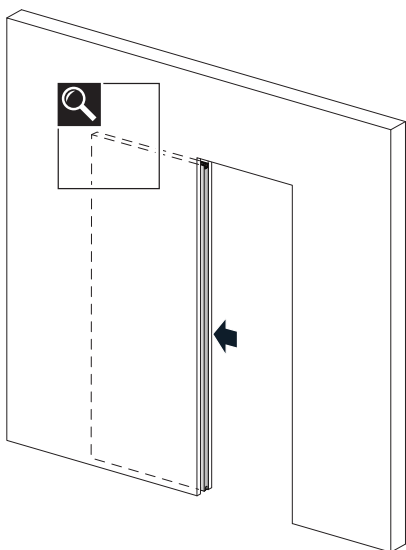
INSTALLATION INSTRUCTION

SLIDING DOOR HARDWARE

8



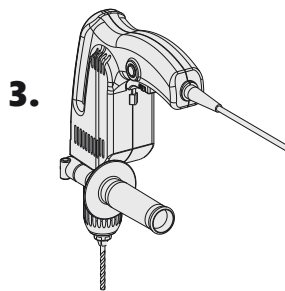
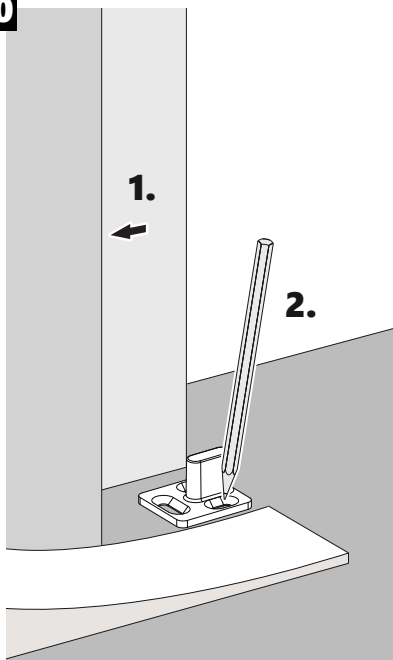
9



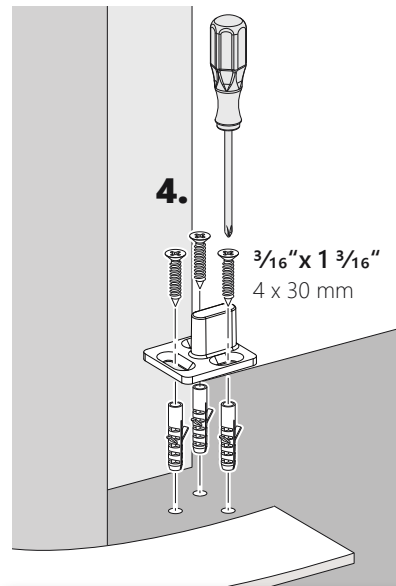
INSTALLATION INSTRUCTION

SLIDING DOOR HARDWARE

10

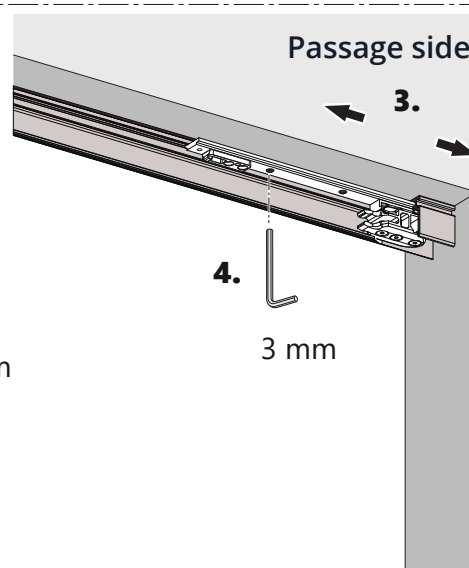
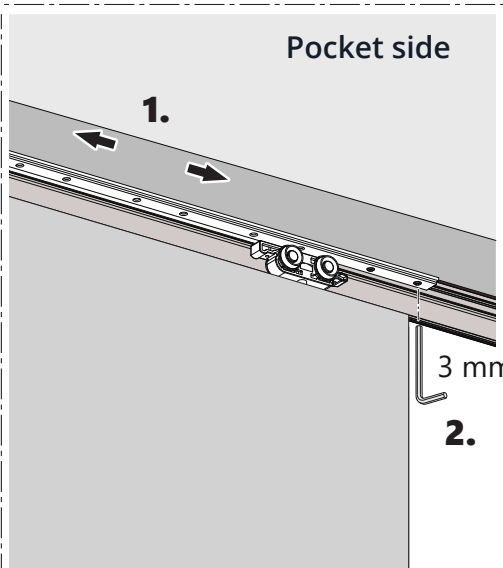
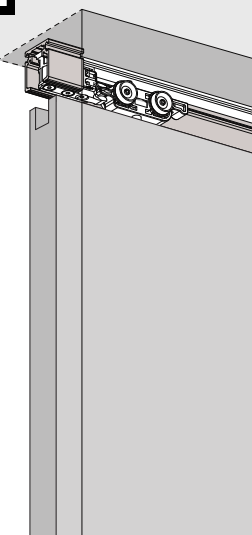


Ø 1/4" (6 mm)



The fastening material must be provided by the customer and must be adapted to the local conditions!

11



INSTALLATION INSTRUCTION

SLIDING DOOR HARDWARE

Disassembly

