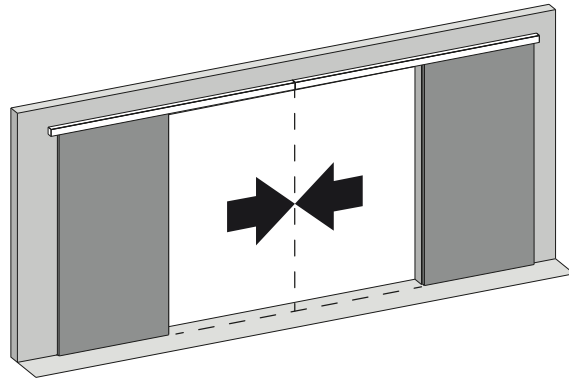


INSTALLATION INSTRUCTION

SLIDING DOOR HARDWARE

article number 0160227

Sync (bi-parting)
for double wood sliding doors
up to 176 lb (80 kg) per panel



i

2x

a



M5 x 30

2x

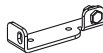
b



M5 x 35

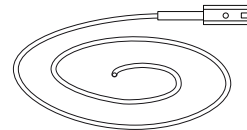
2x

c



1x

d

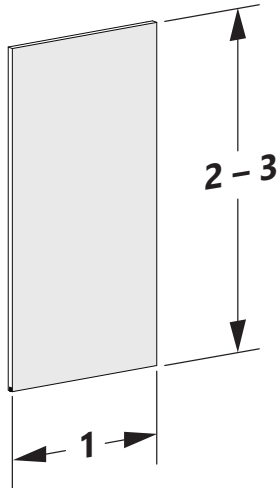


INSTALLATION INSTRUCTION

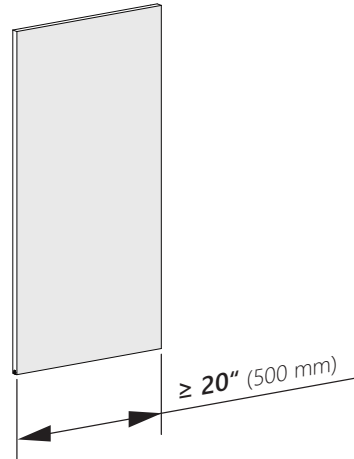
SLIDING DOOR HARDWARE

i

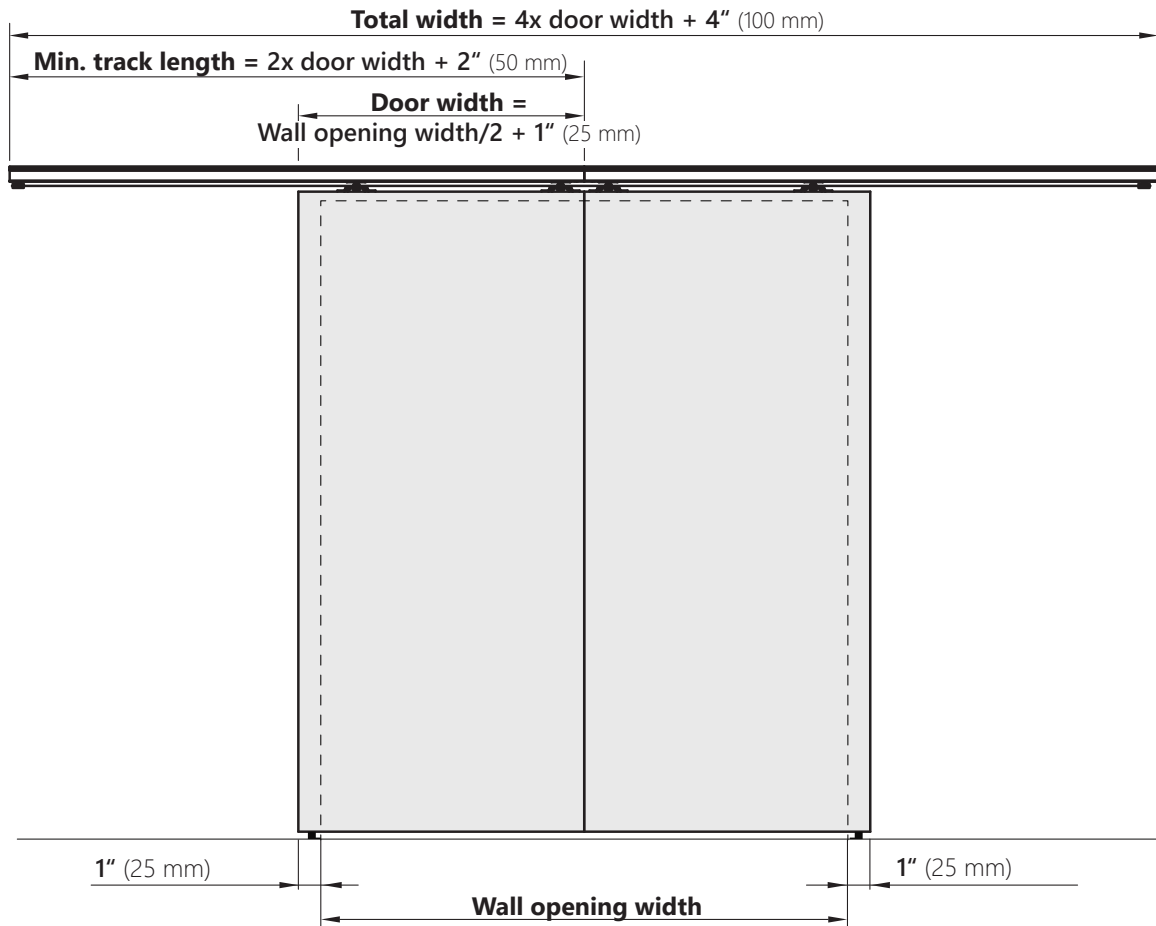
Optimal aspect ratio



Min. door leaf width

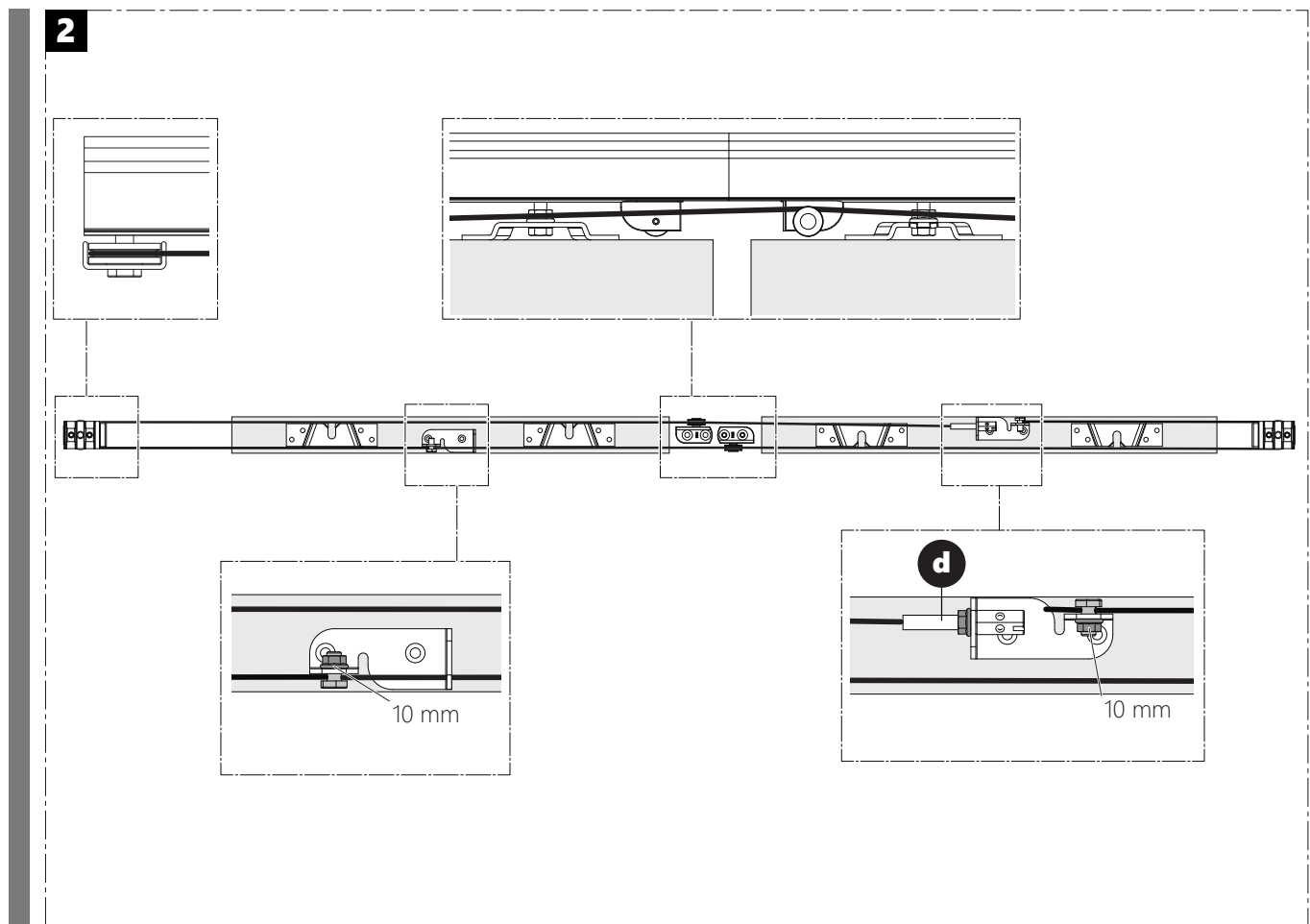
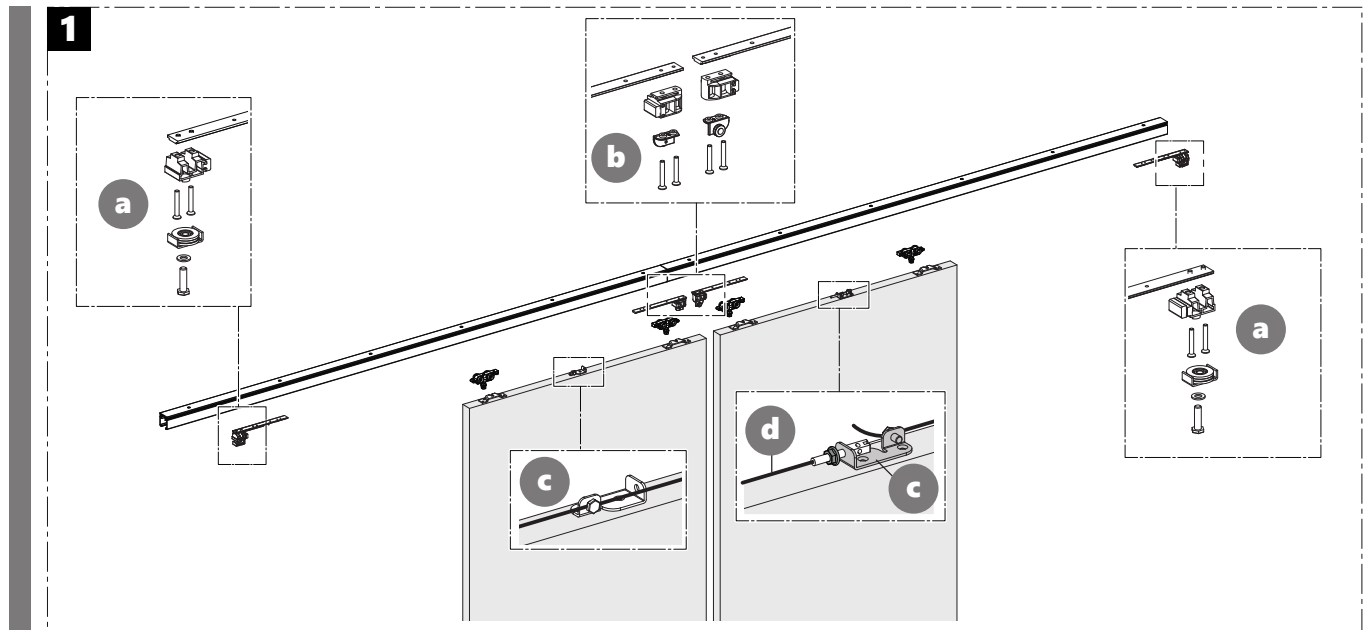


Clearance width and track length



INSTALLATION INSTRUCTION

SLIDING DOOR HARDWARE



INSTALLATION INSTRUCTION

SLIDING DOOR HARDWARE