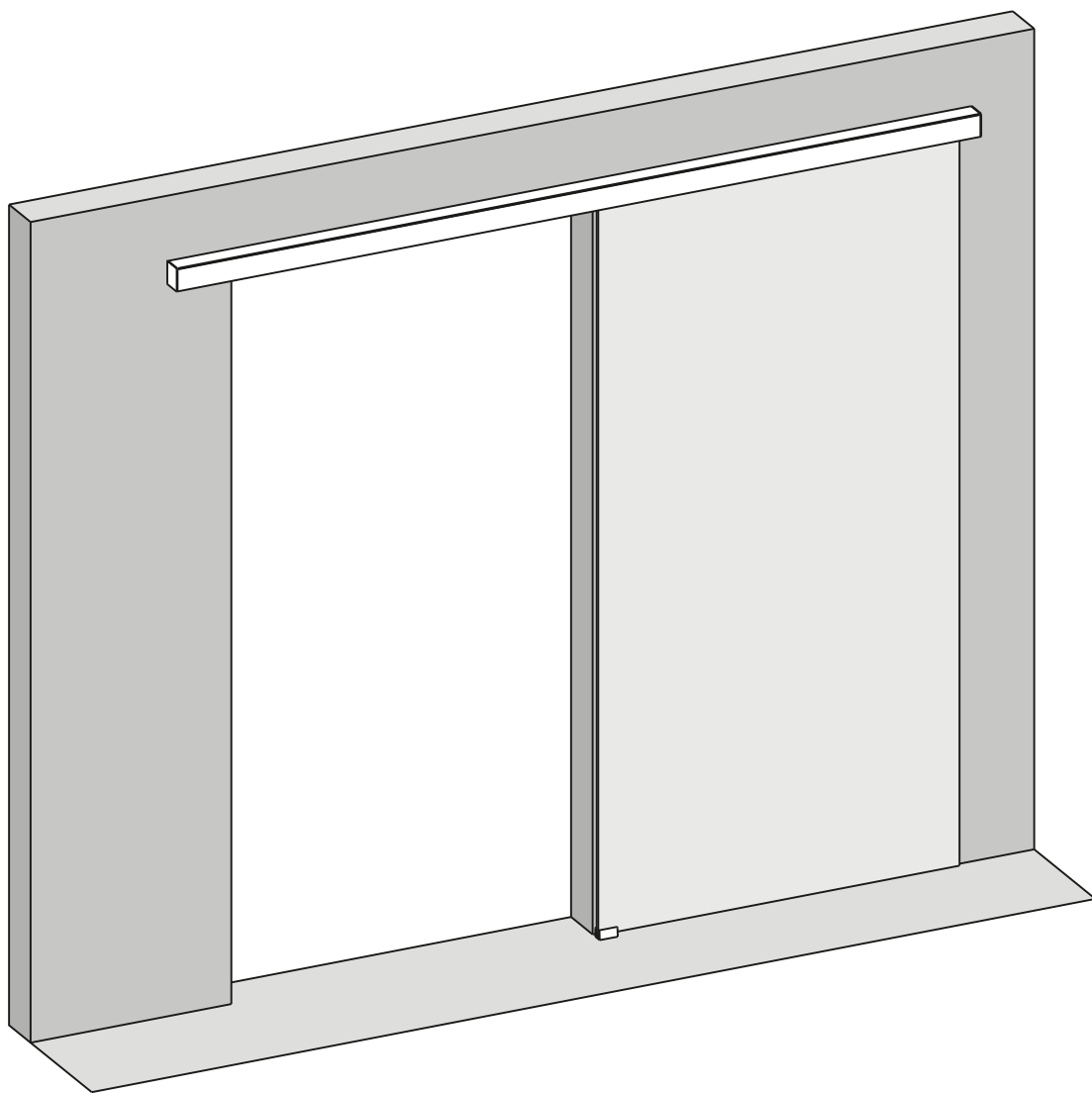


INSTALLATION INSTRUCTION

Enclosed barn door track for interior glass doors
and optional soft close

article number 0390012-20-02, 0390012-20-03, 0390013



MOUNTING PREPARATION | GLASS

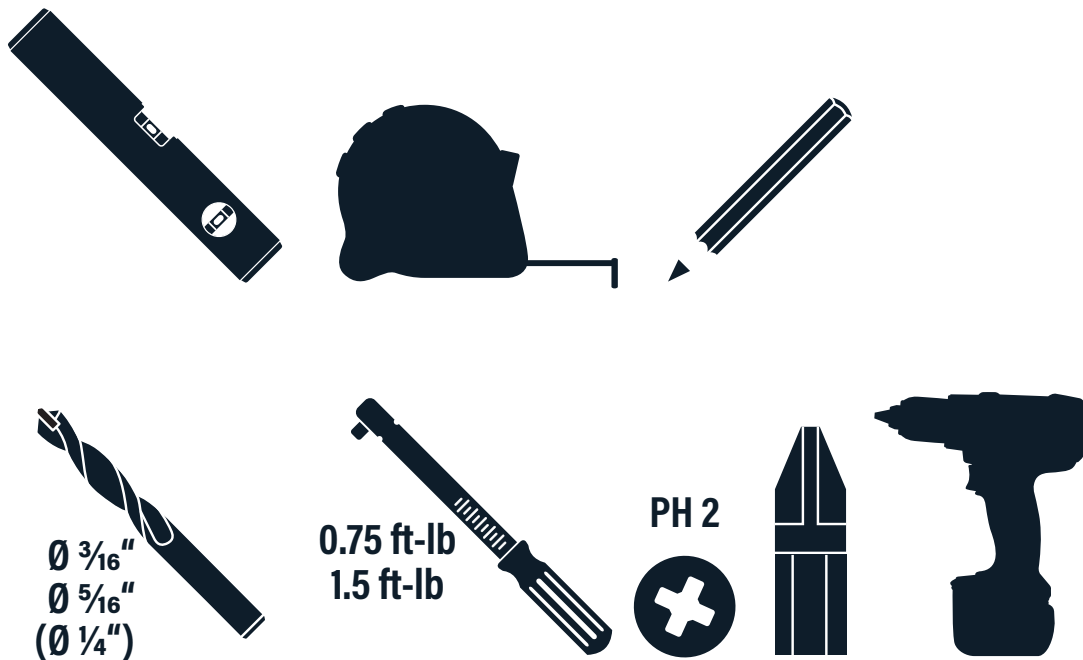
Safety notes

Before assembly, please read the assembly instructions carefully. In case of difficulties in understanding, contact the customer service or your supplier. In order to assemble the purchased product properly, please use the tools indicated below.

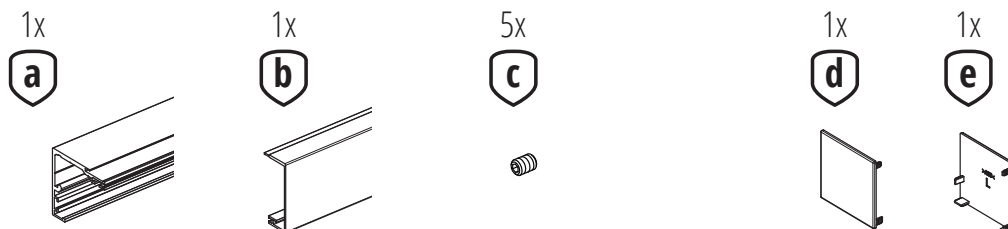
All components have been checked for integrity by Falkenstein before delivery. Falkenstein accepts no liability for damage caused by improper assembly or transport.

Attention: The optional soft close feature is a comfort accessoire. Vigorous slamming of the door can lead to damage and voids the warranty.

Required tools

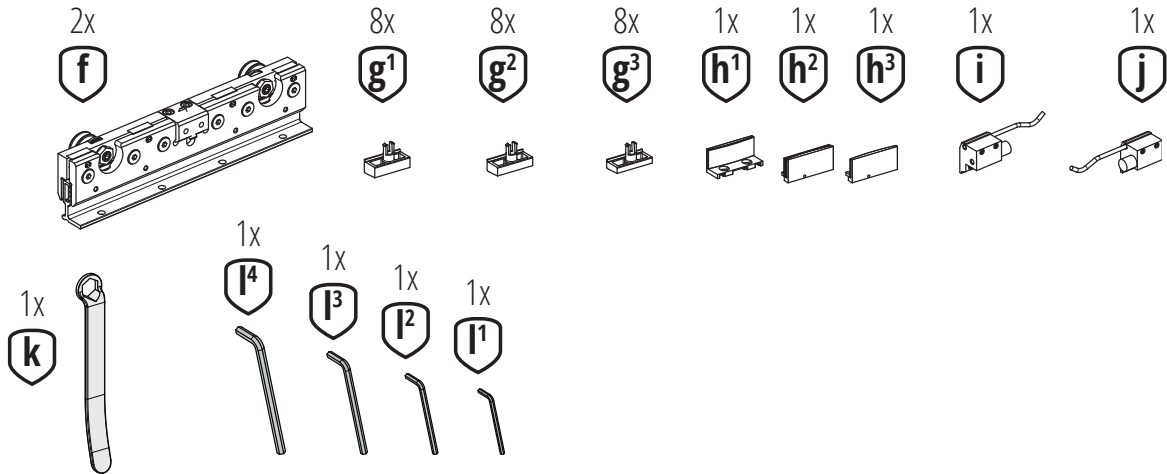


Parts of the track

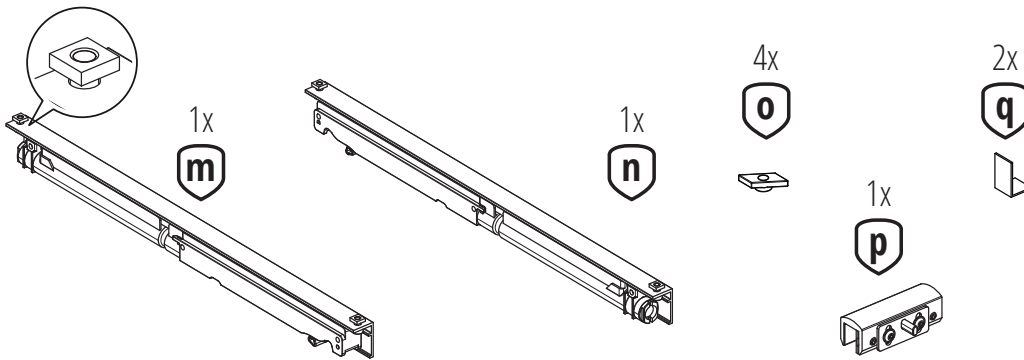


MOUNTING PREPARATION | GLASS

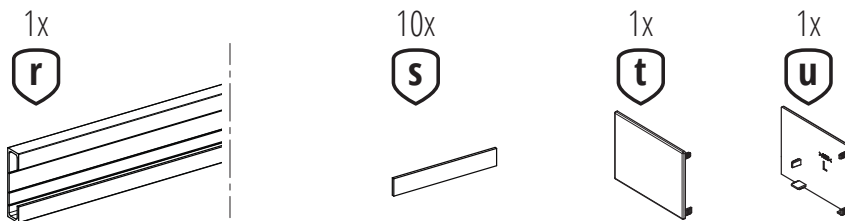
Hardware for glass doors up to 265 lb



Soft-Close for glass doors up to 176 lb (optional accessory)



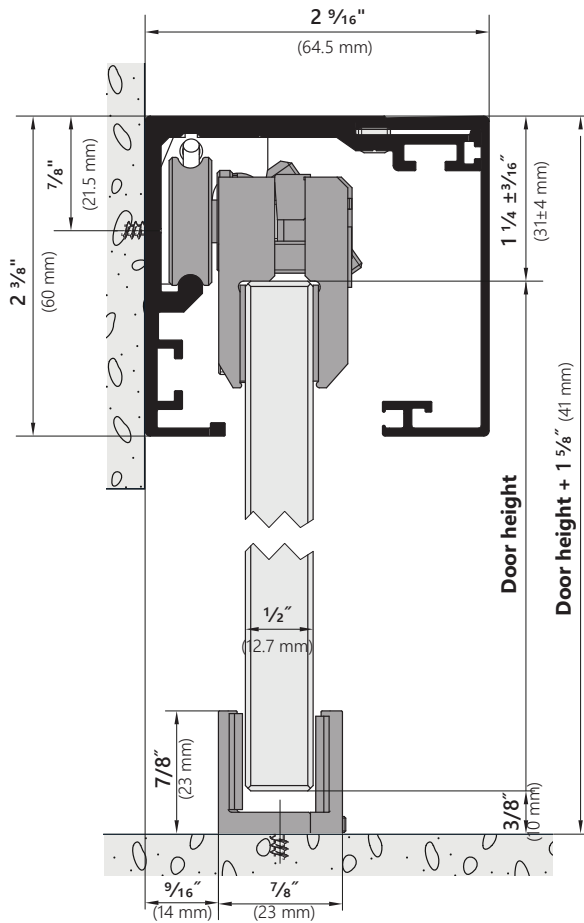
Distance profile (optional accessory)



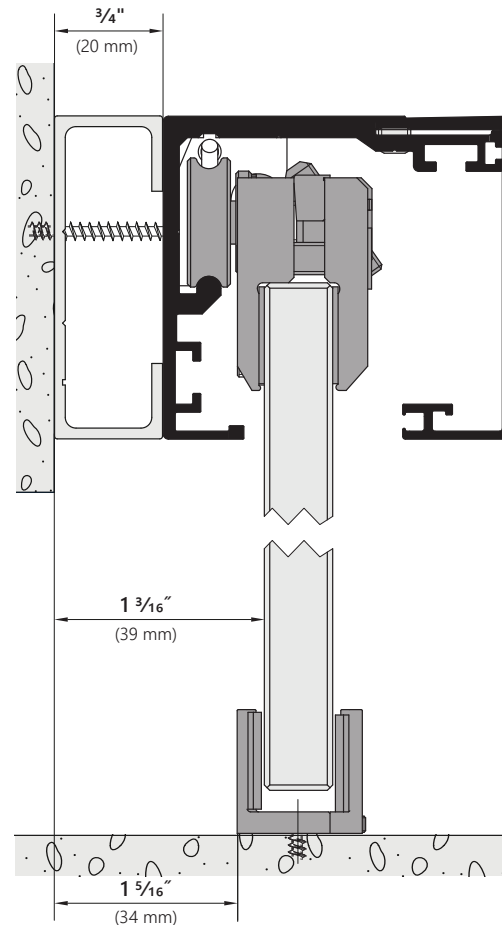
DIMENSIONS | GLASS

Side view

Wall mounting



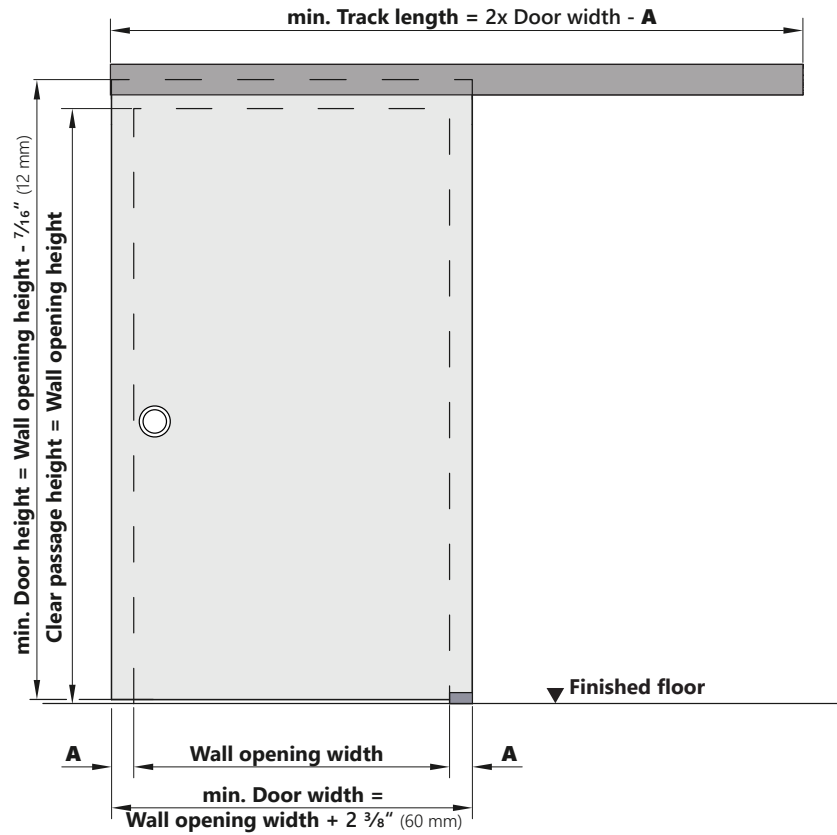
With distance profile



Also possible with glass thicknesses $1 \frac{7}{32}''$ (13,5 mm) and $\frac{3}{8}''$ (10 mm)

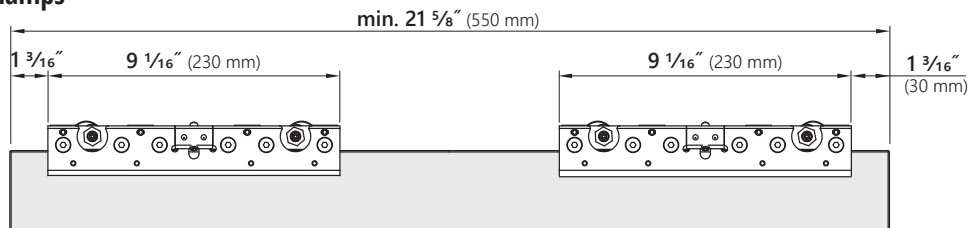
Front view

Illustration shows opening direction to the right*

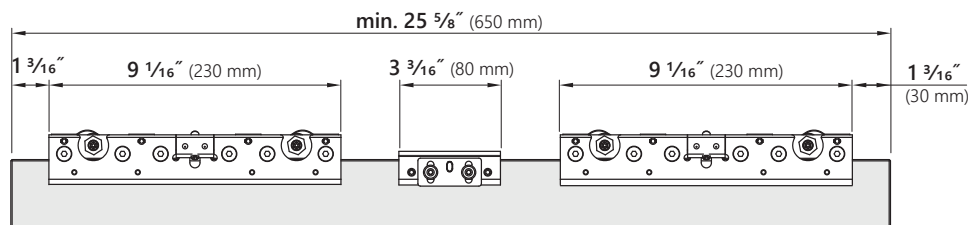


* Opening direction can be easily switched to the left. It only depends on the box track position.

Frameless glass clamps



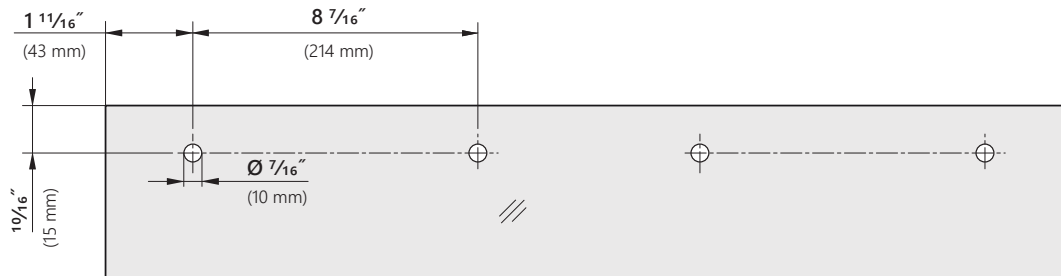
Frameless glass clamps with Soft-Close activator



DIMENSIONS | GLASS

Glass machining

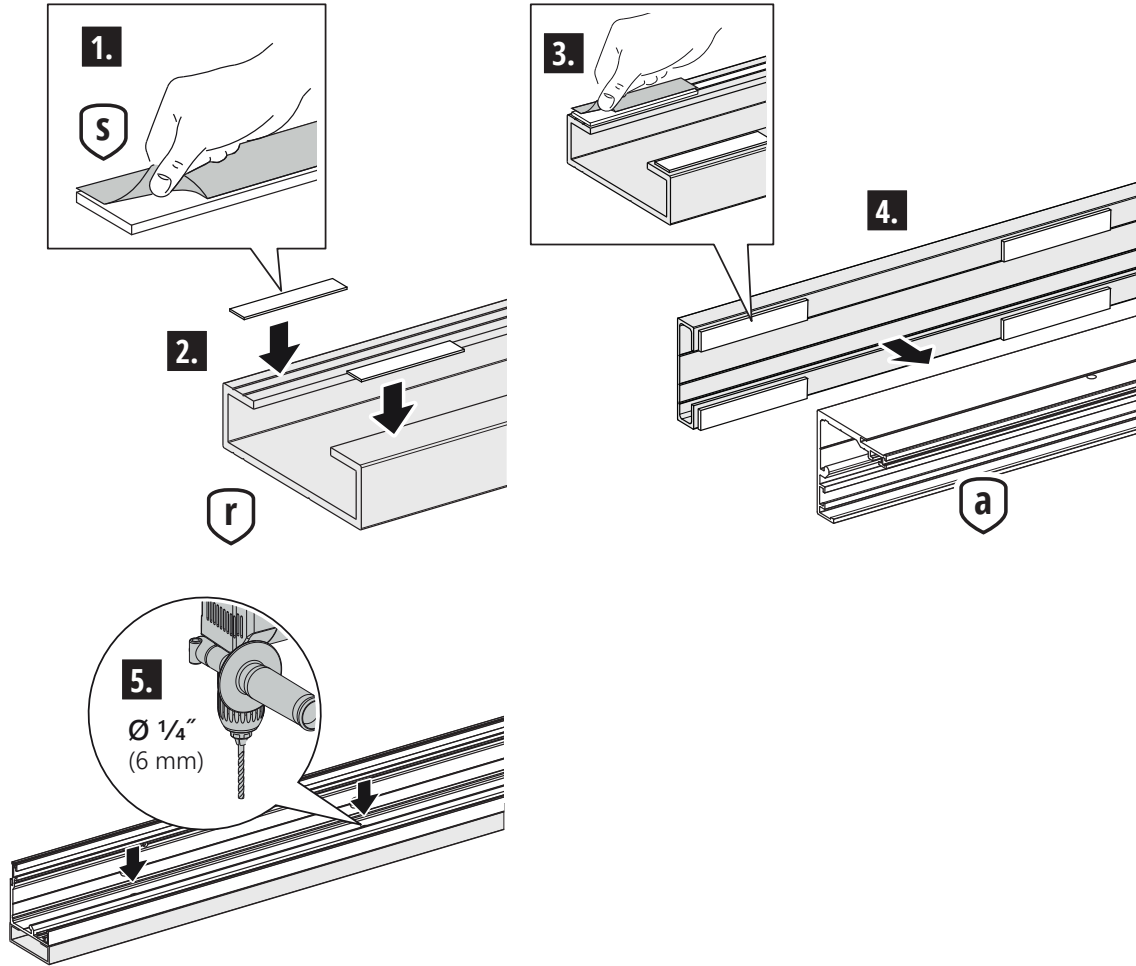
For optional glass safety pin*



* Recommended when using laminated safety glass

1.

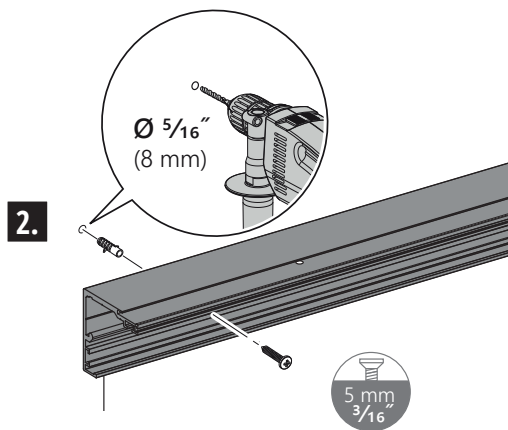
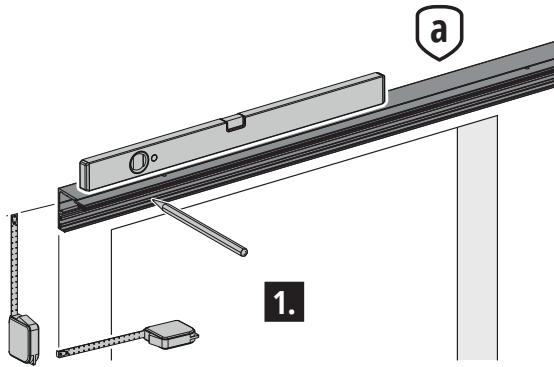
With optional distance profile only



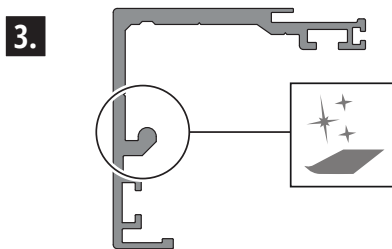
MOUNTING | GLASS

2.

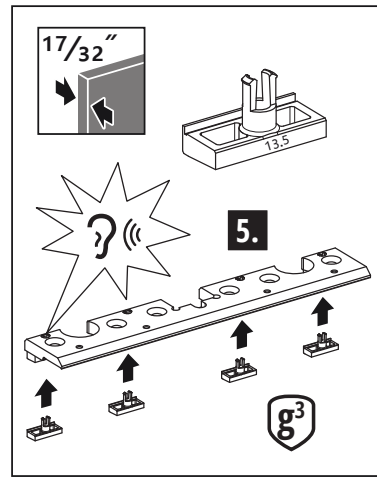
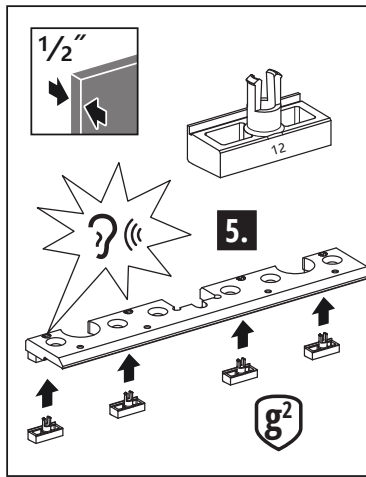
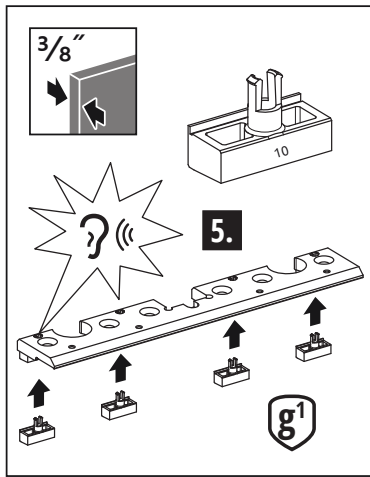
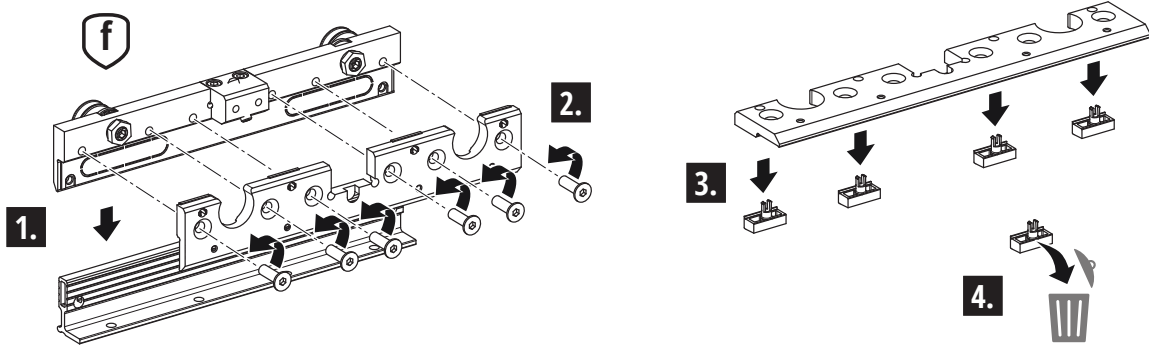
Wall mounting



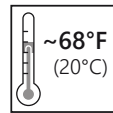
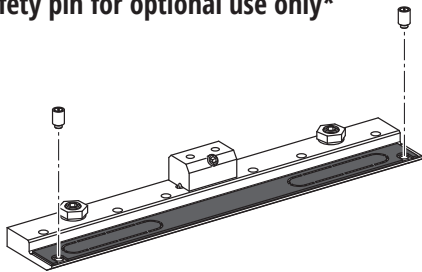
! The load-bearing capacity of the wall must be checked. Suitable fastening material must be provided by the customer!



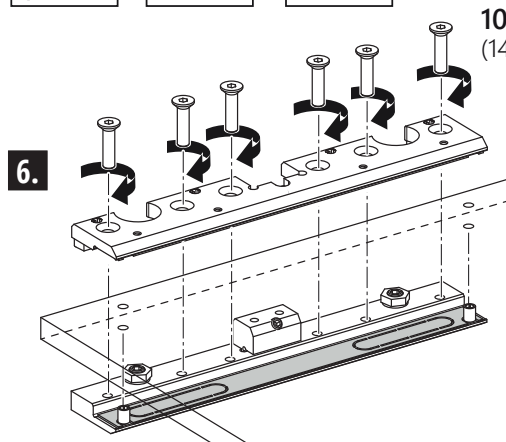
3.



Safety pin for optional use only*



10 ft-lb
(14 Nm)

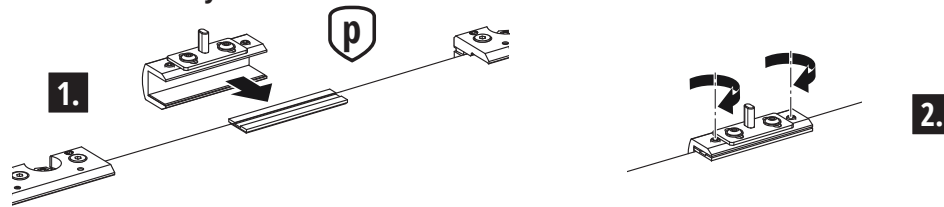


* Recommended when using laminated safety glass

MOUNTING | GLASS

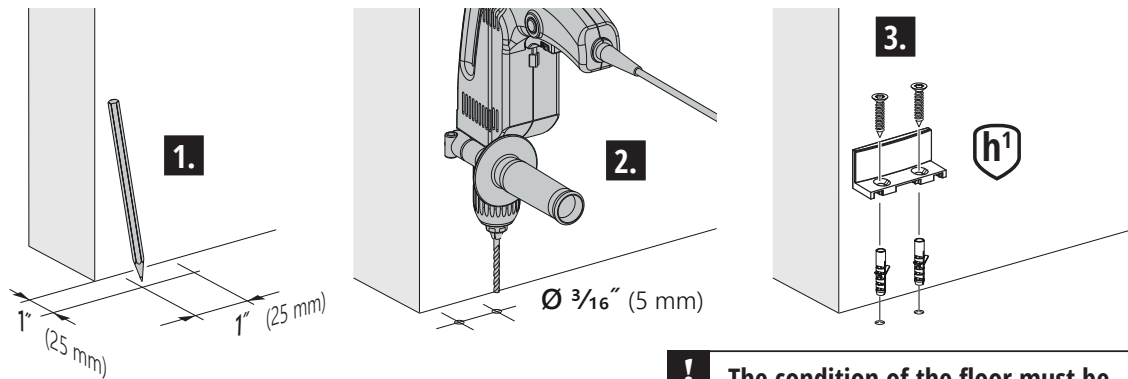
4.

With optional Soft-Close only



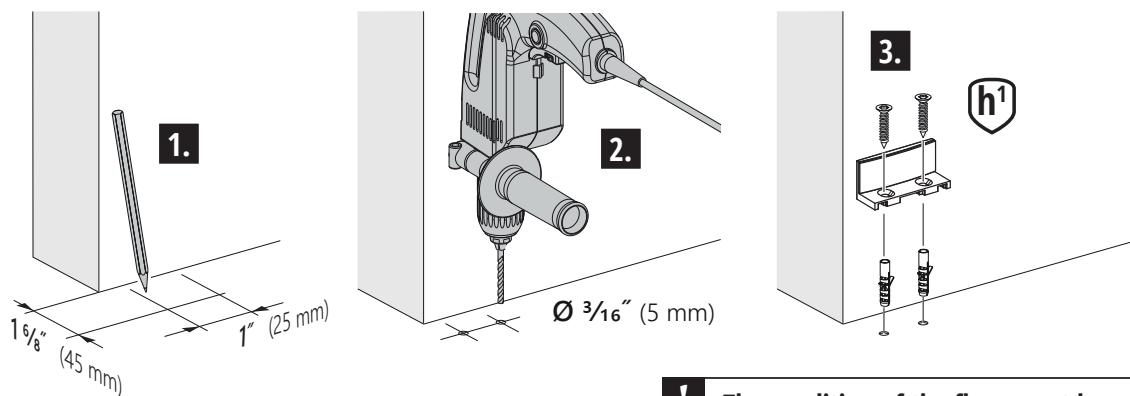
5.

Without distance profile



! The condition of the floor must be checked. Suitable fastening material must be provided by the customer!

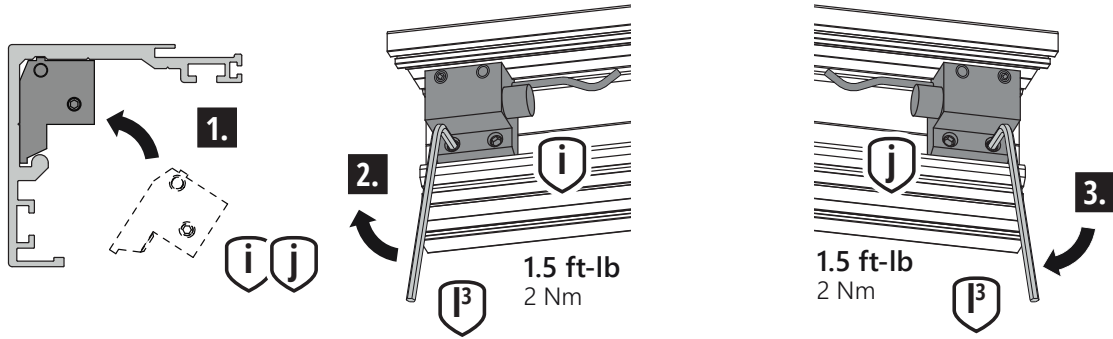
With distance profile



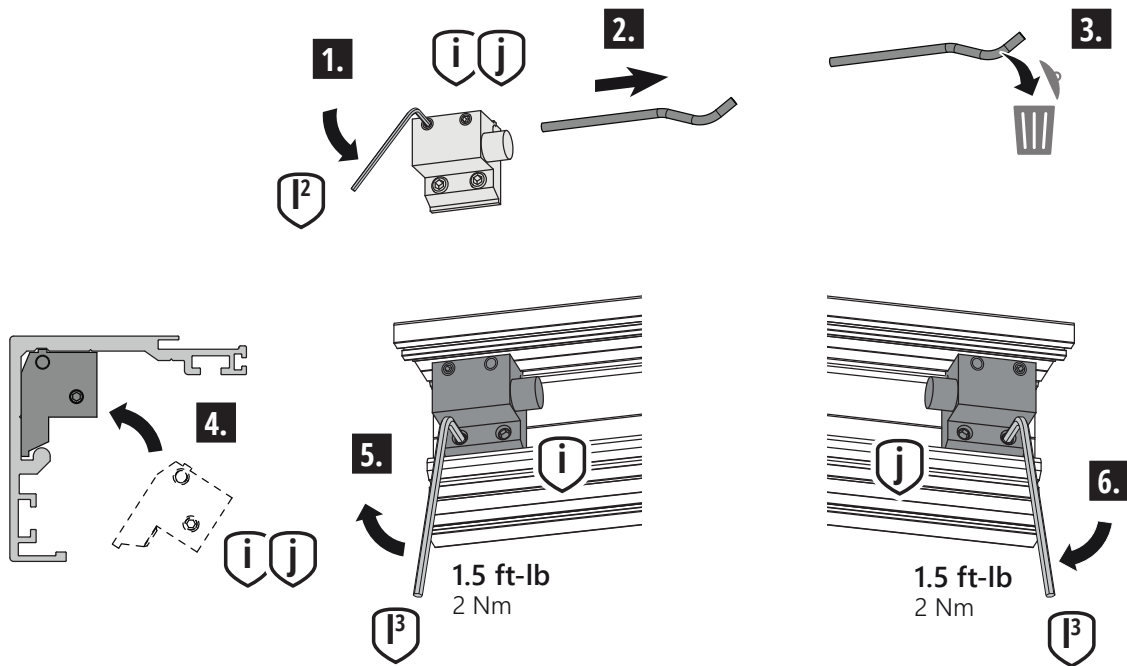
! The condition of the floor must be checked. Suitable fastening material must be provided by the customer!

6.

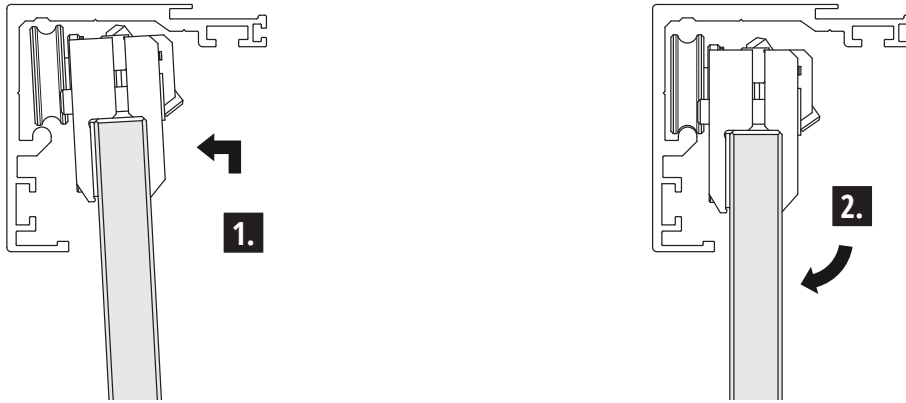
With hold-in-place end stops



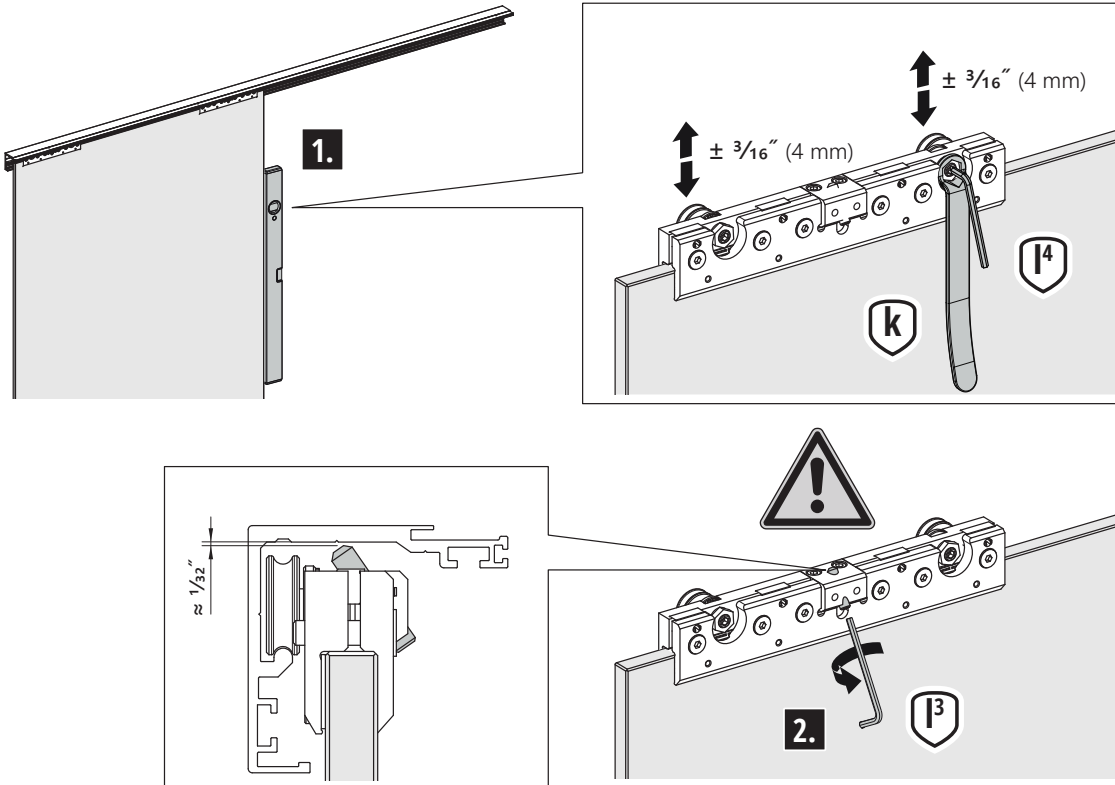
With Soft-Close



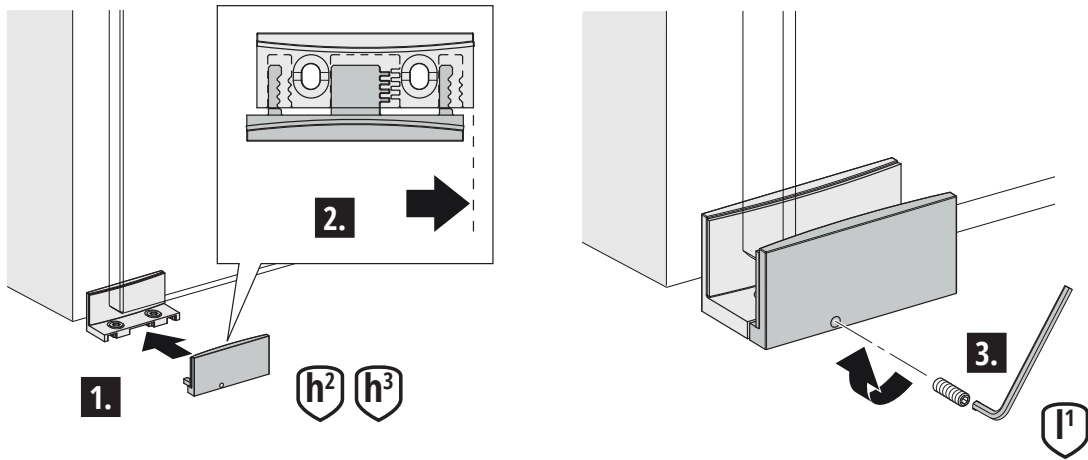
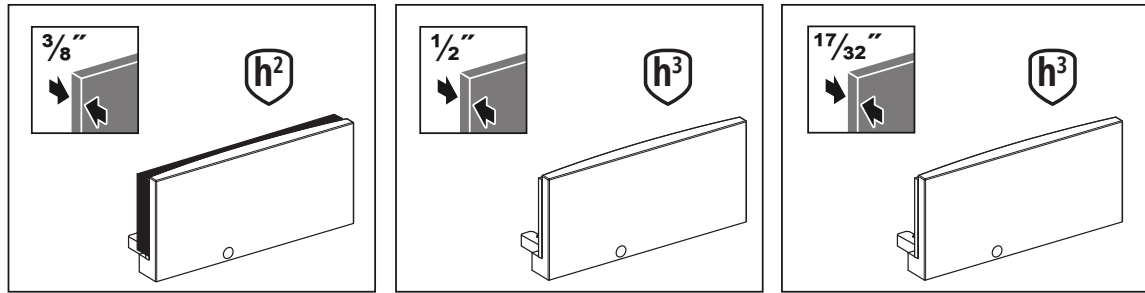
7.



8.

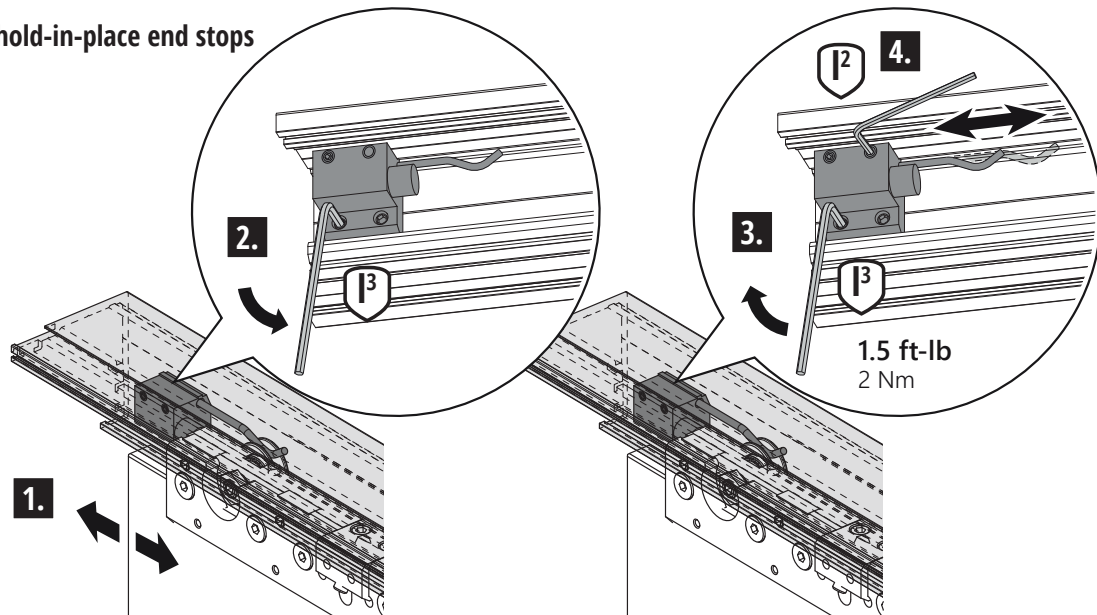


9.



10.

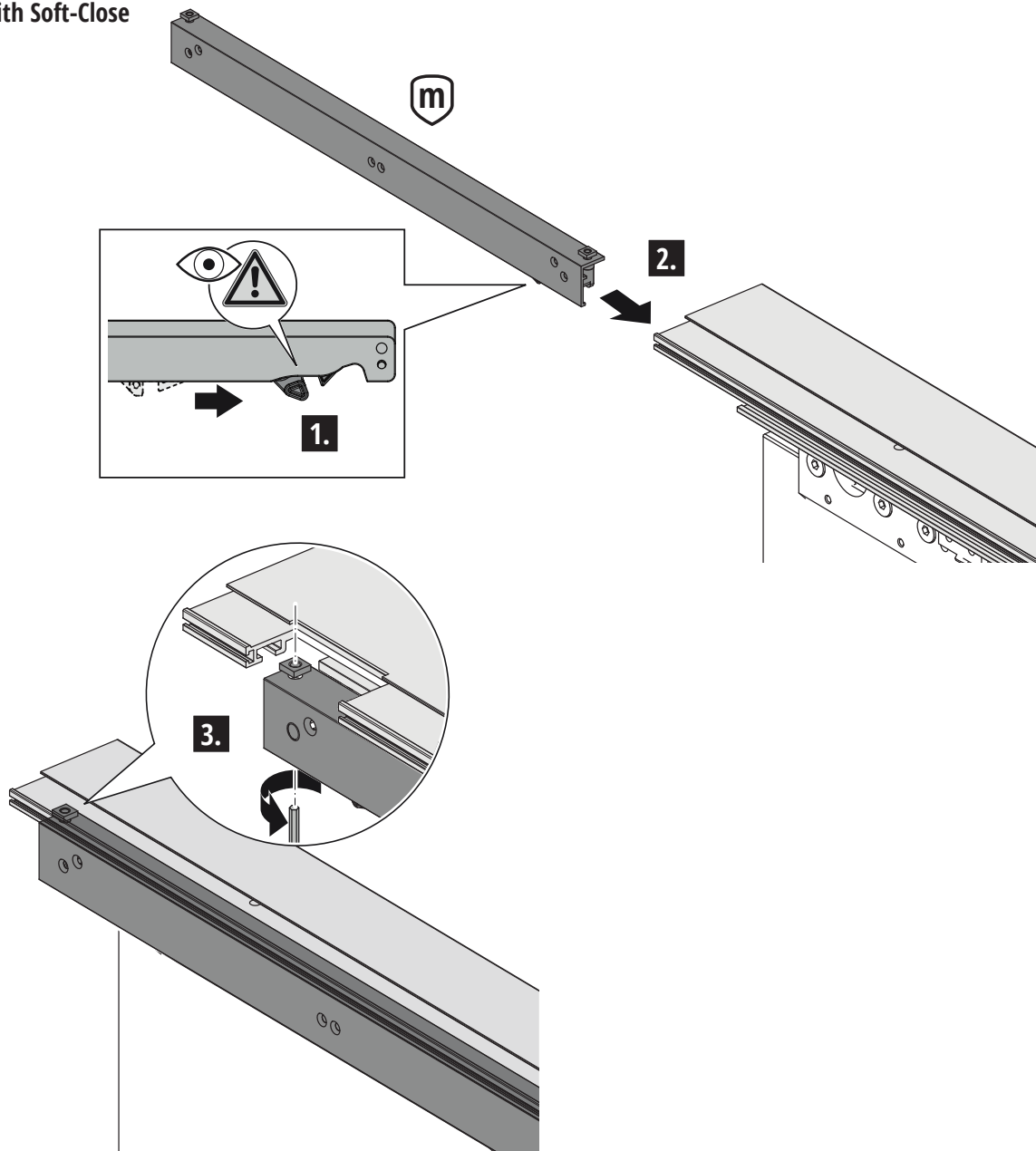
With hold-in-place end stops



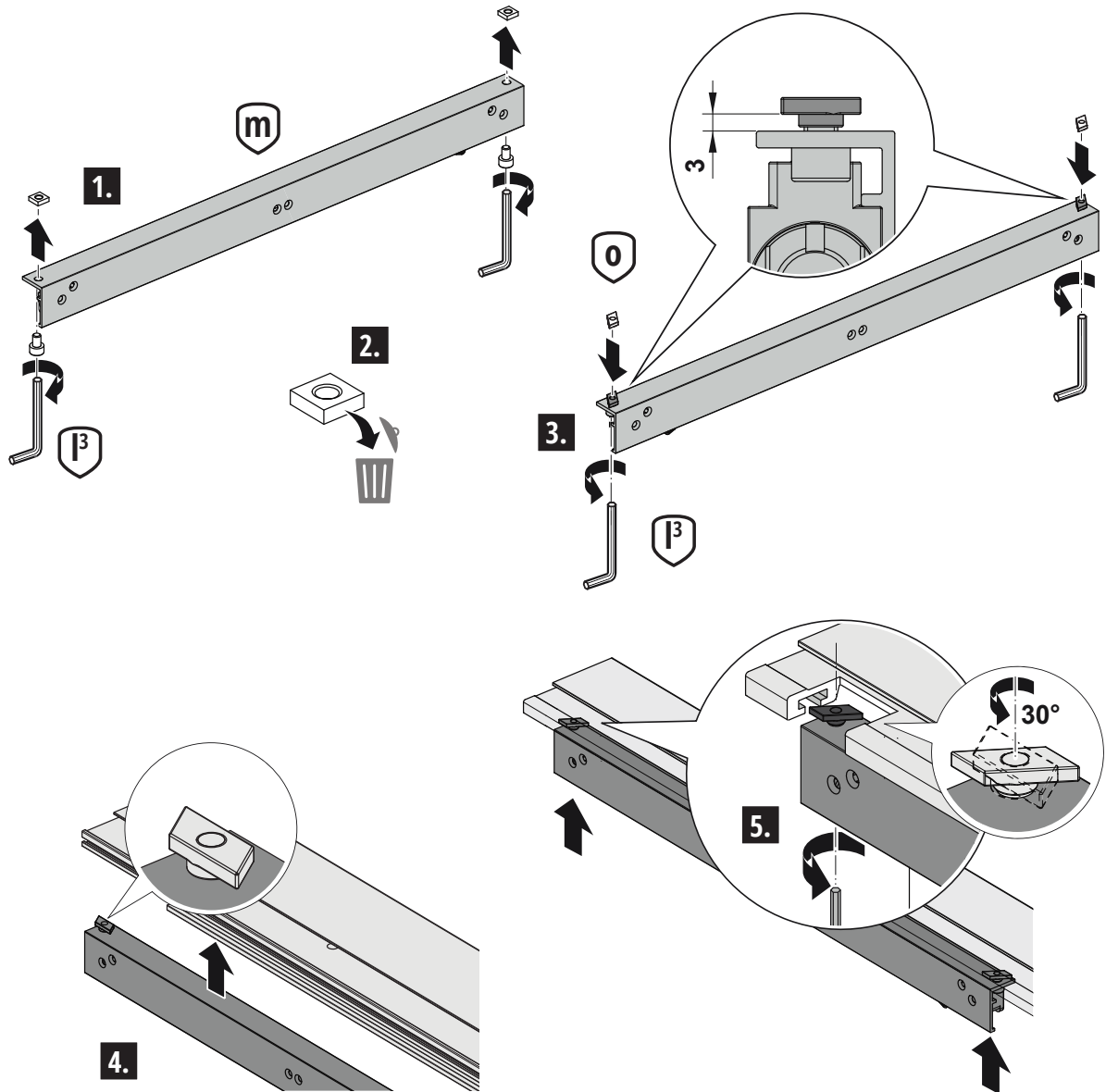
MOUNTING | GLASS

11.1.

With Soft-Close



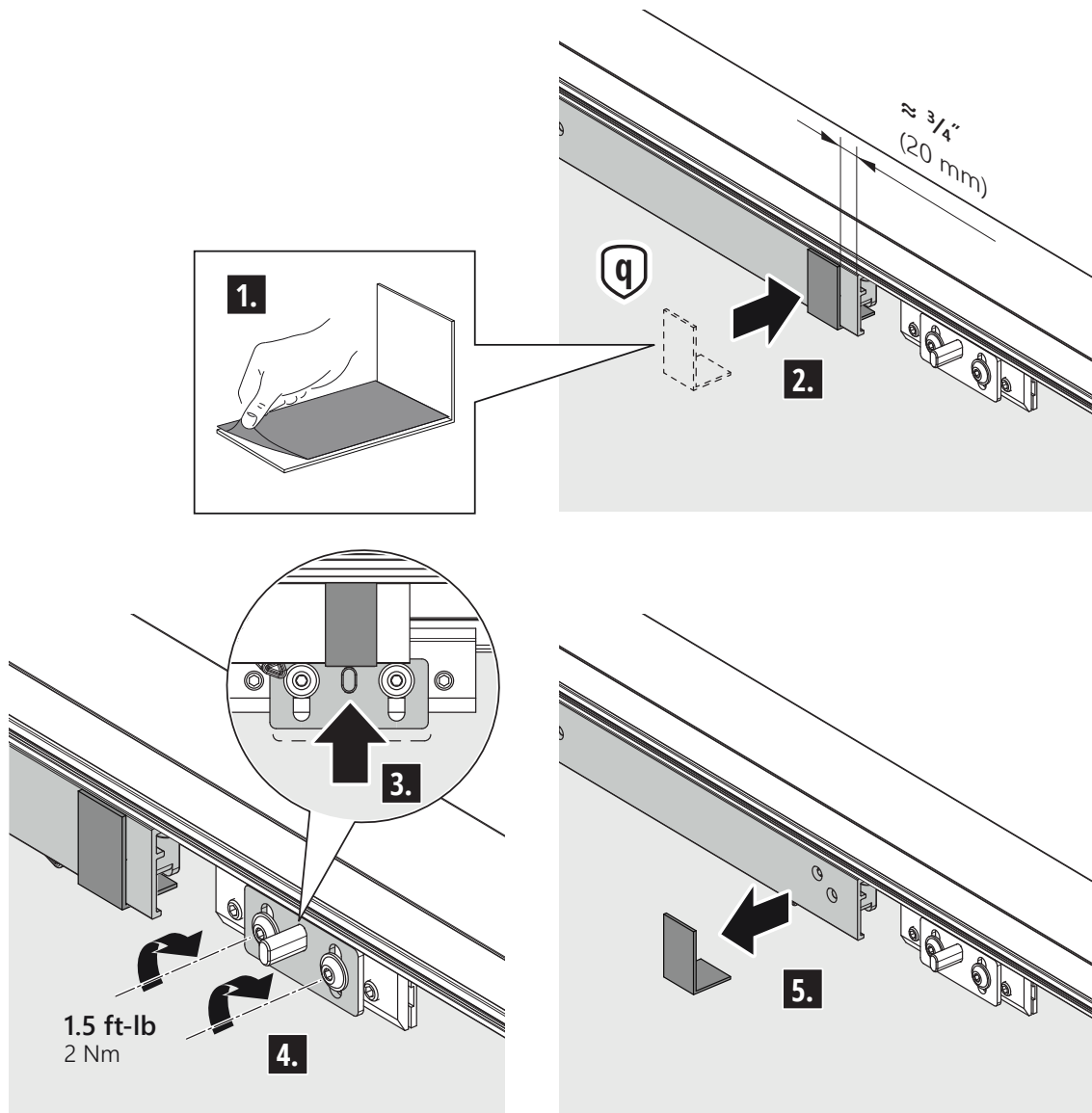
Mounting option: Mounting the Soft-Close from below



MOUNTING | GLASS

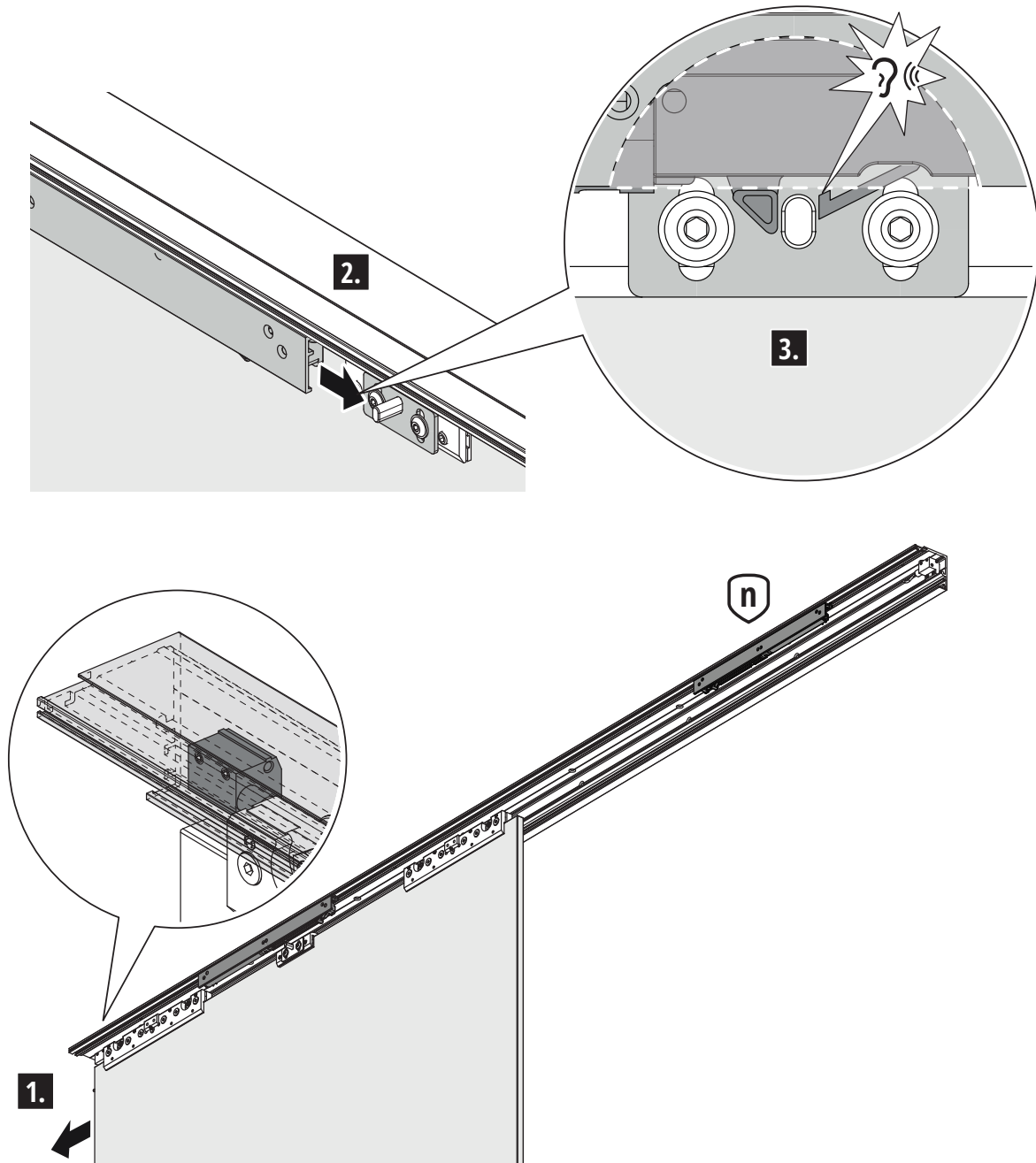
11.2.

With Soft-Close



11.3.

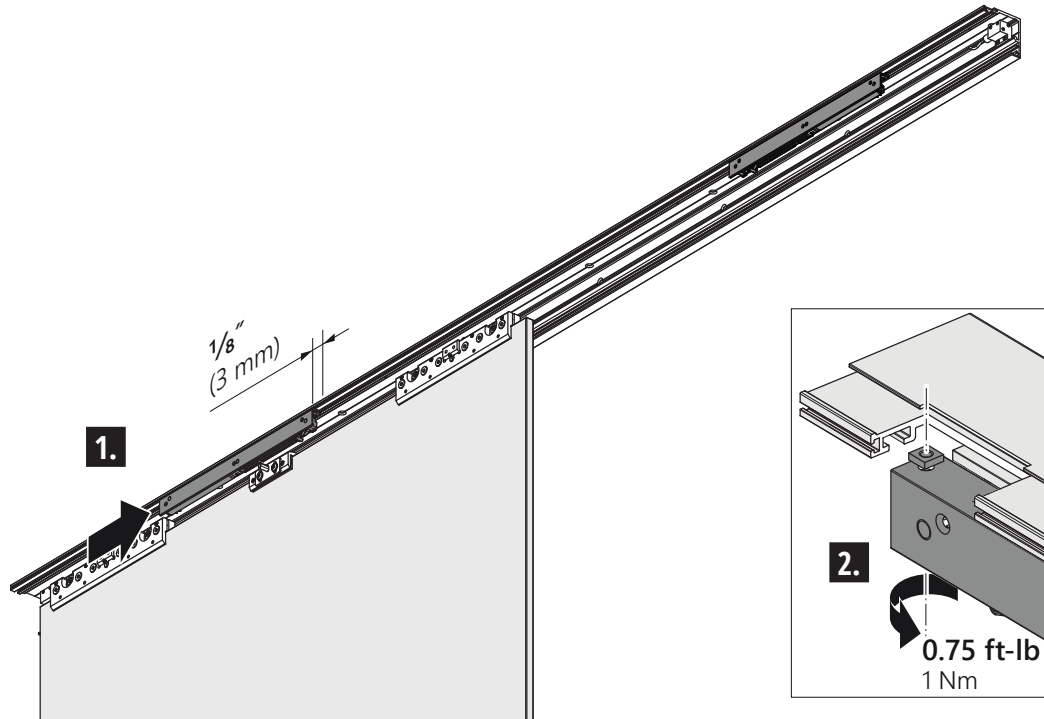
With Soft-Close



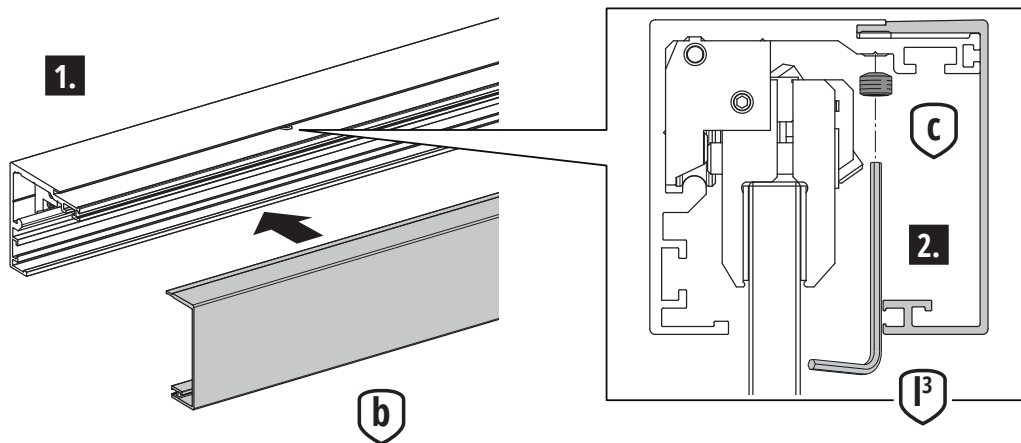
MOUNTING | GLASS

11.4.

With Soft-Close

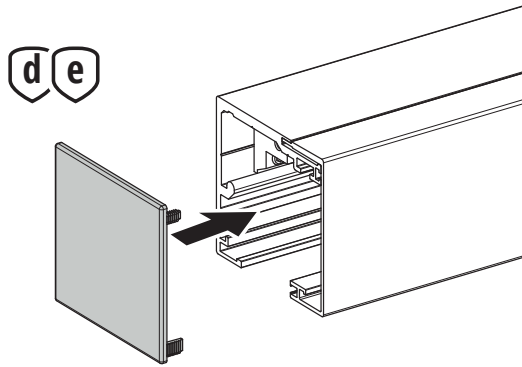


12.



13.

Without distance profile



With distance profile

