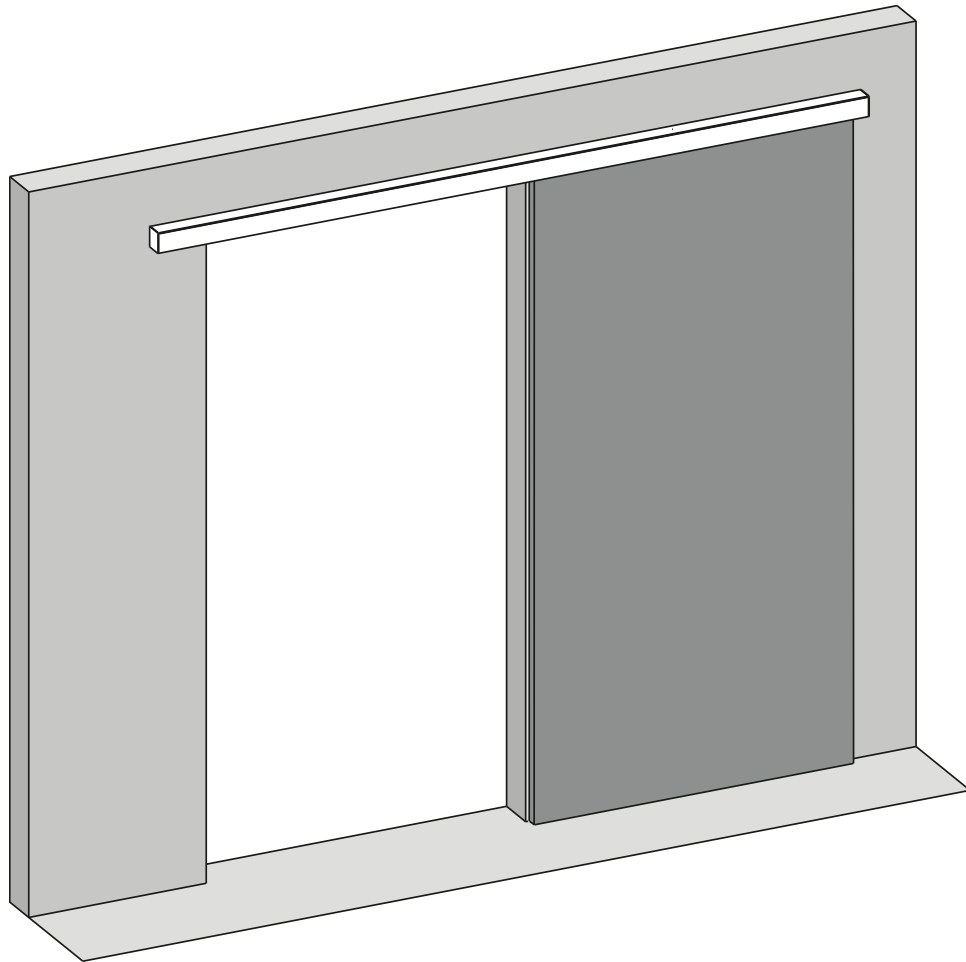


# INSTALLATION INSTRUCTION

Enclosed barn door track for interior wood doors  
and optional soft close

article number 0390012-20-02, 0390012-20-03, 0390014



# MOUNTING PREPARATION | WOOD

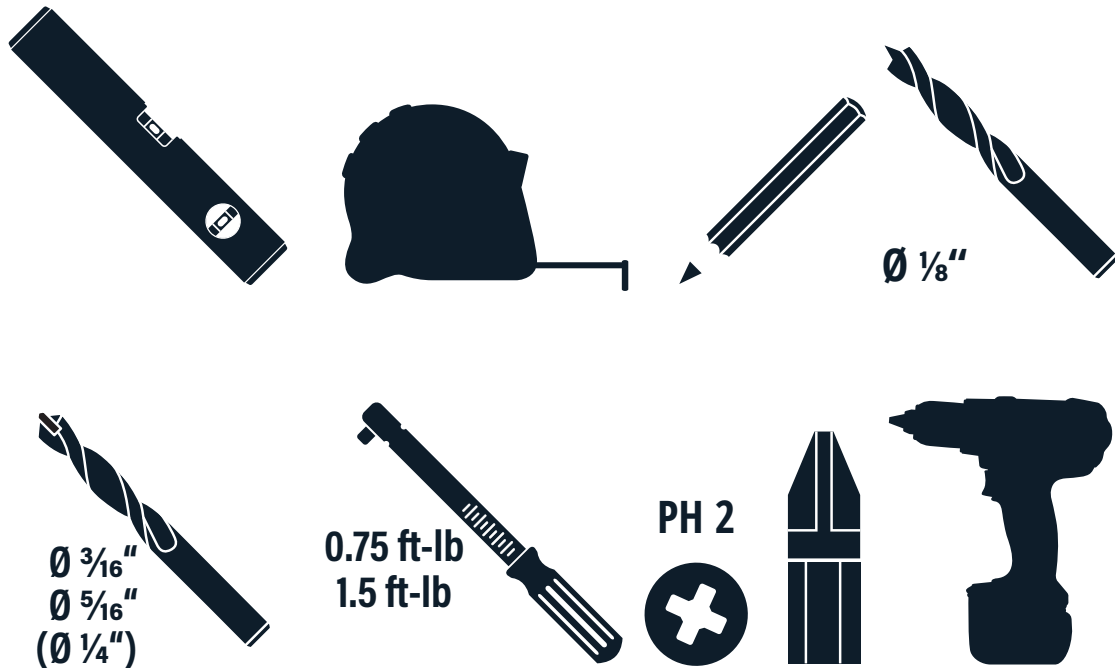
## Safety notes

Before assembly, please read the assembly instructions carefully. In case of difficulties in understanding, contact the customer service or your supplier. In order to assemble the purchased product properly, please use the tools indicated below.

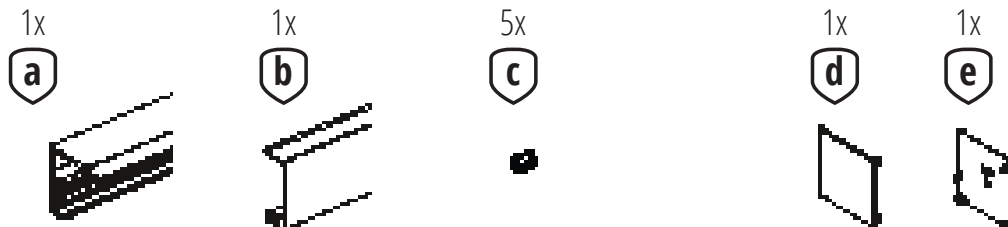
All components have been checked for integrity by Falkenstein before delivery. Falkenstein accepts no liability for damage caused by improper assembly or transport.

Attention: The optional soft close feature is a comfort accessoire. Vigorous slamming of the door can lead to damage and voids the warranty.

## Required tools

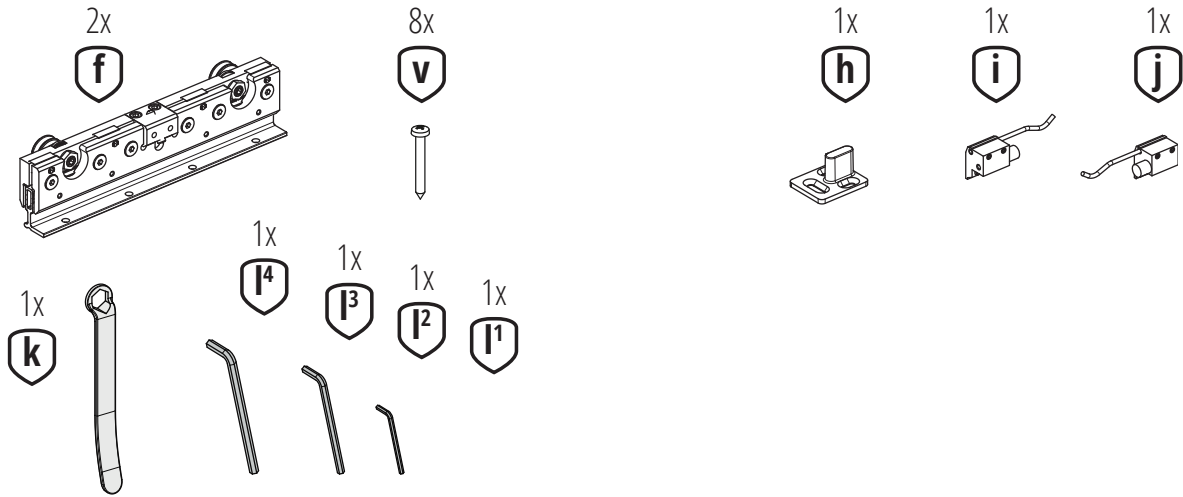


## Parts of the box track

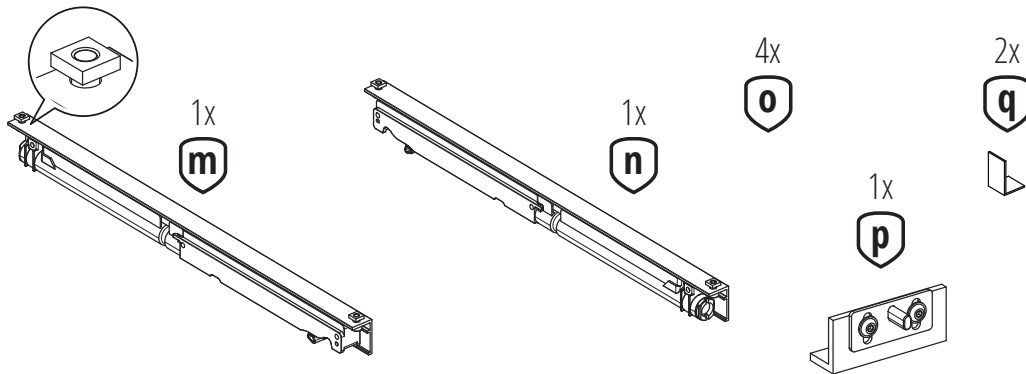


# MOUNTING PREPARATION | WOOD

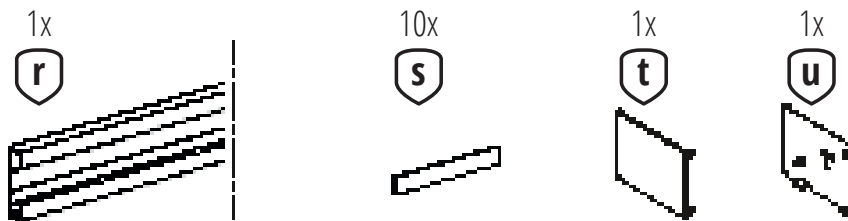
Hardware for wood doors up to 265 lb



Soft-Close for wood doors up to 176 lb (optional accessory)



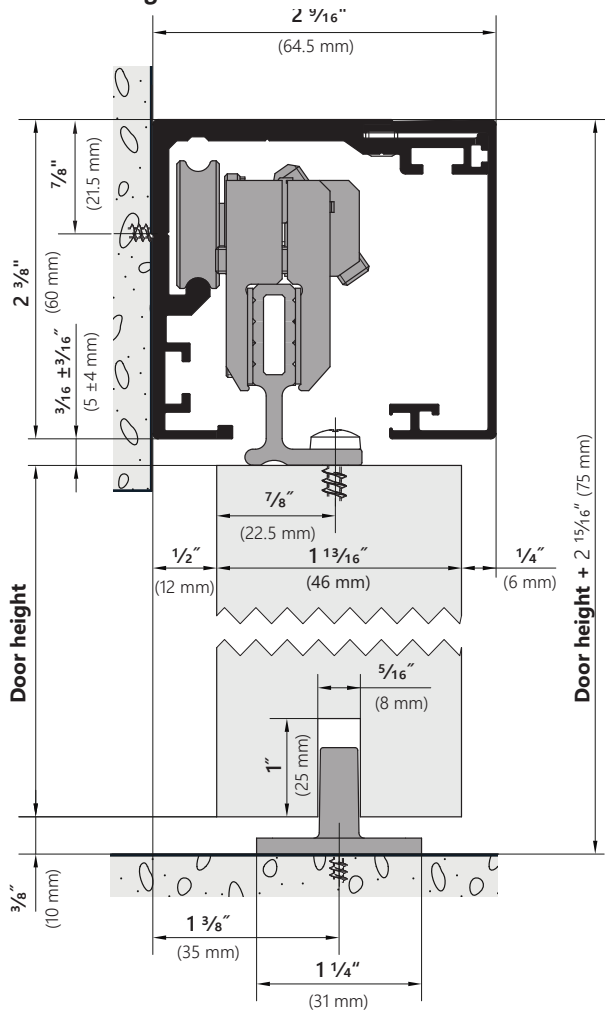
Distance profile (optional accessory)



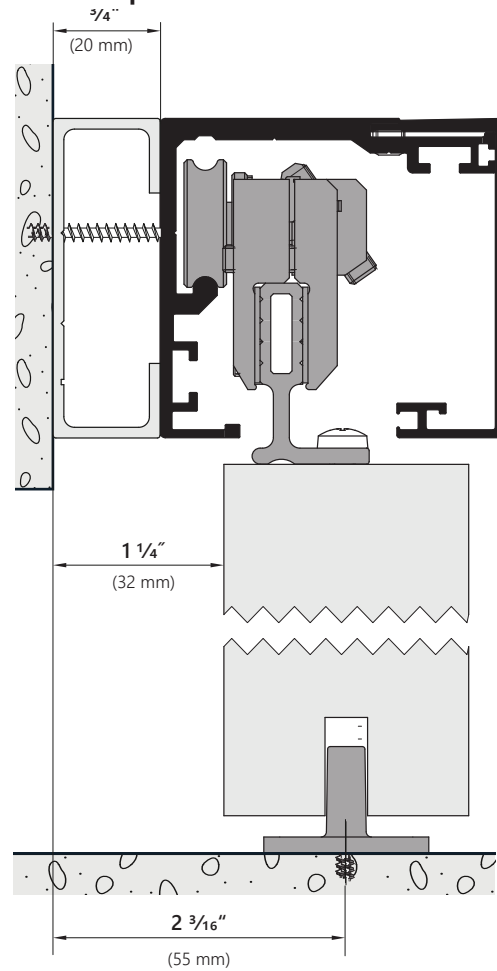
# DIMENSIONS | WOOD

## Side view

### Wall mounting

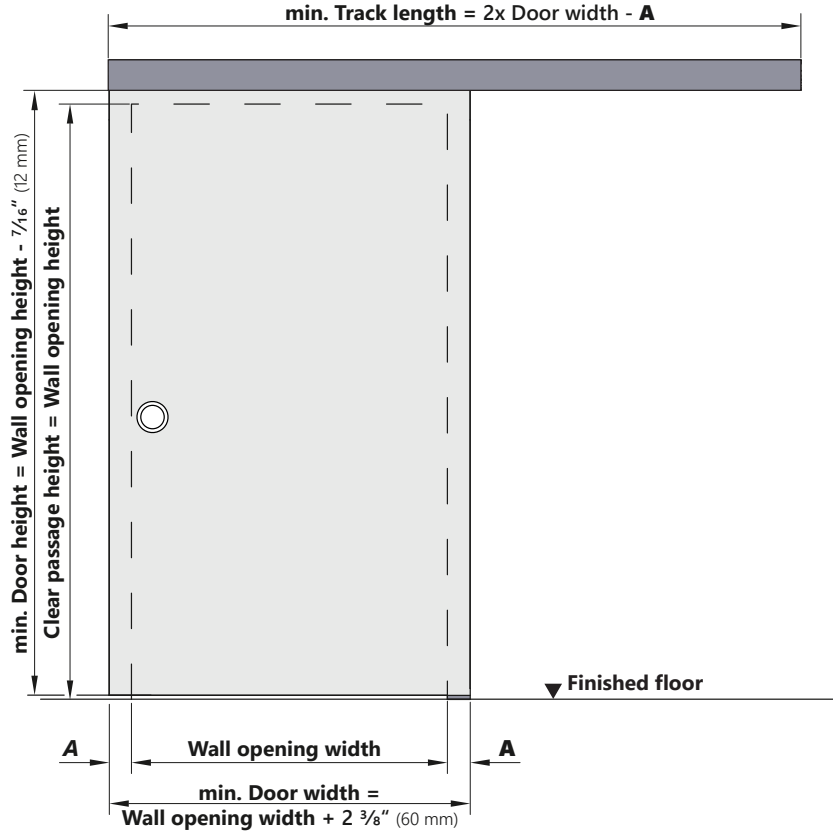


### With distance profile



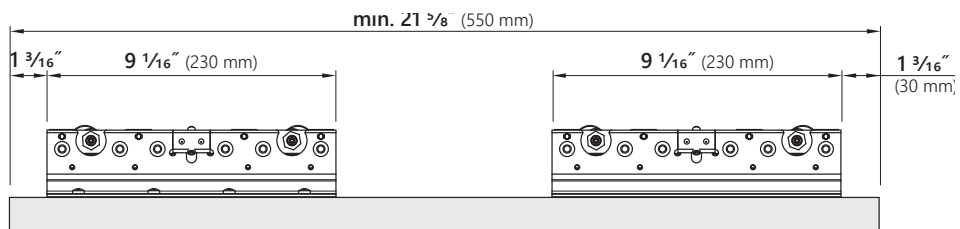
## Front view

Illustration shows opening direction to the right\*

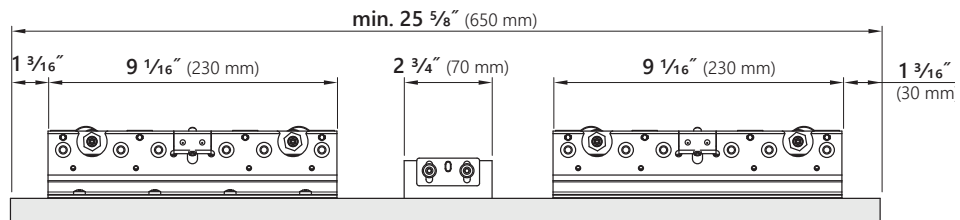


\* Opening direction can be easily switched to the left. It only depends on the box track position.

## Wood door mounts



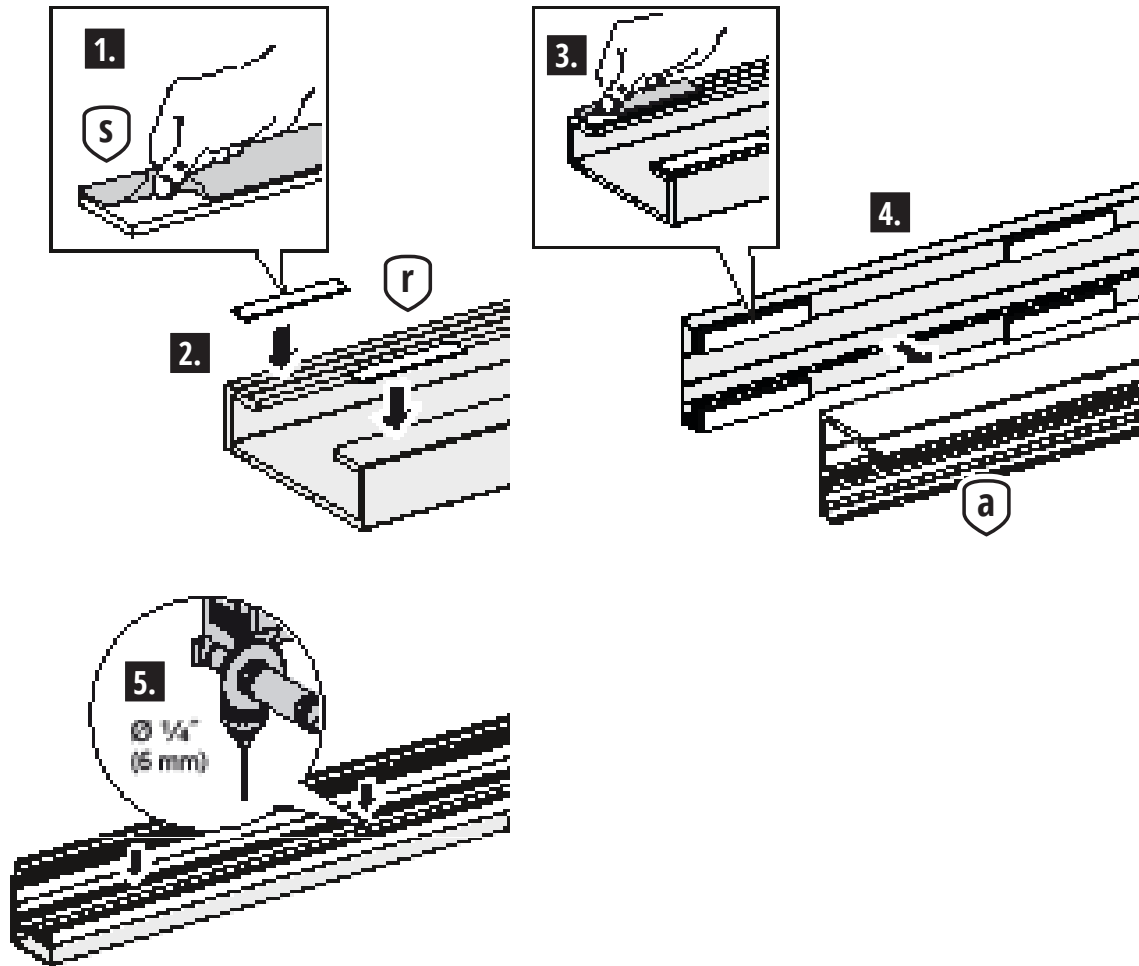
## Wood door mounts with Soft-Close activator



# MOUNTING | WOOD

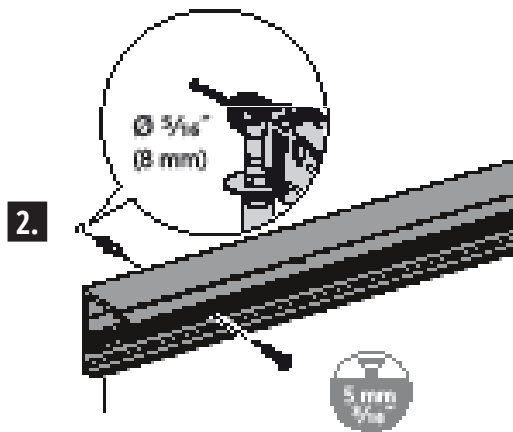
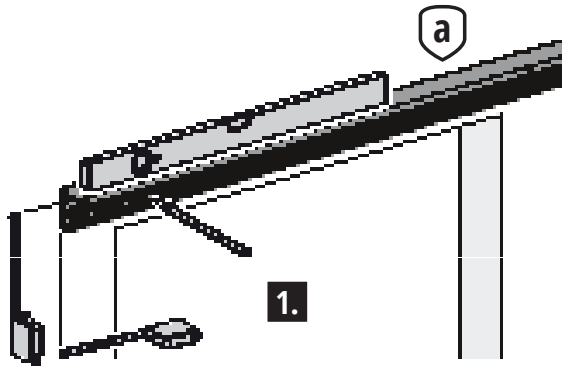
1.

With optional distance profile only

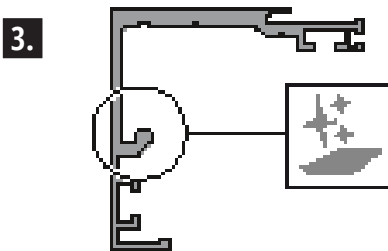


2.

.....



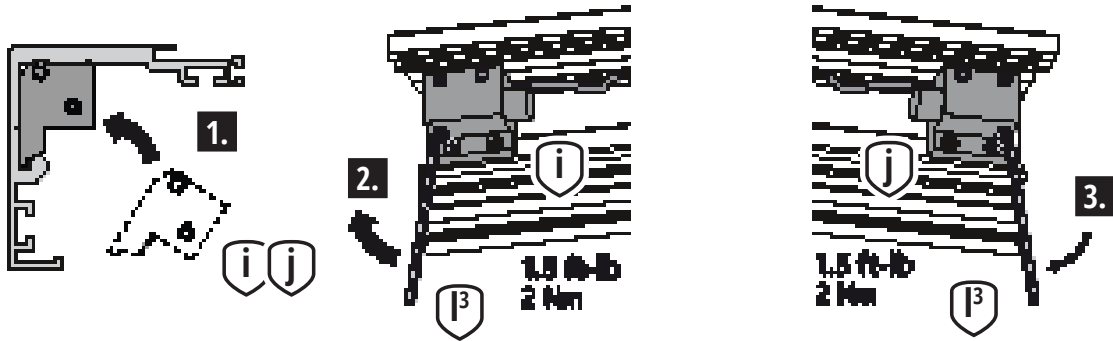
**!** The load-bearing capacity of the wall must be checked. Suitable fastening material must be provided by the customer!



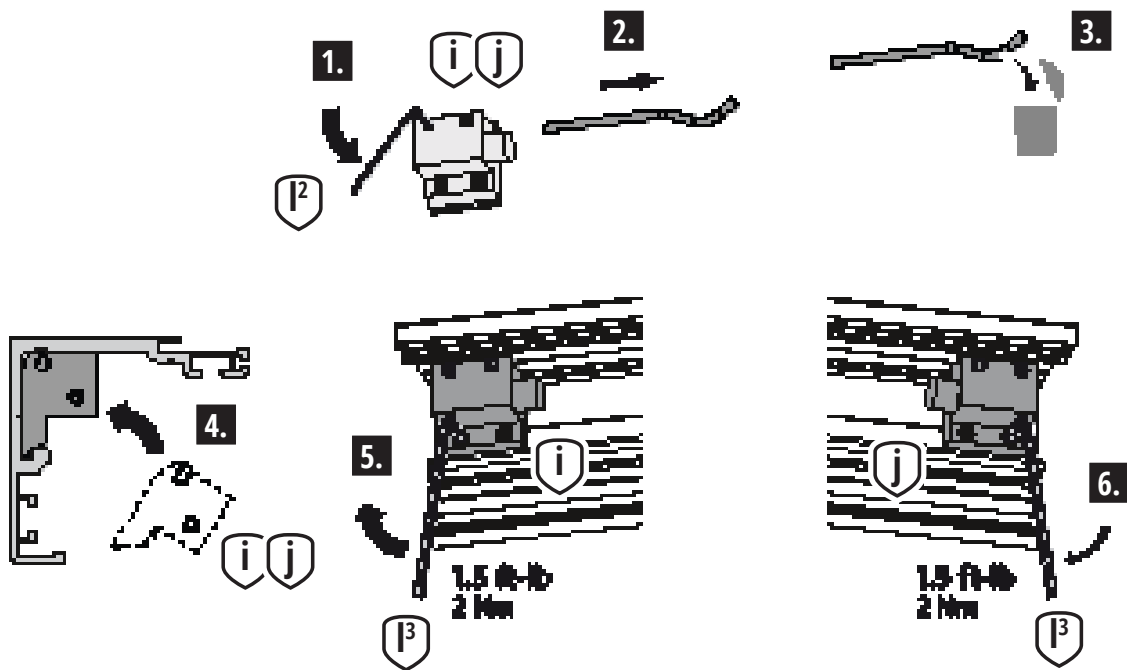
# MOUNTING | WOOD

3.

With hold-in-place end stops



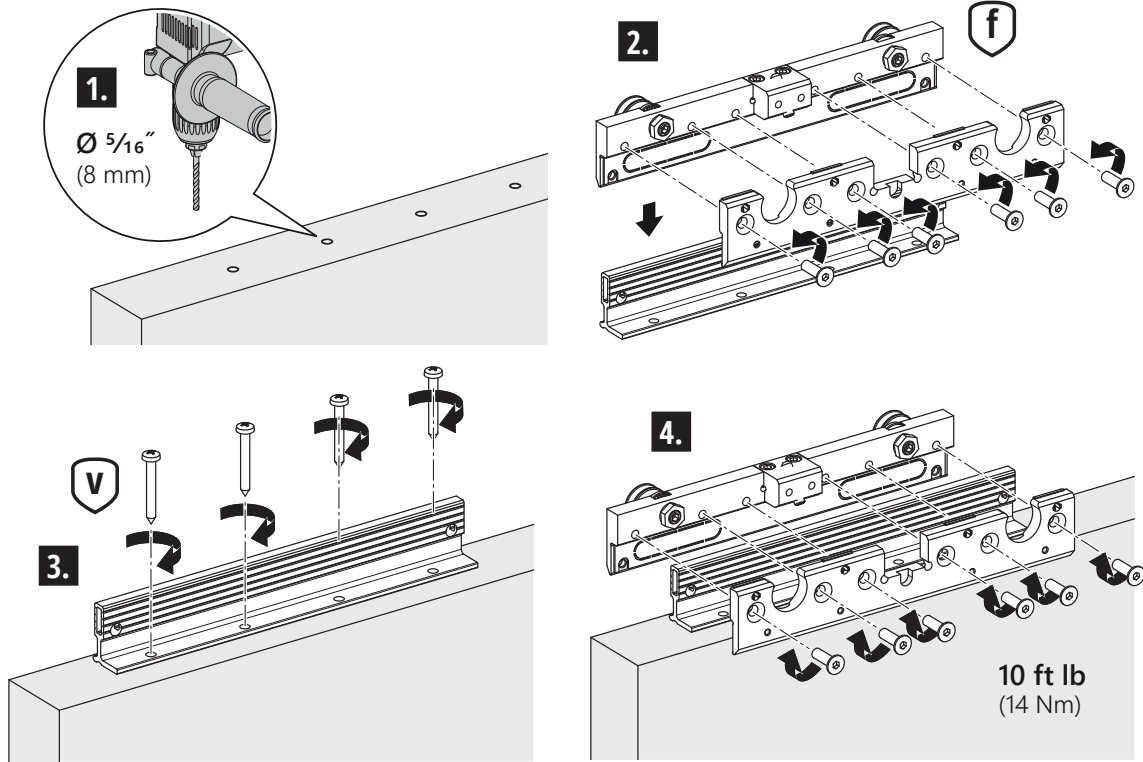
With Soft-Close





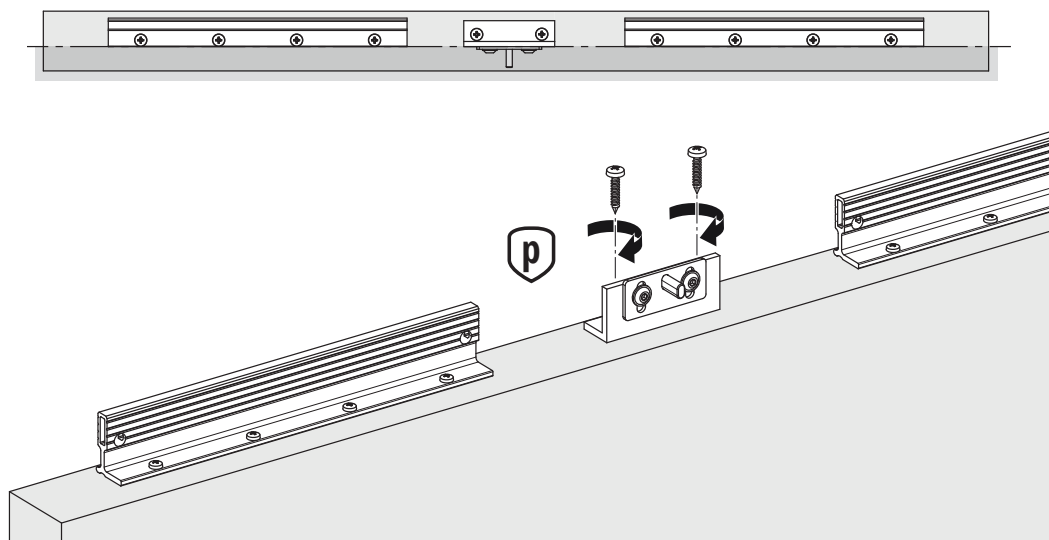
# MOUNTING | WOOD

4.



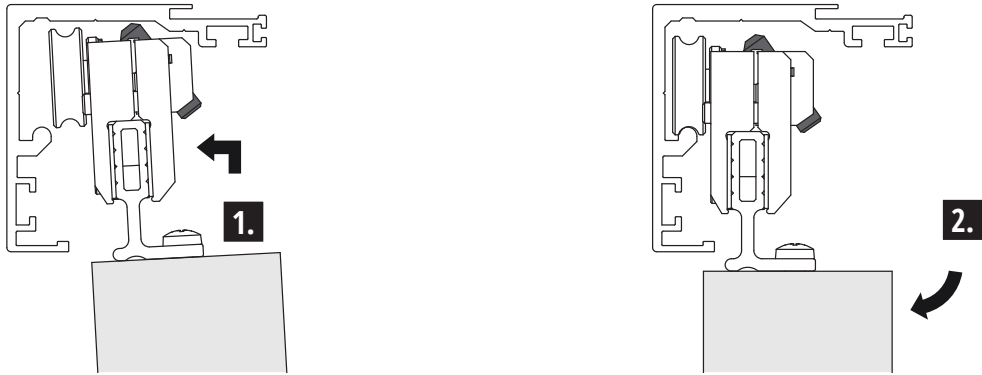
5.

With optional Soft-Close only

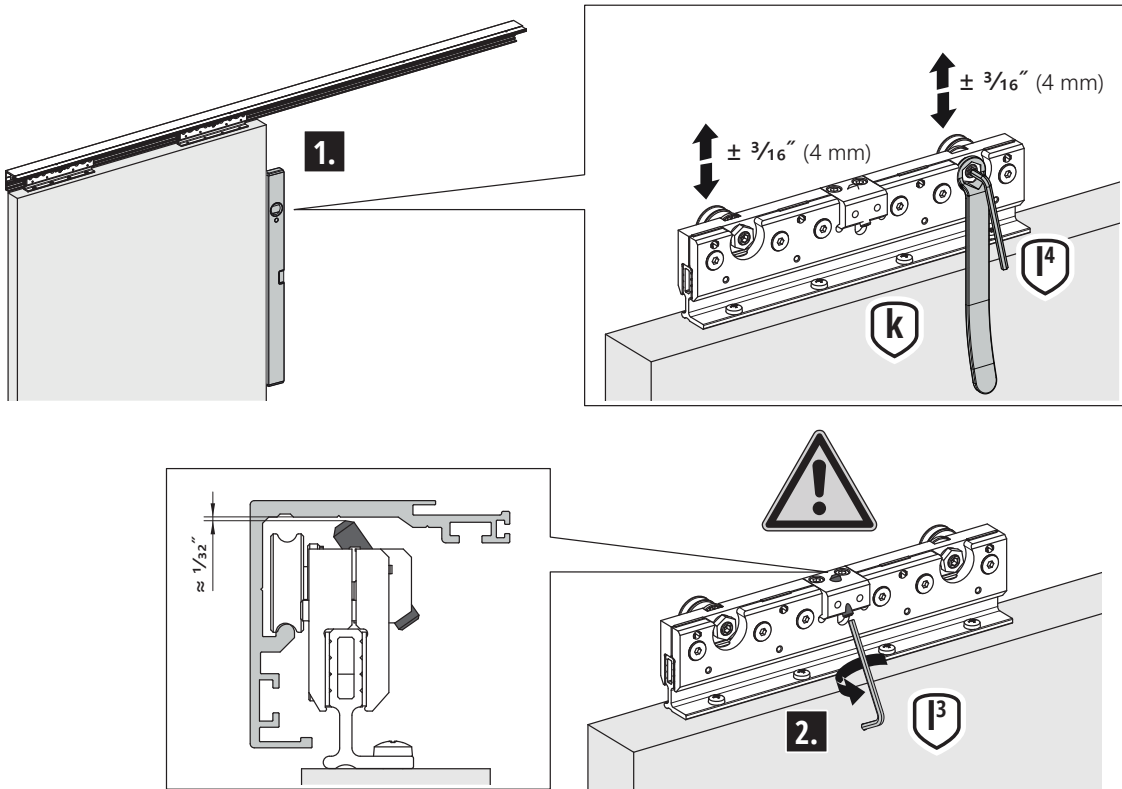


# MOUNTING | WOOD

6.

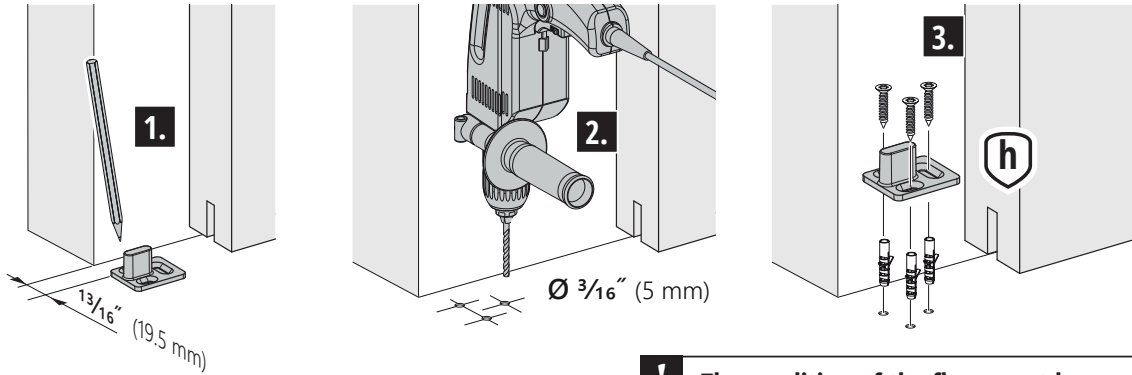


7.



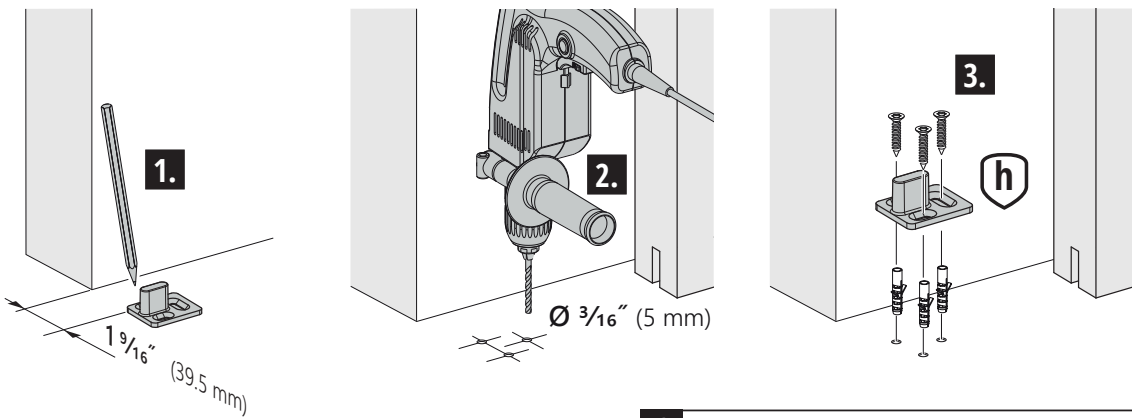
8.

## Without distance profile



**!** The condition of the floor must be checked. Suitable fastening material must be provided by the customer!

## With distance profile

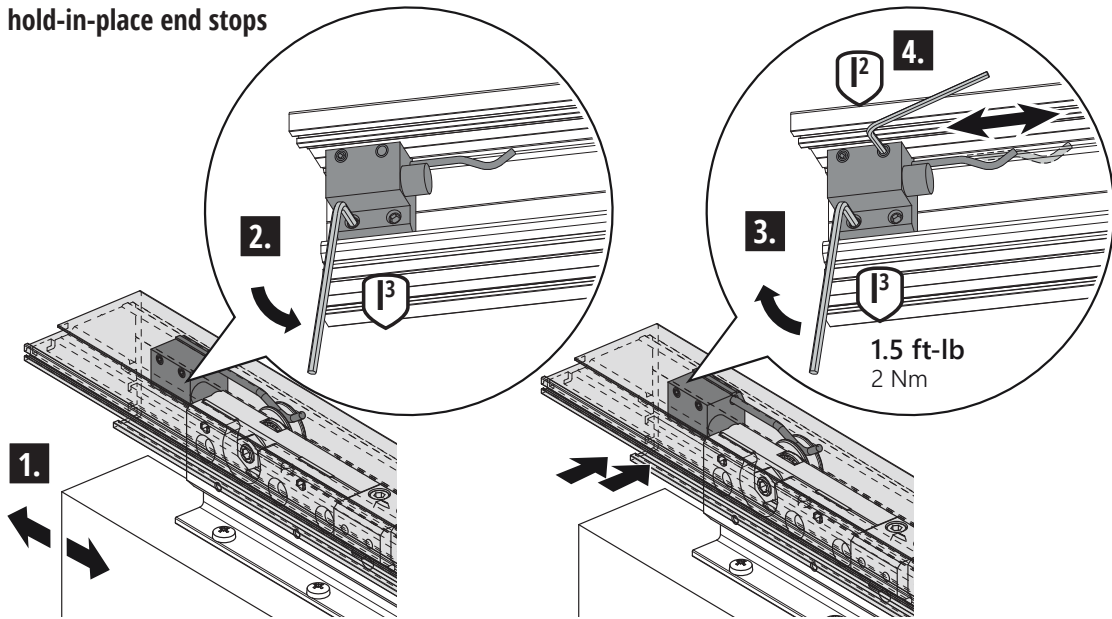


**!** The condition of the floor must be checked. Suitable fastening material must be provided by the customer!

# MOUNTING | WOOD

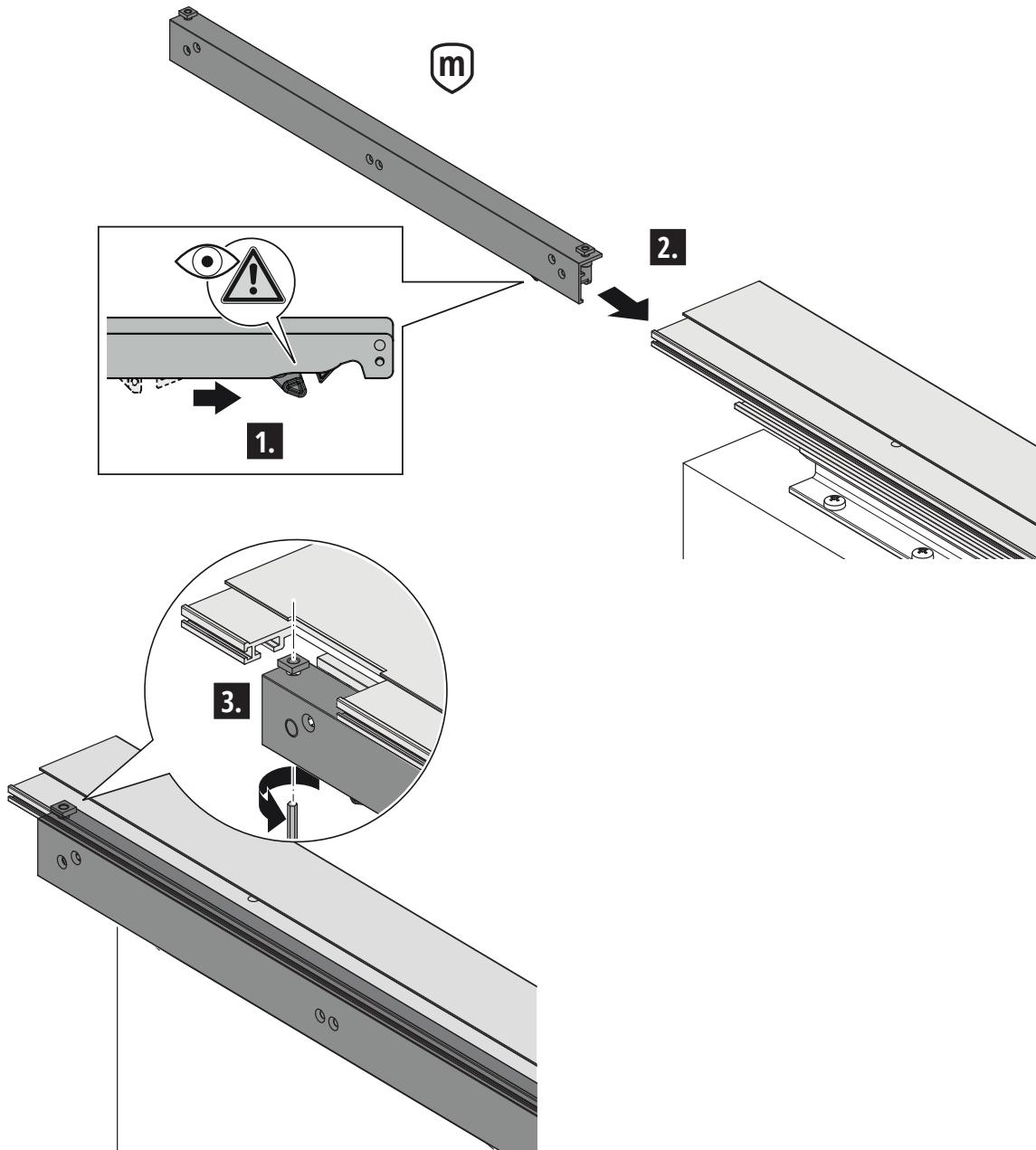
9.

With hold-in-place end stops



## 10.1.

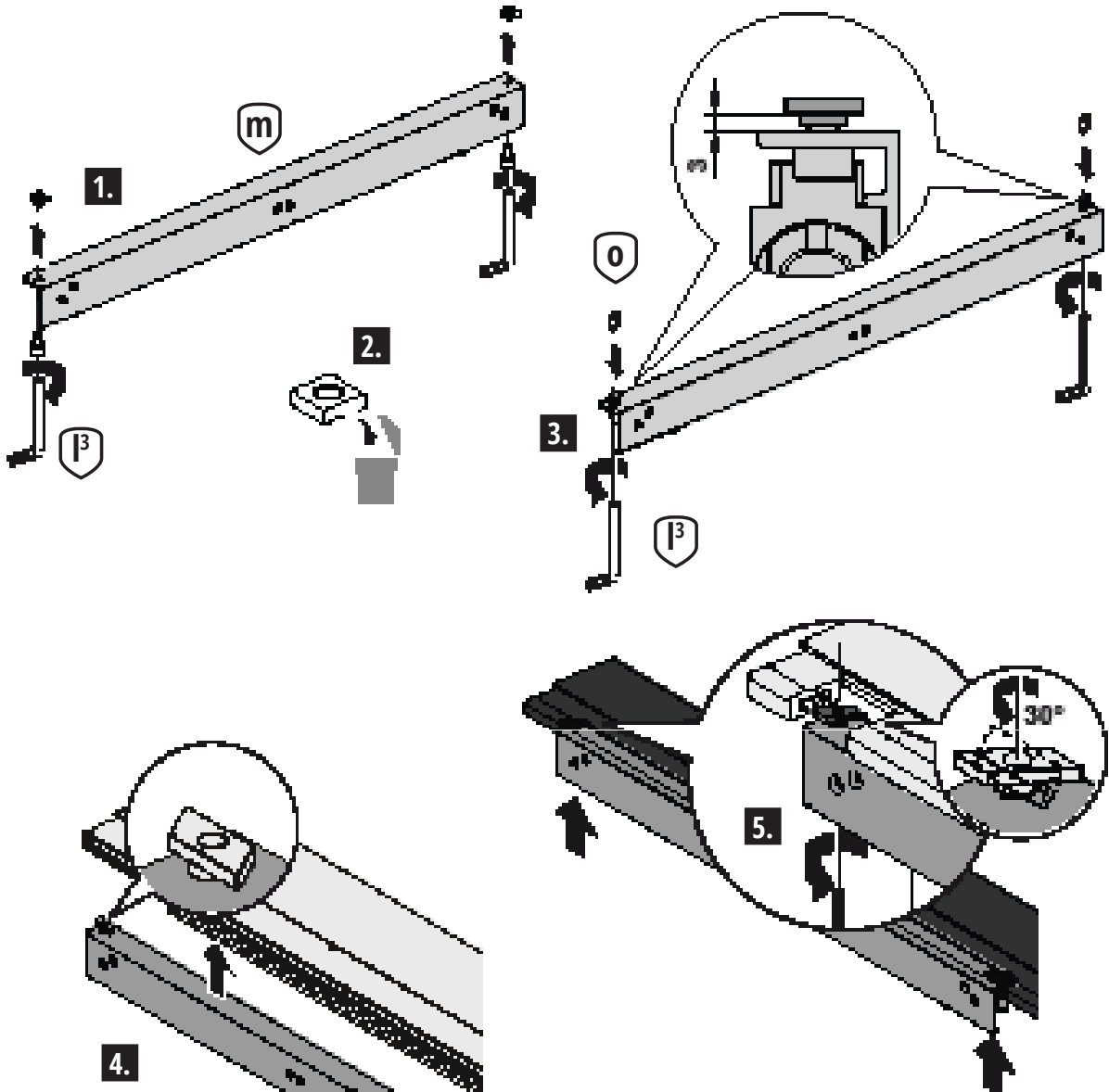
With Soft-Close



# MOUNTING | WOOD

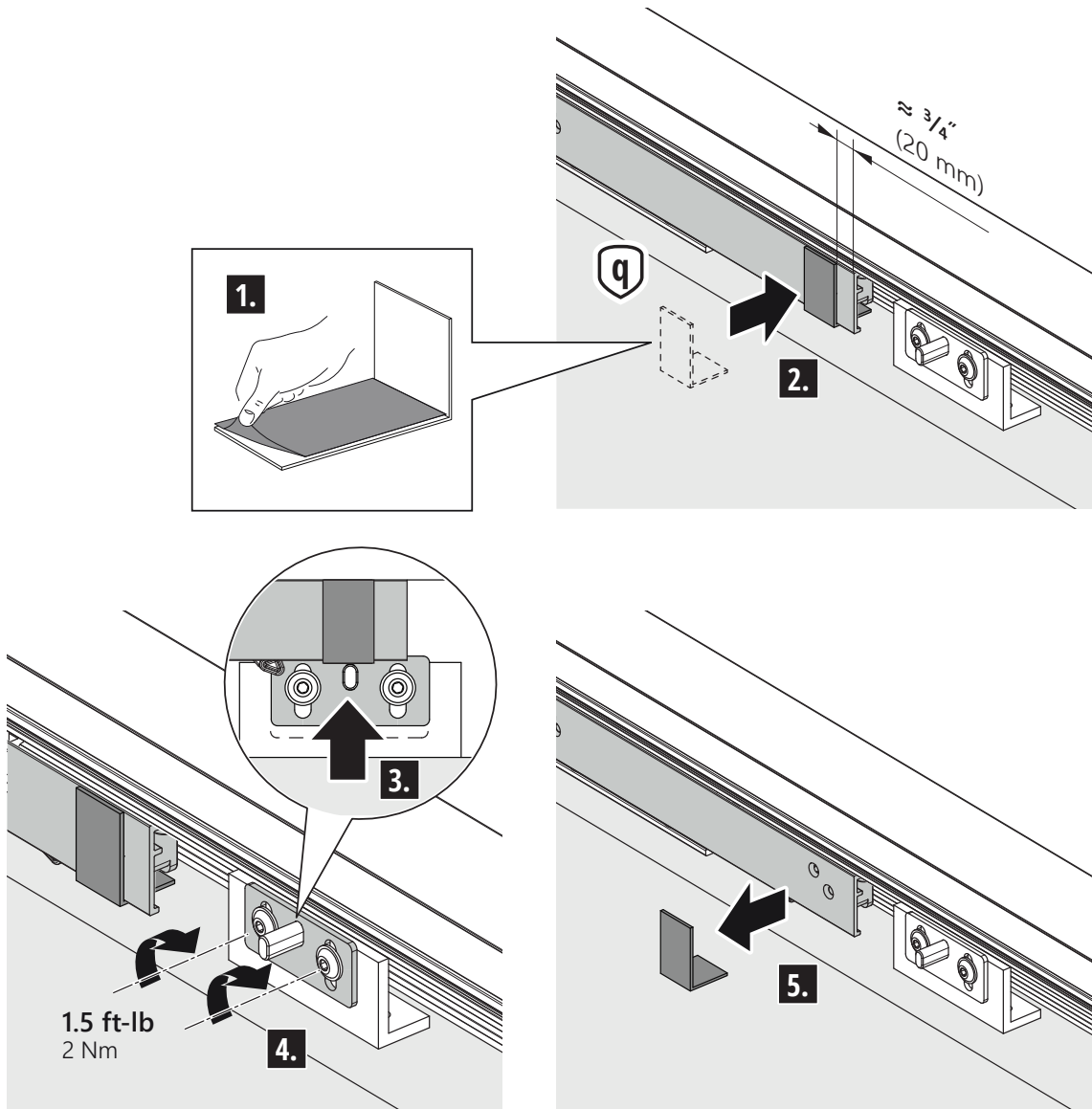
Mounting option: Mounting the Soft-Close from below

---



## 10.2.

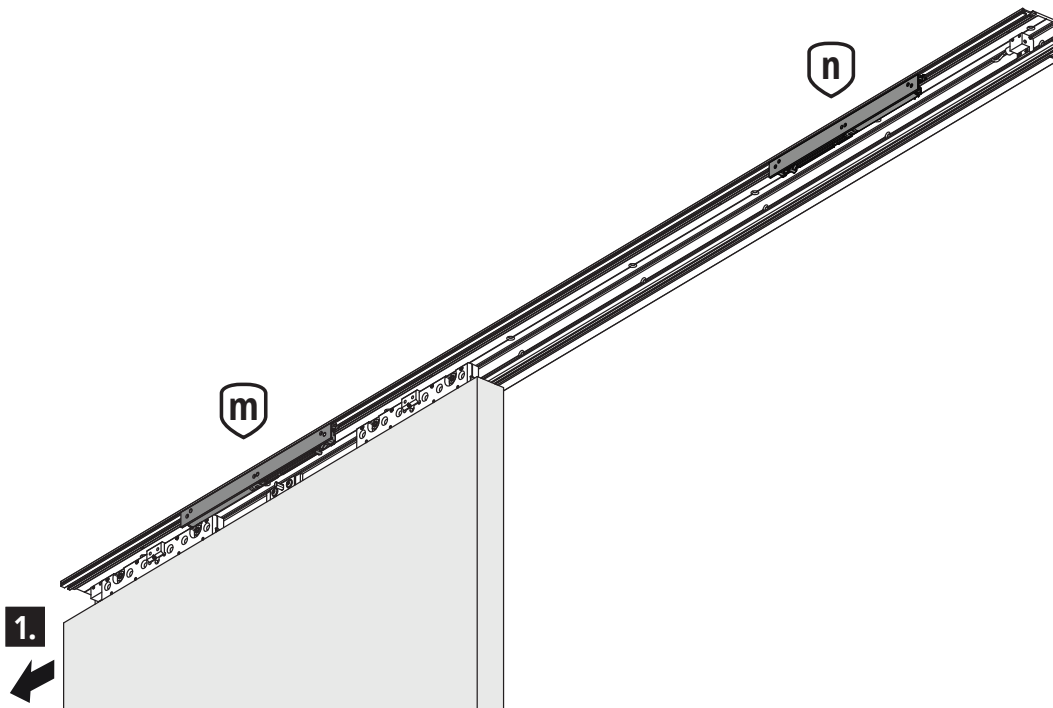
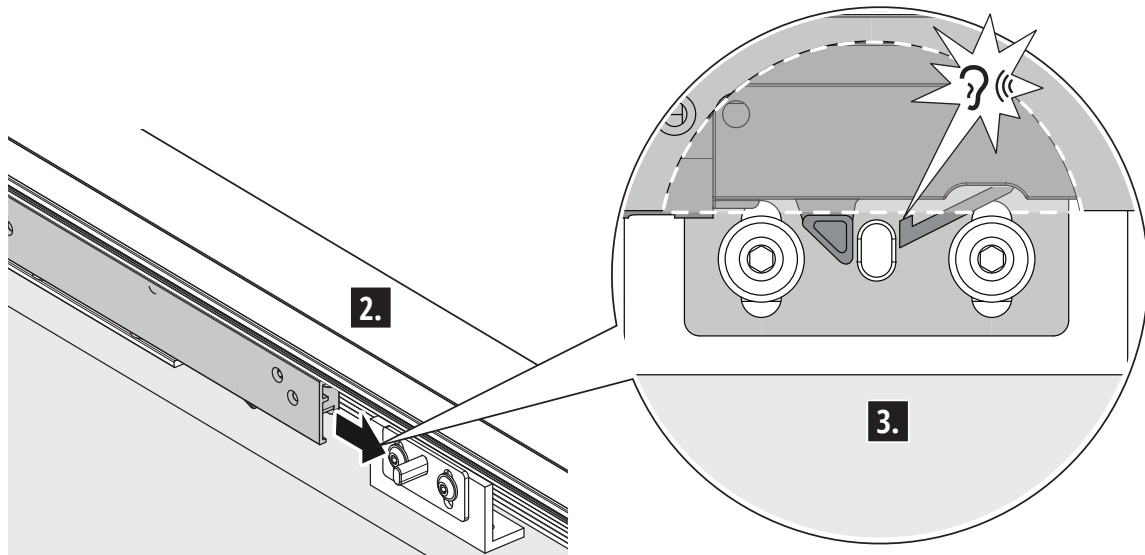
With Soft-Close



# MOUNTING | WOOD

## 10.3.

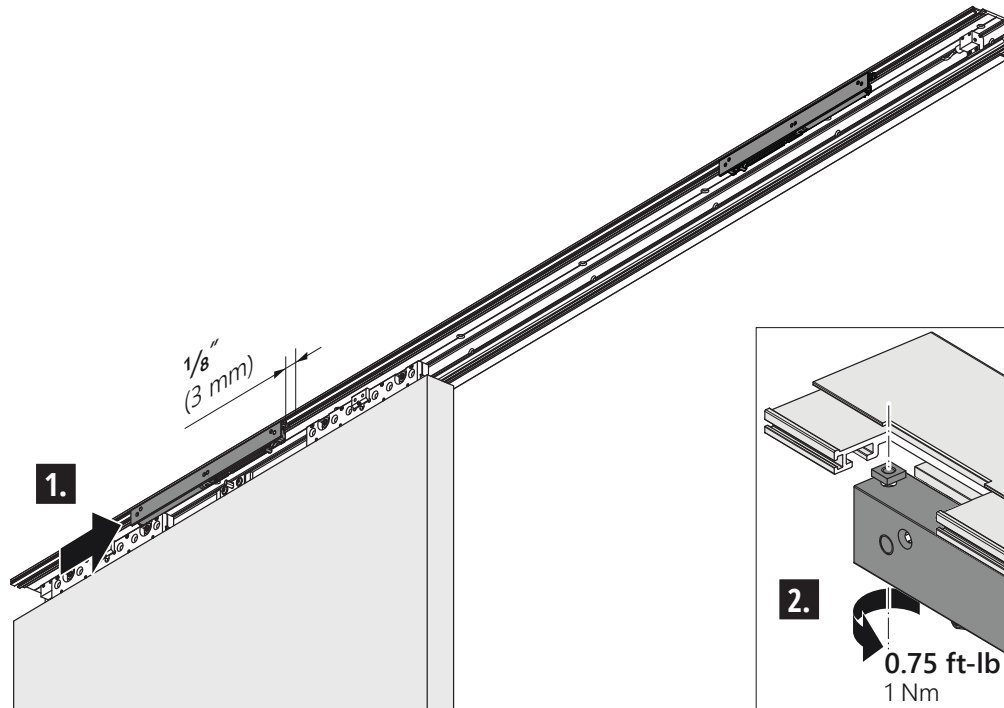
With Soft-Close



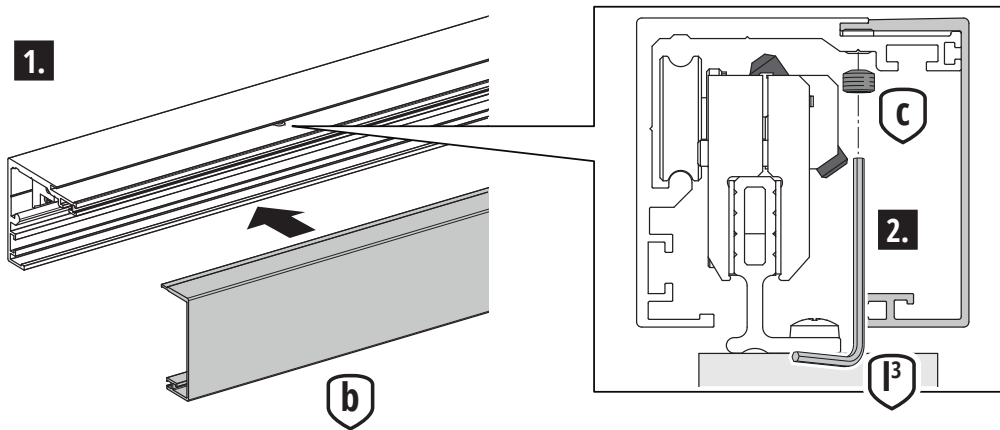


## 10.4.

With Soft-Close



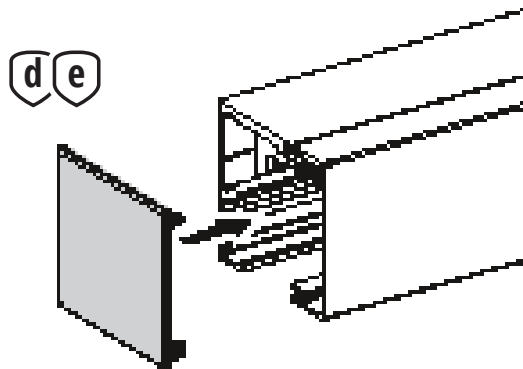
## 11.



# MOUNTING | WOOD

12.

Without distance profile



With distance profile

