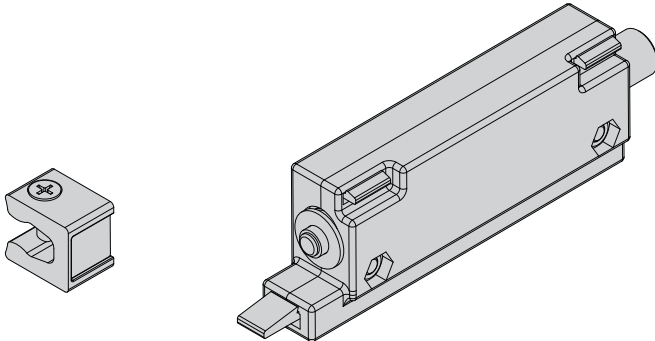


INSTALLATION INSTRUCTIONS

PUSH-TO-OPEN FOR POCKET DOOR FRAMING
AND HARDWARE KIT



PREPARATION

Product description

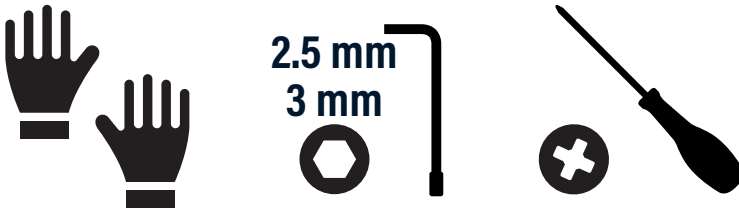
The Push-To-Open accessory is for use with the compatible pocket door framing and hardware kit only. In case of uncertainty, please contact your supplier. It is suitable for wood or glass doors up to 176 lb (80 kg) with a minimum width of 24" (26" when combined with a closing direction Soft-Close).

Safety notes

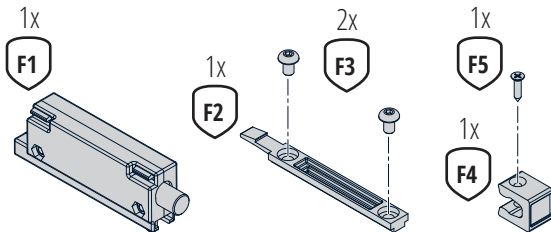
Before assembly, please read the assembly instructions carefully. In case of difficulties in understanding, contact the customer service or your supplier. In order to assemble the purchased product properly, please use the tools indicated on the following page. Since some parts may have sharp edges, also be sure to protect your hands and work surfaces

from cuts or scratches. During assembly, always ensure that you work ergonomically and only assemble alone if you can rule out any risk to your health or other persons. All components were checked for integrity before delivery. No liability is accepted for damage caused by improper assembly or transport.

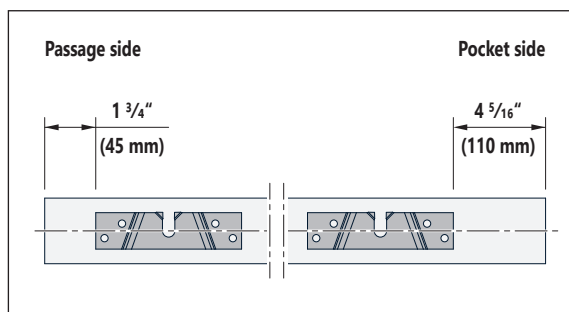
Required tools



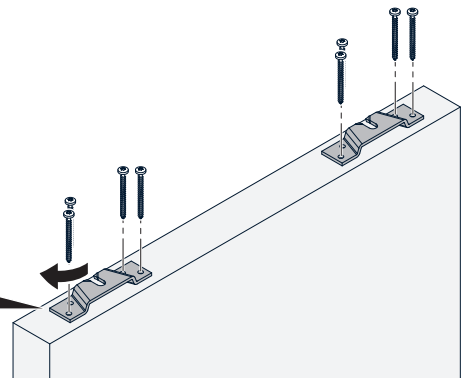
Scope of delivery



Positioning of the door mount

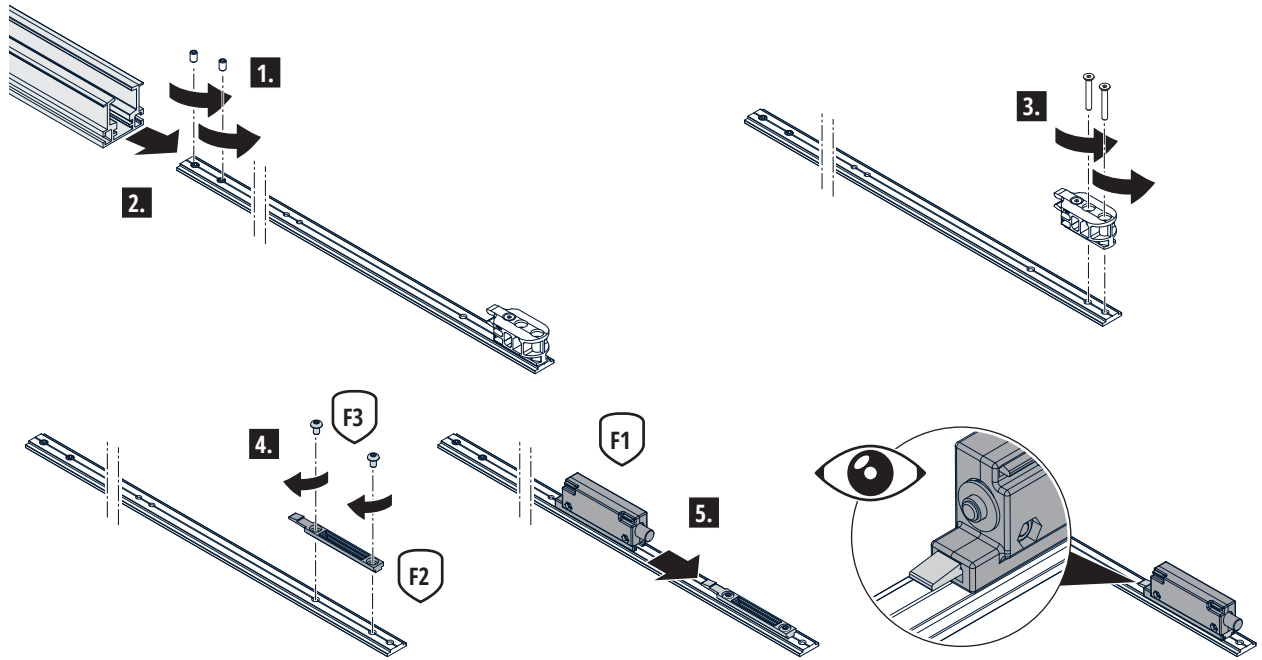


When using recessed wood mounts or glass clamps, please consult the corresponding instructions for correct mounting positions.

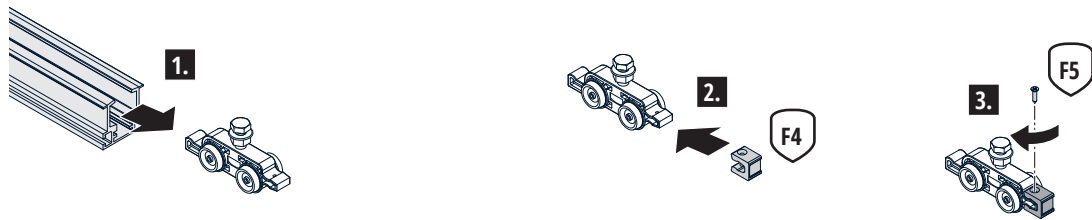


PUSH-TO-OPEN INSTALLATION

1.



2.



3.

