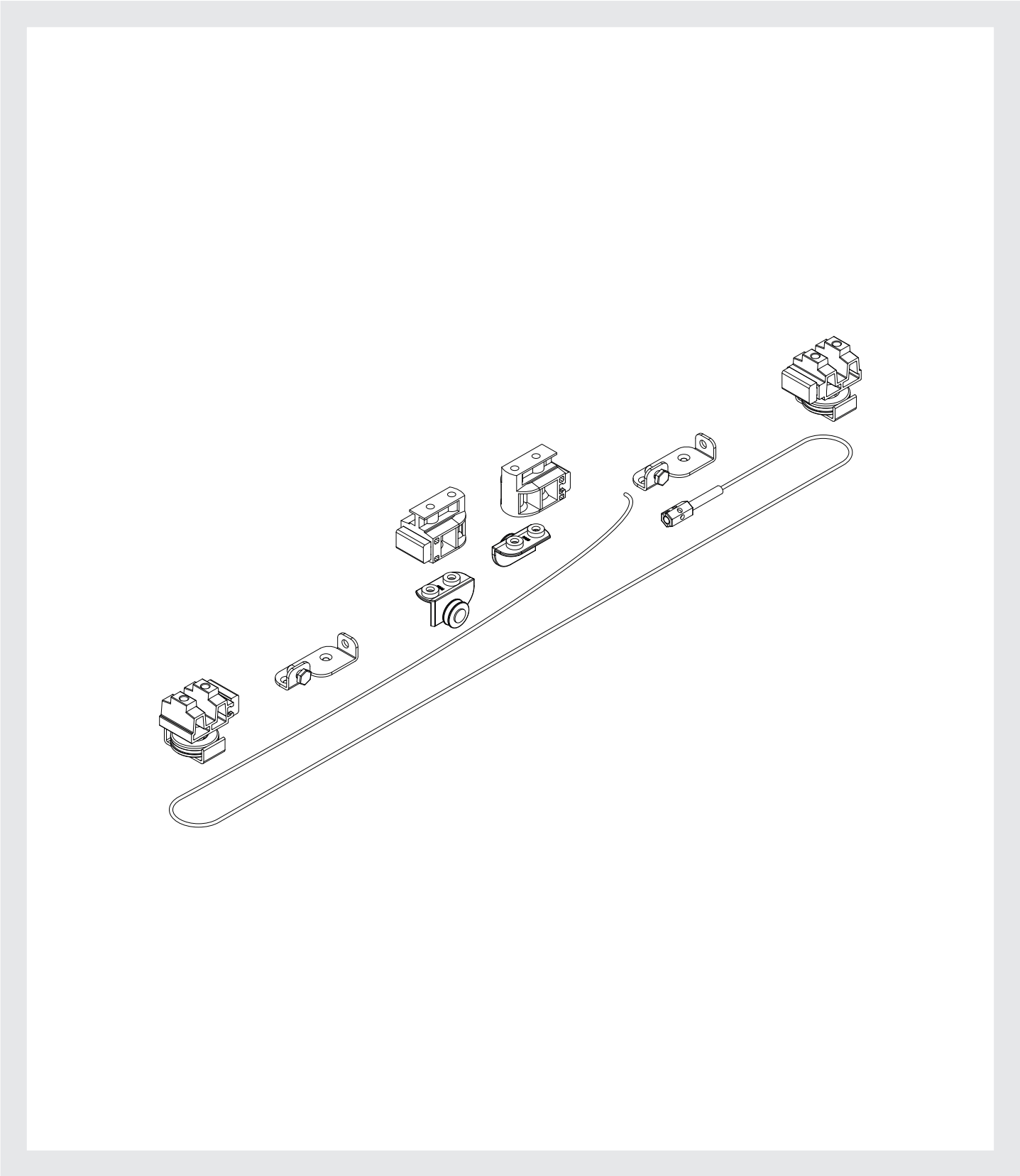


INSTALLATION INSTRUCTIONS

BI-PARTING DOOR SYNC FOR POCKET DOOR FRAMING AND HARDWARE KIT



PREPARATION

Product description

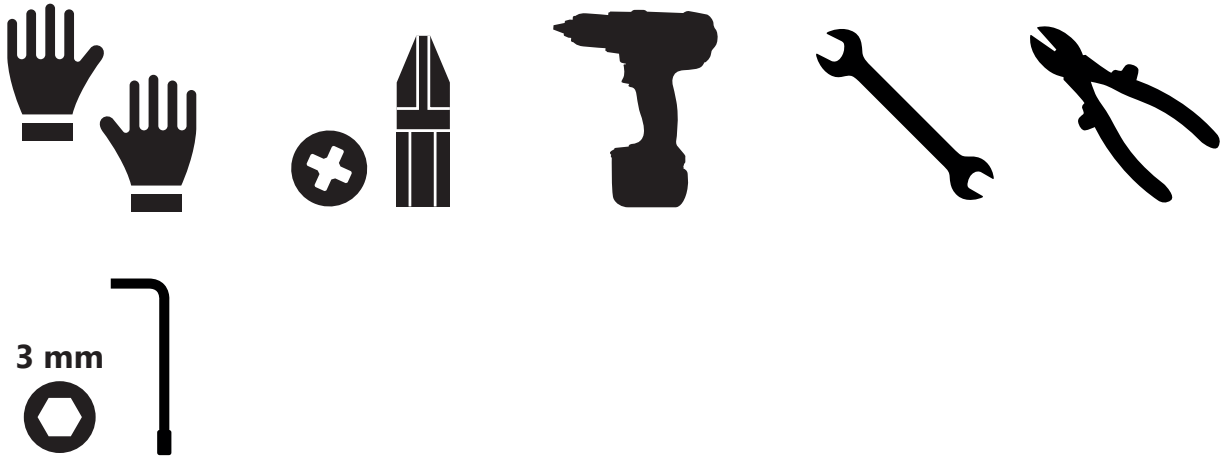
The Sync accessory is for use with the compatible pocket door framing and hardware kit only. In case of uncertainty, please contact your supplier. It is suitable for wood doors (standard mounts only) up to 176 lb (80 kg) per door.

Safety notes

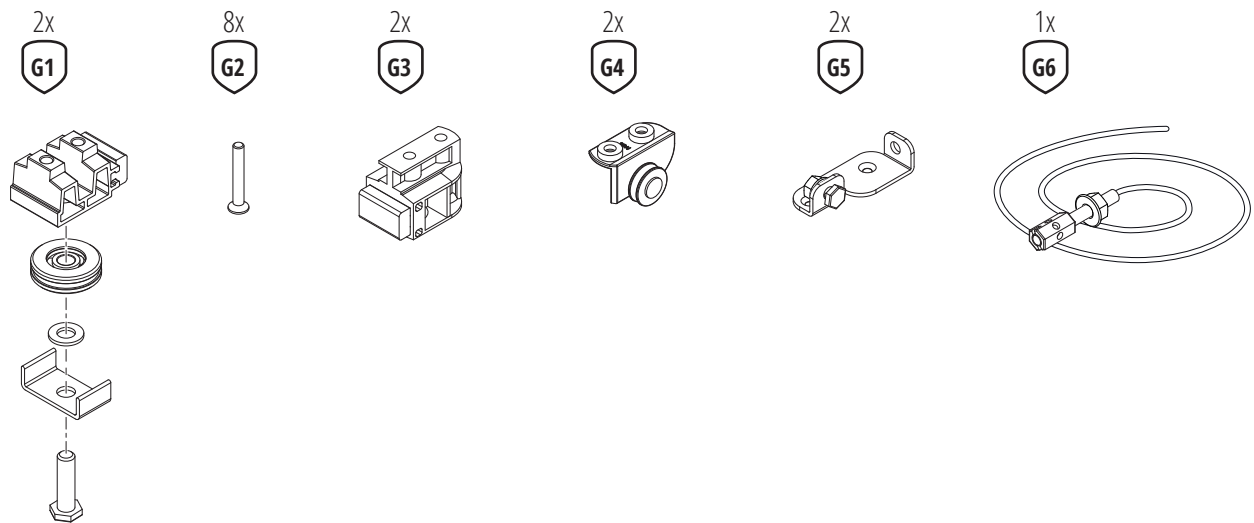
Before assembly, please read the installation instructions carefully. In case of difficulties in understanding, contact the customer service or your supplier. In order to assemble the purchased product properly, please use the tools indicated on the following page. Since some parts may have sharp edges, also be sure to protect your hands and work surfaces

from cuts or scratches. During assembly, always ensure that you work ergonomically and only assemble alone if you can rule out any risk to your health or other persons. All components were checked for integrity before delivery. No liability is accepted for damage caused by improper assembly or transport.

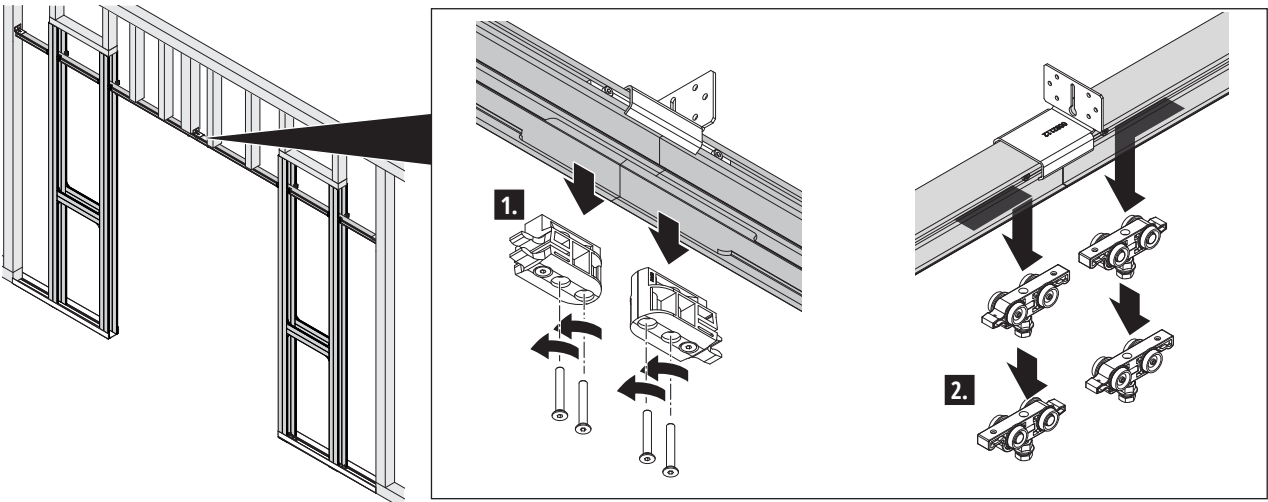
Required tools



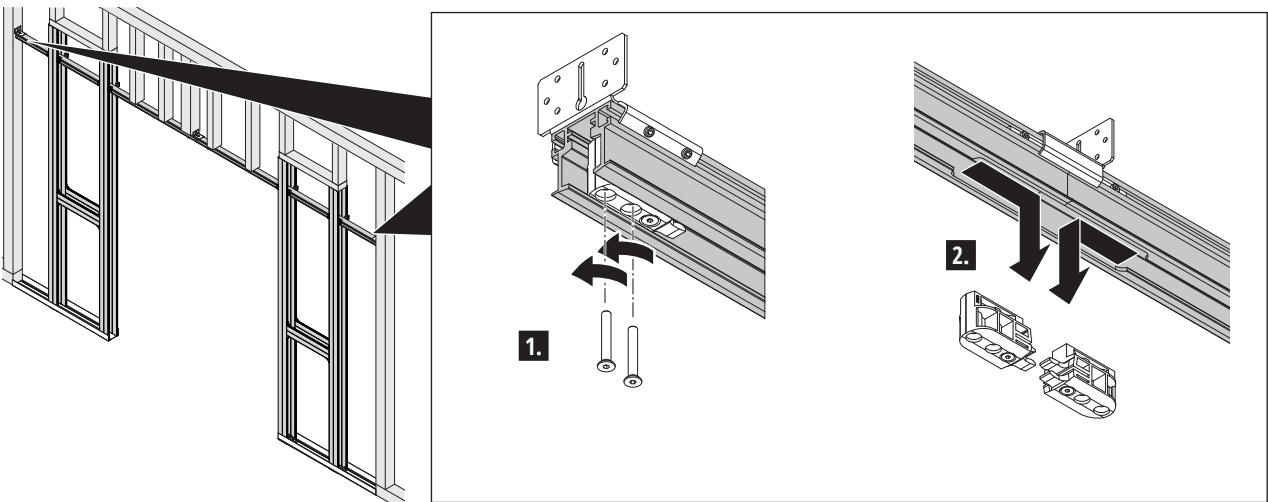
Scope of delivery



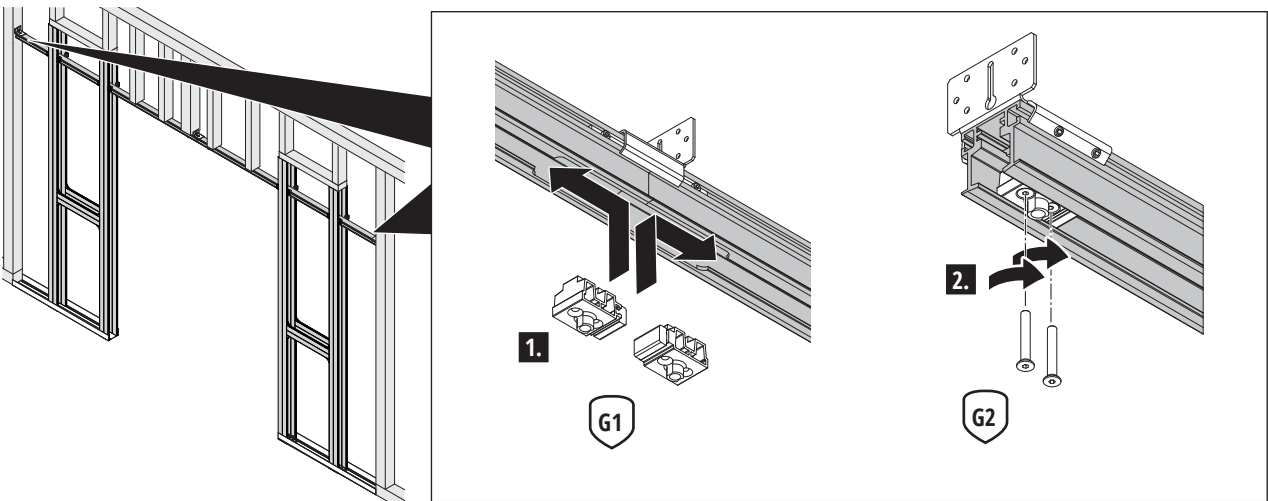
1.



2.

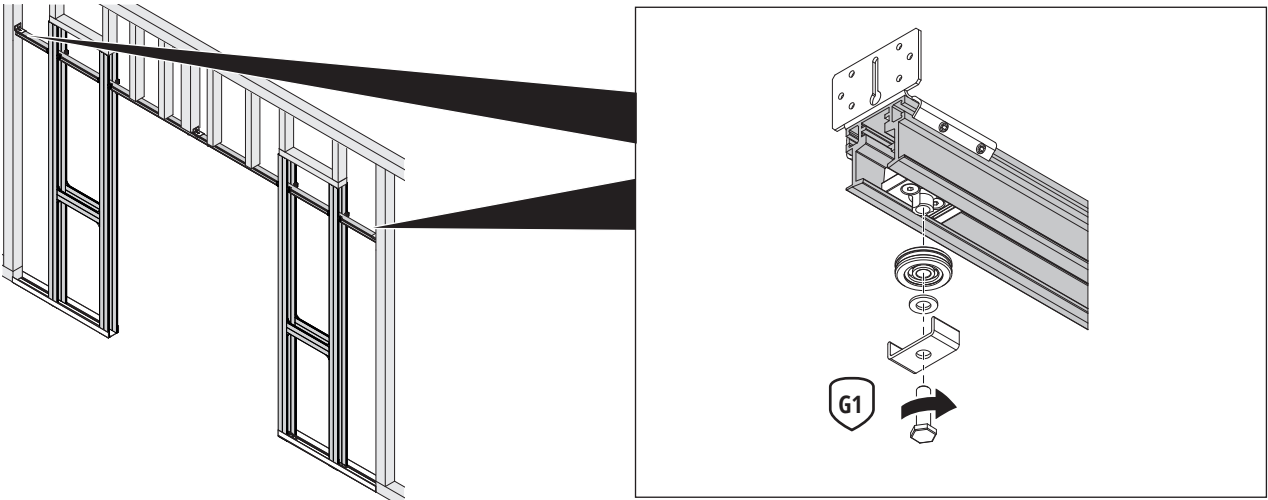


3.

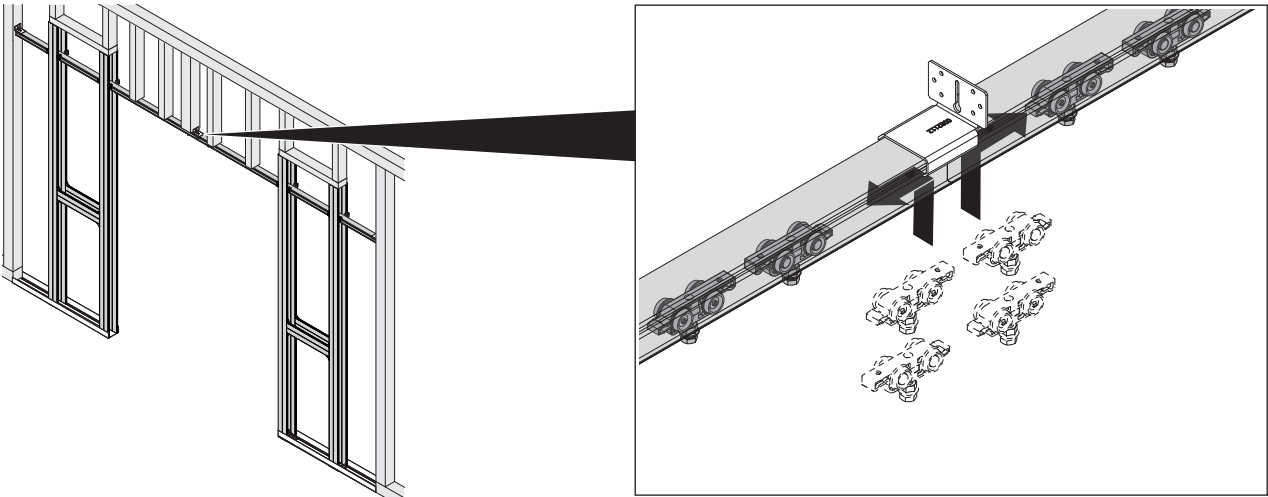


INSTALLATION

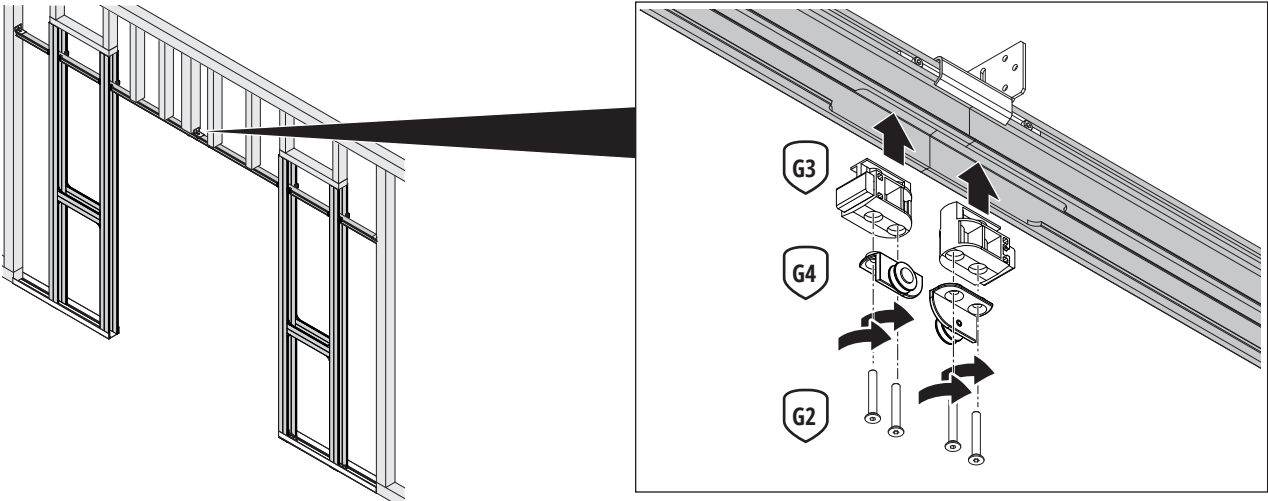
4.



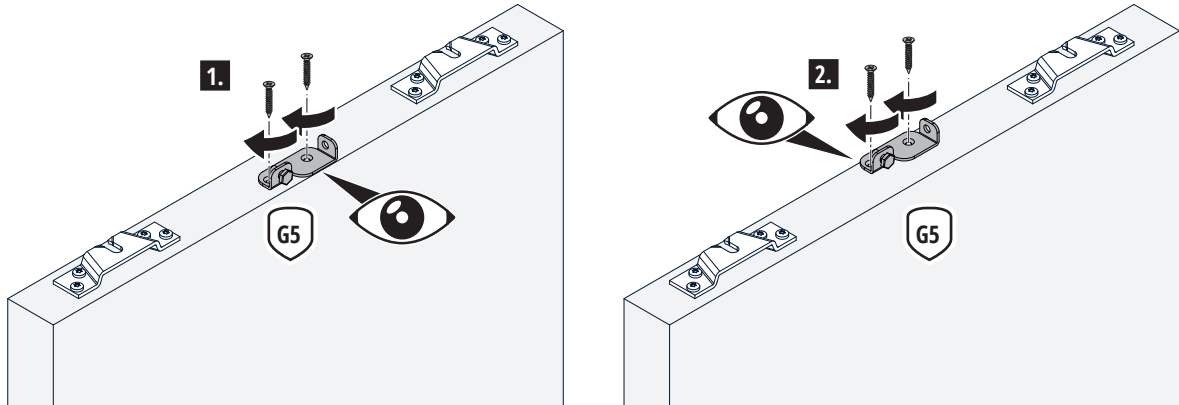
5.



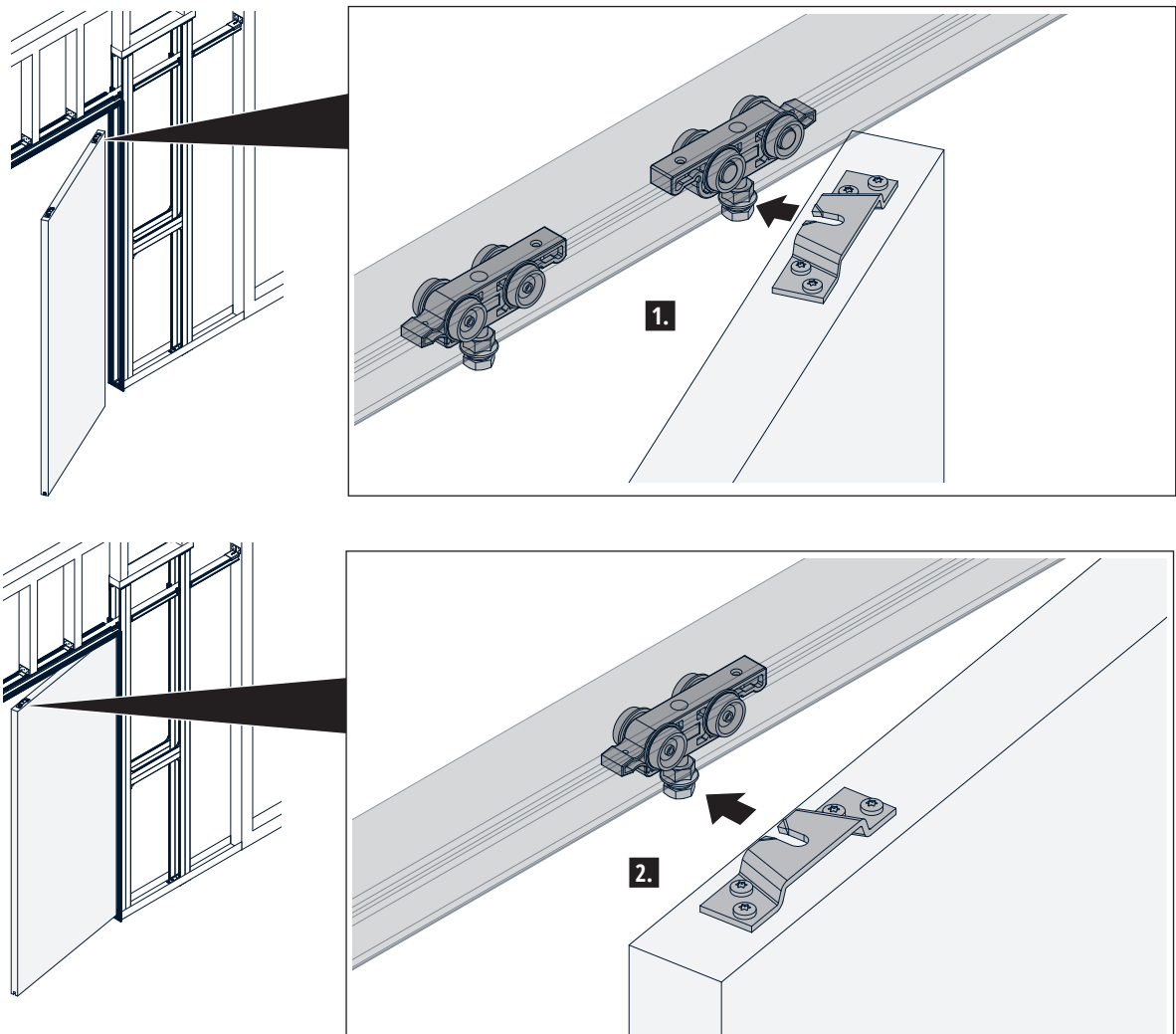
6.



7.

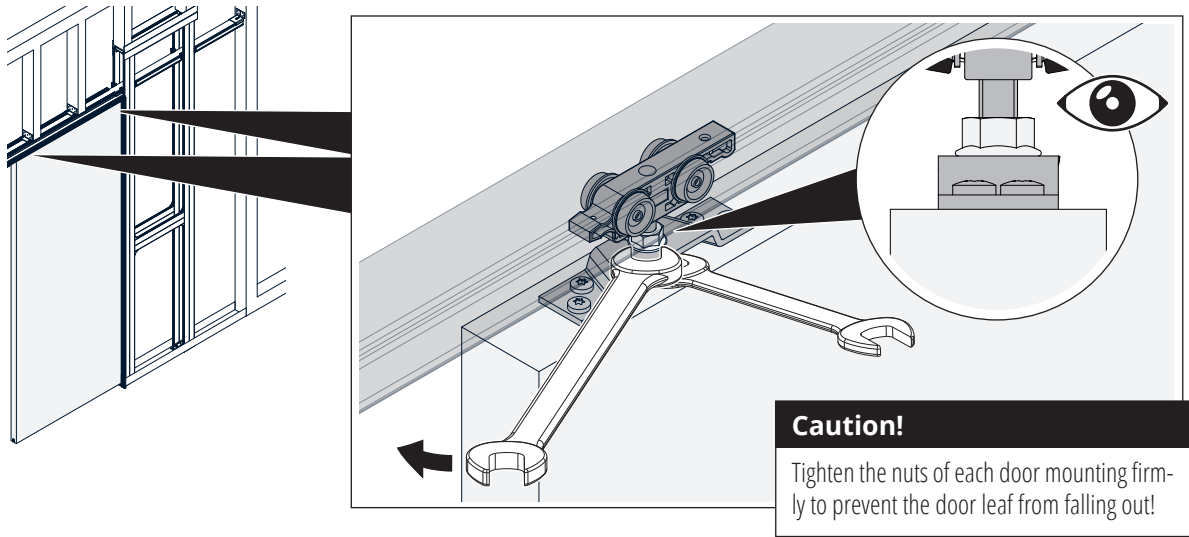


8.

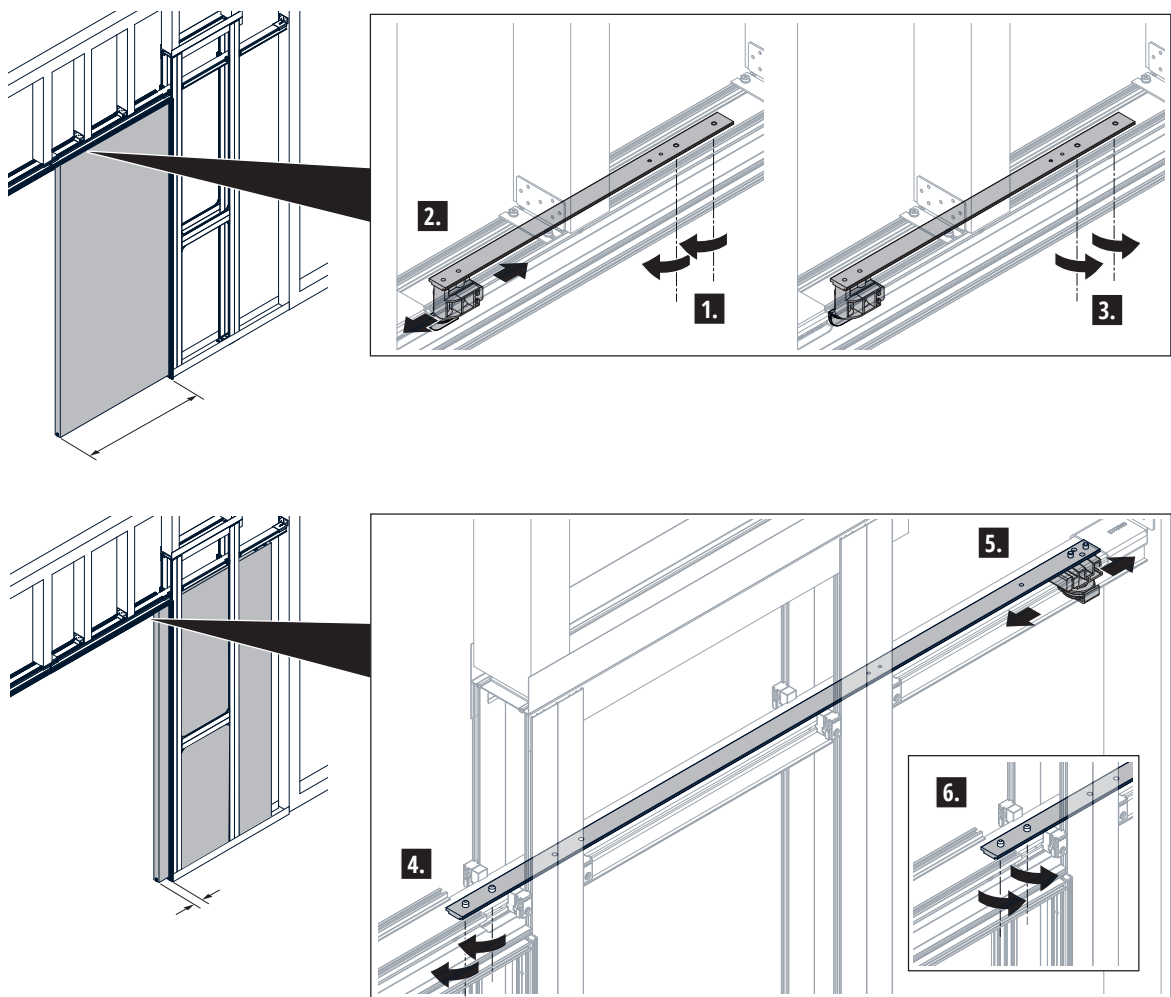


INSTALLATION

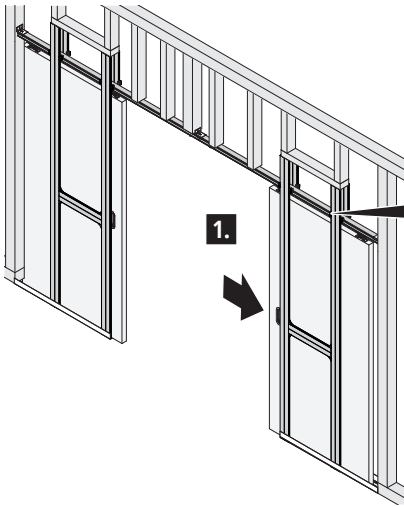
9.



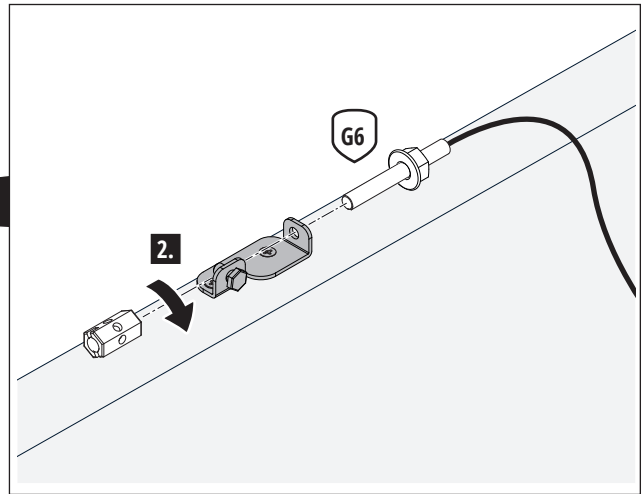
10.



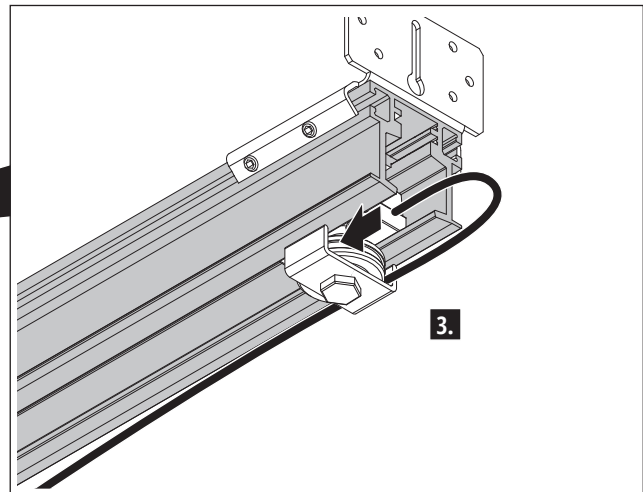
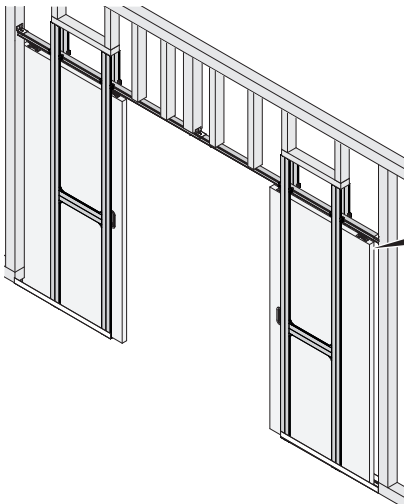
11.



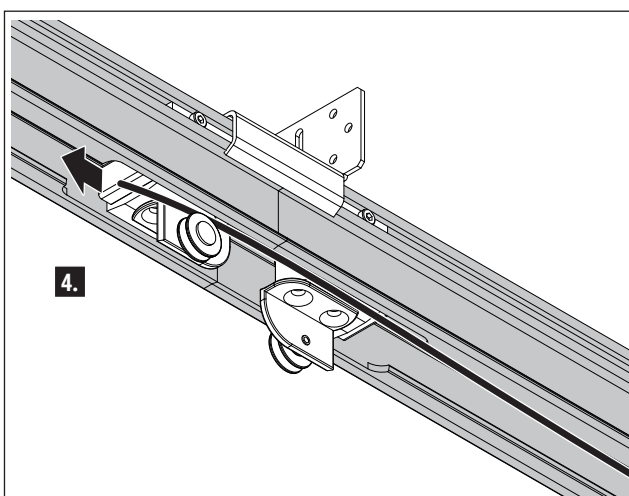
1.



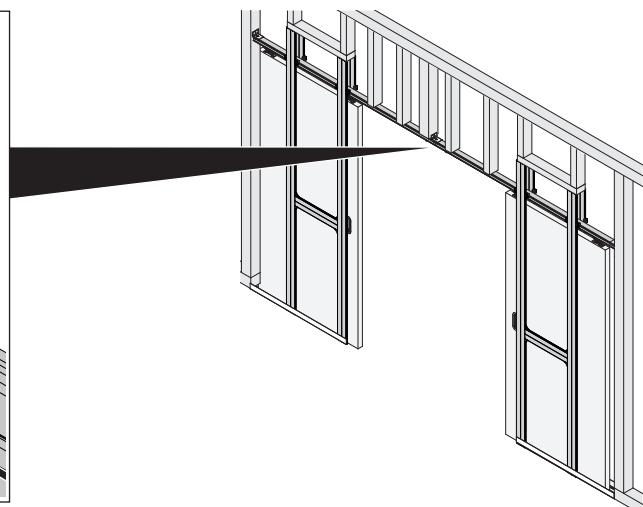
2.



3.

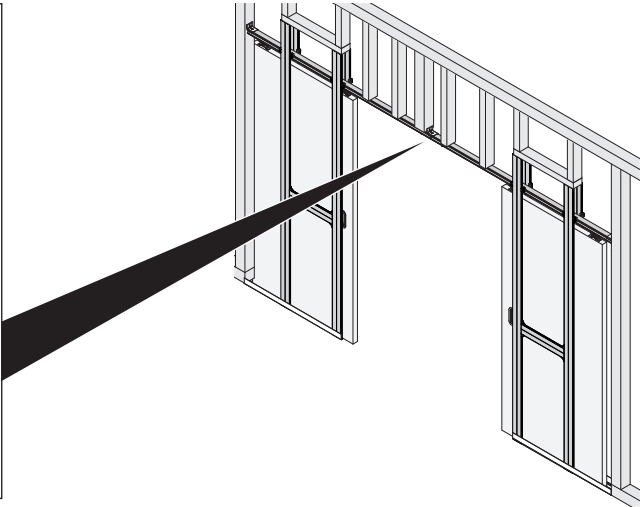
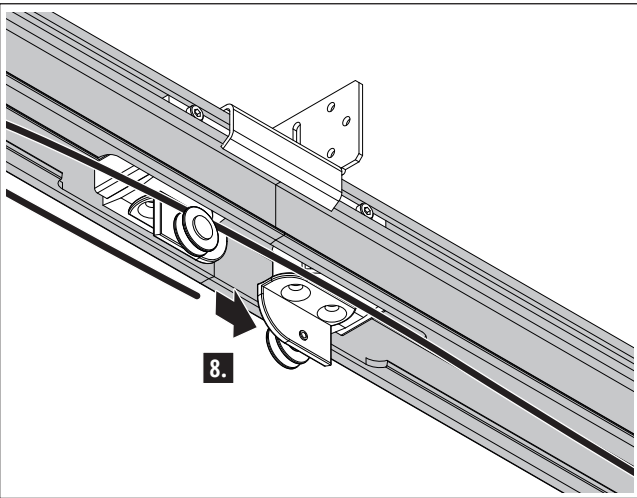
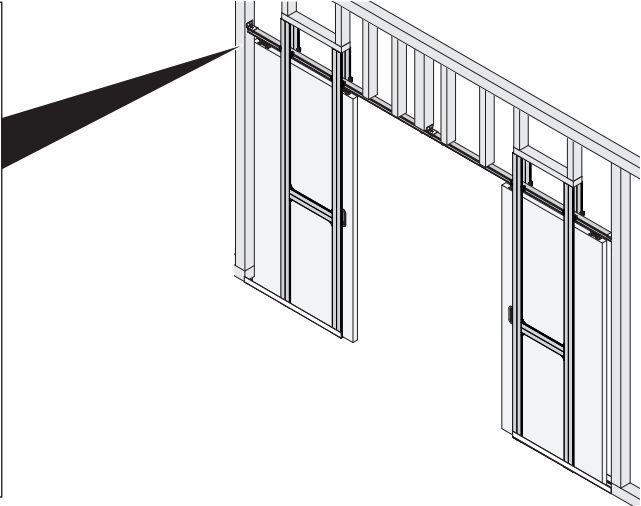
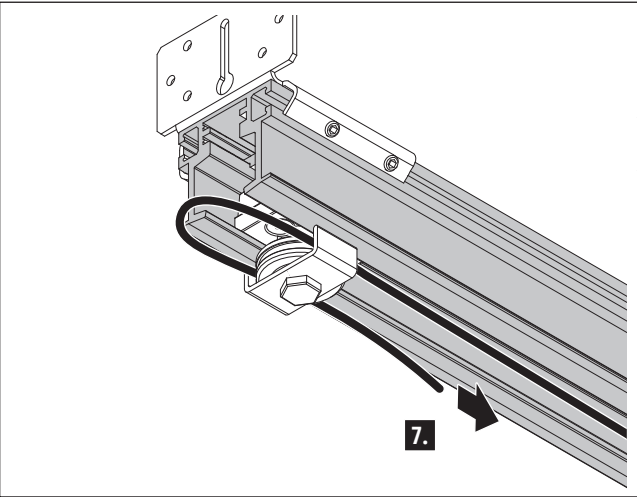
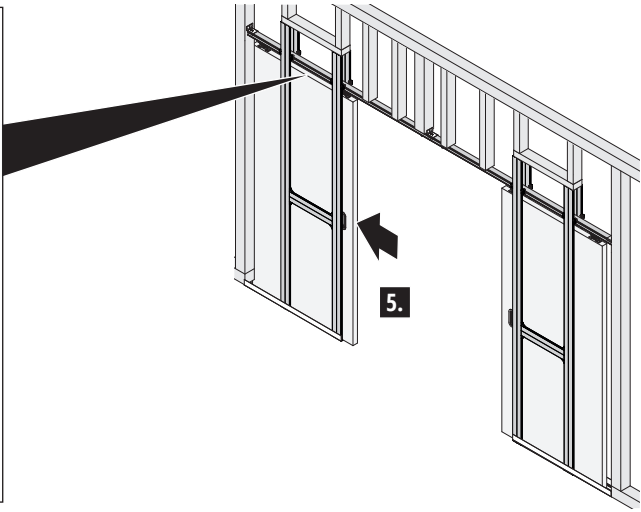
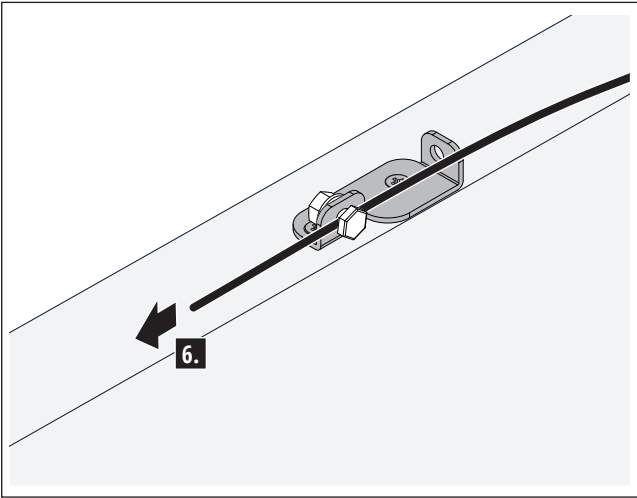


4.

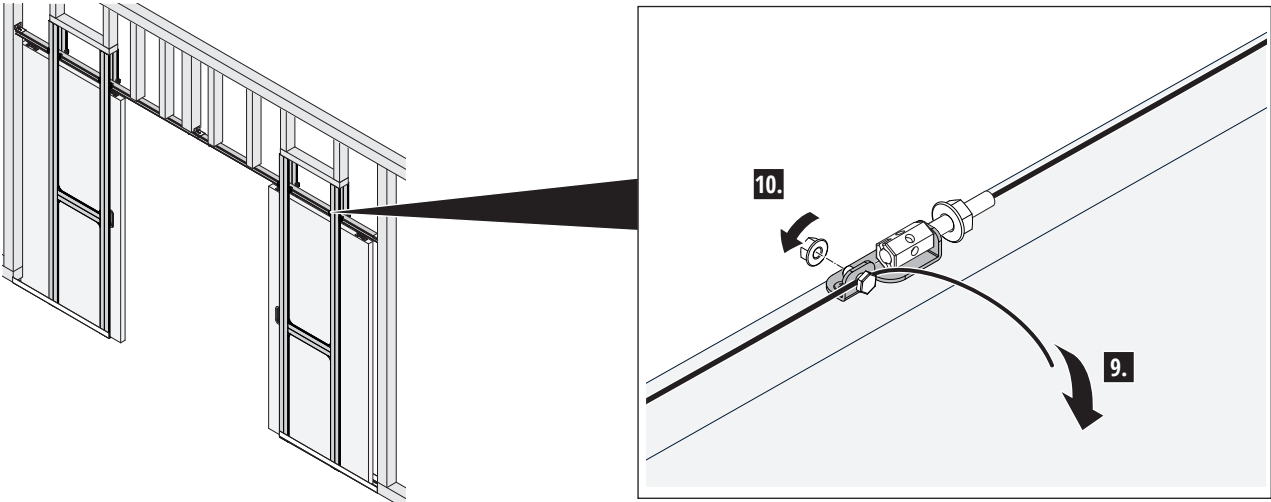


INSTALLATION

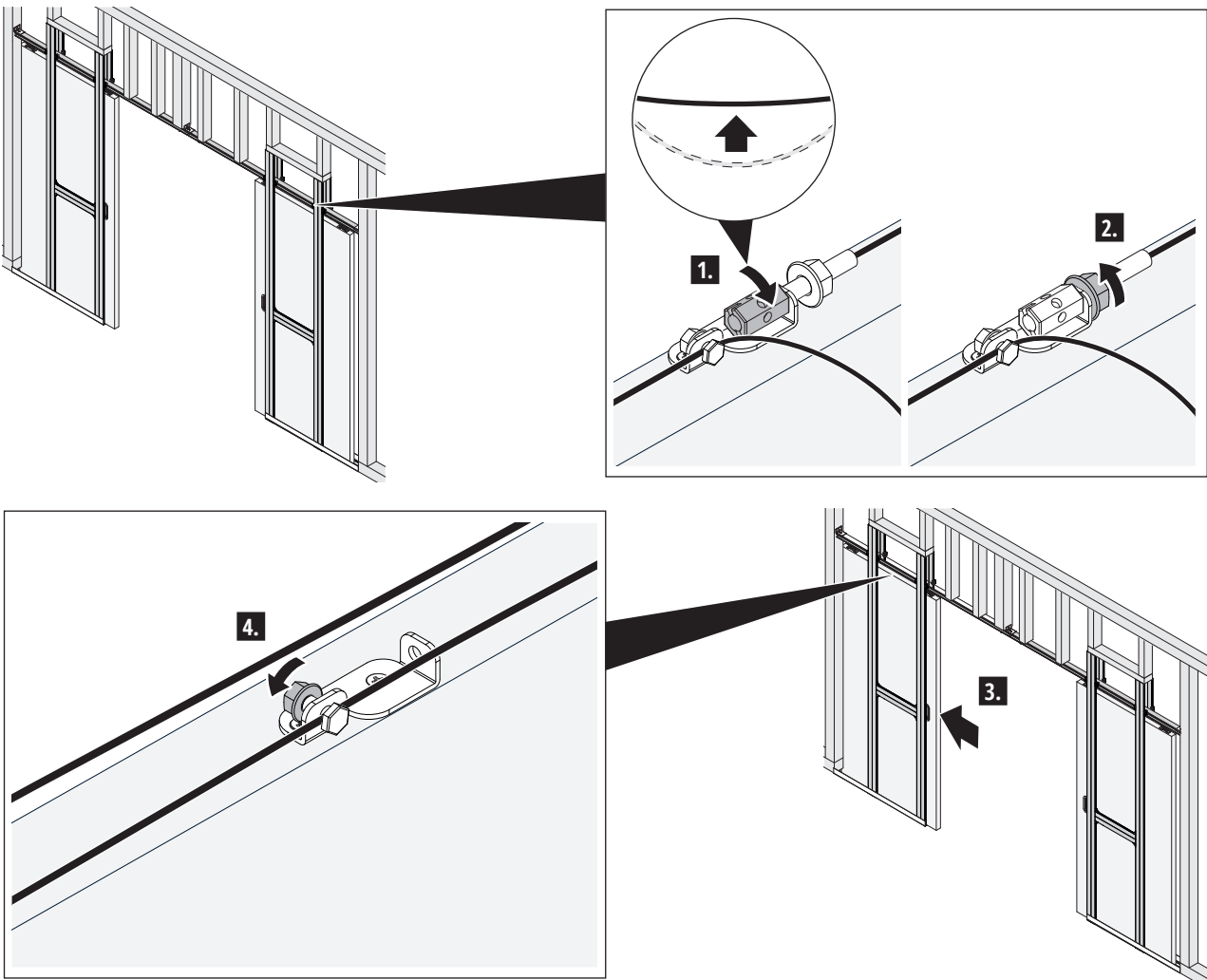
11.



11.



12.



INSTALLATION

13.

