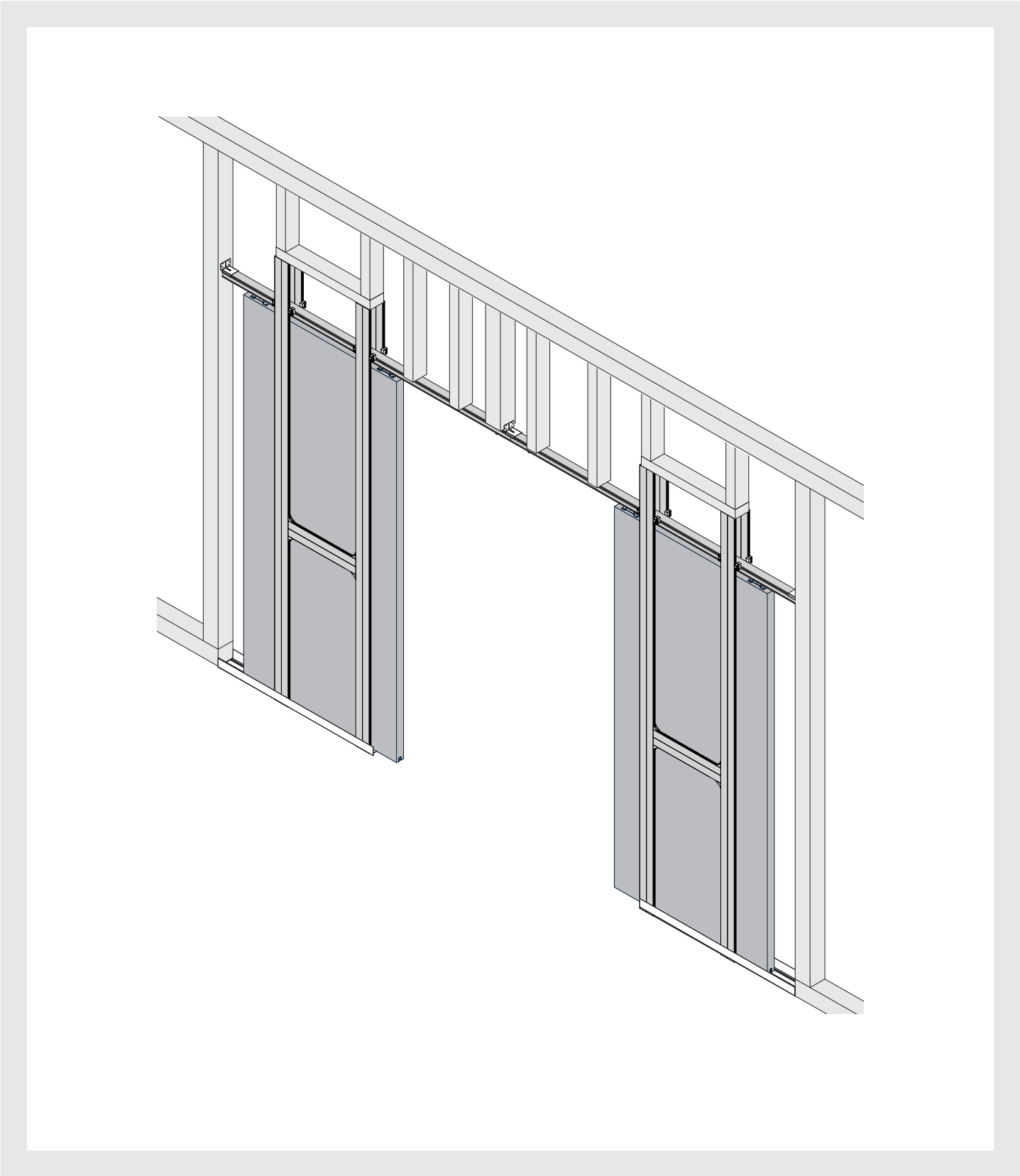


INSTALLATION INSTRUCTIONS

POCKET DOOR FRAMING AND HARDWARE KIT

BI-PARTING DOUBLE DOOR SETUP



CONTENT

Page index

Preparation P.3
Scope of delivery..... P.4
Dimensions P.6
Installation - Track and framing P.13
Installation - Wood floor guide..... P.21
Installation - Standard wood mounts..... P.22
Installation - Recessed wood mounts..... P.25
Installation - Frameless glass door P.28
Track-in-Track door stop adjustment P.32

Product description

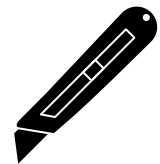
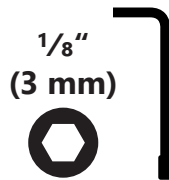
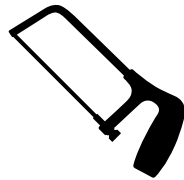
The pocket door and framing hardware kit is made for pocket sliding doors in 2x4 stud framing. A double door requires purchase of 2 kits. Depending on accessories and kit, it is suitable for wood or glass doors up to 176 lb (80 kg) or 265 lb (120 kg) with door dimensions up to 40" x 96" (1016 mm x 2438 mm) or 48" x 96" (1220 mm x 2438 mm). In case of uncertainty, please contact your supplier.

Safety notes

Before assembly, please read the installation instructions carefully. In case of difficulties in understanding, contact the customer service or your supplier. In order to assemble the purchased product properly, please use the tools indicated on the following page. Since some parts may have sharp edges, also be sure to protect your hands and work surfaces

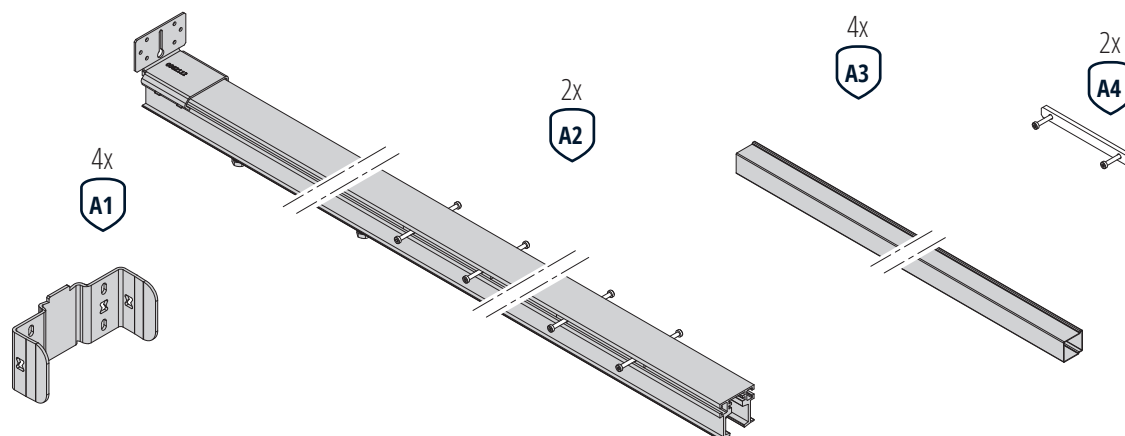
from cuts or scratches. During assembly, always ensure that you work ergonomically and only assemble alone if you can rule out any risk to your health or other persons. All components were checked for integrity before delivery. No liability is accepted for damage caused by improper assembly or transport.

Required tools

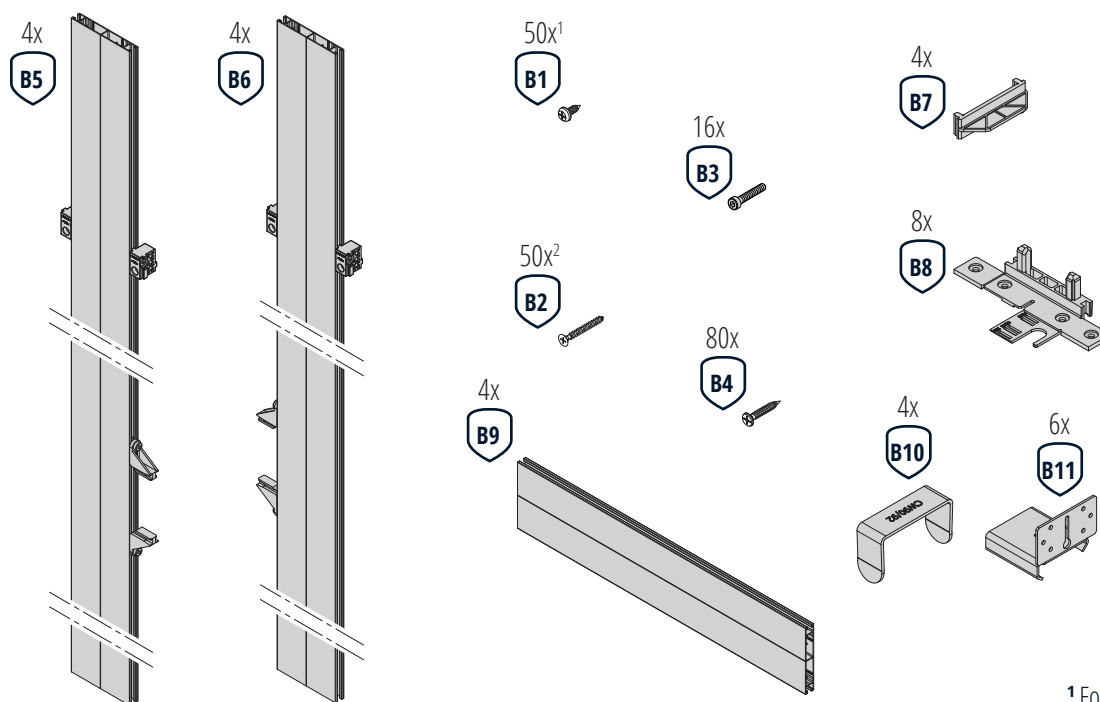


SCOPE OF DELIVERY

Track incl. wheels, track-in-track and hold-in-place stoppers



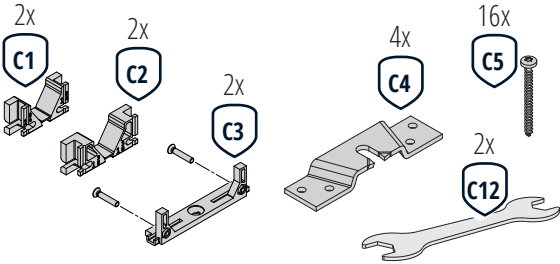
Framing kit



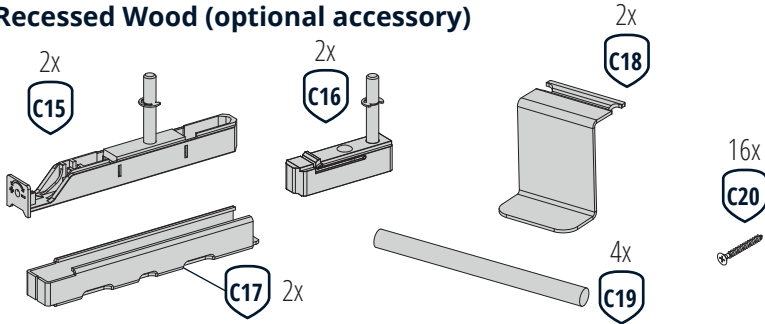
¹ For metal studs
² For 2x4 wood studs

Door hardware

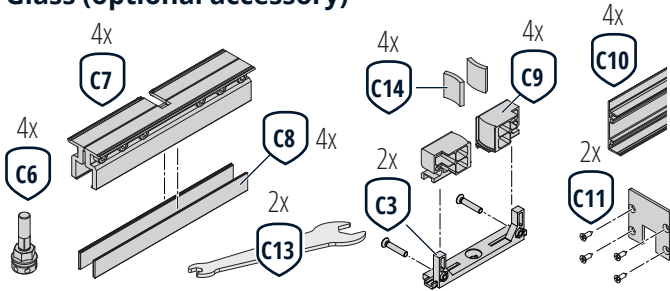
Standard Wood



Recessed Wood (optional accessory)



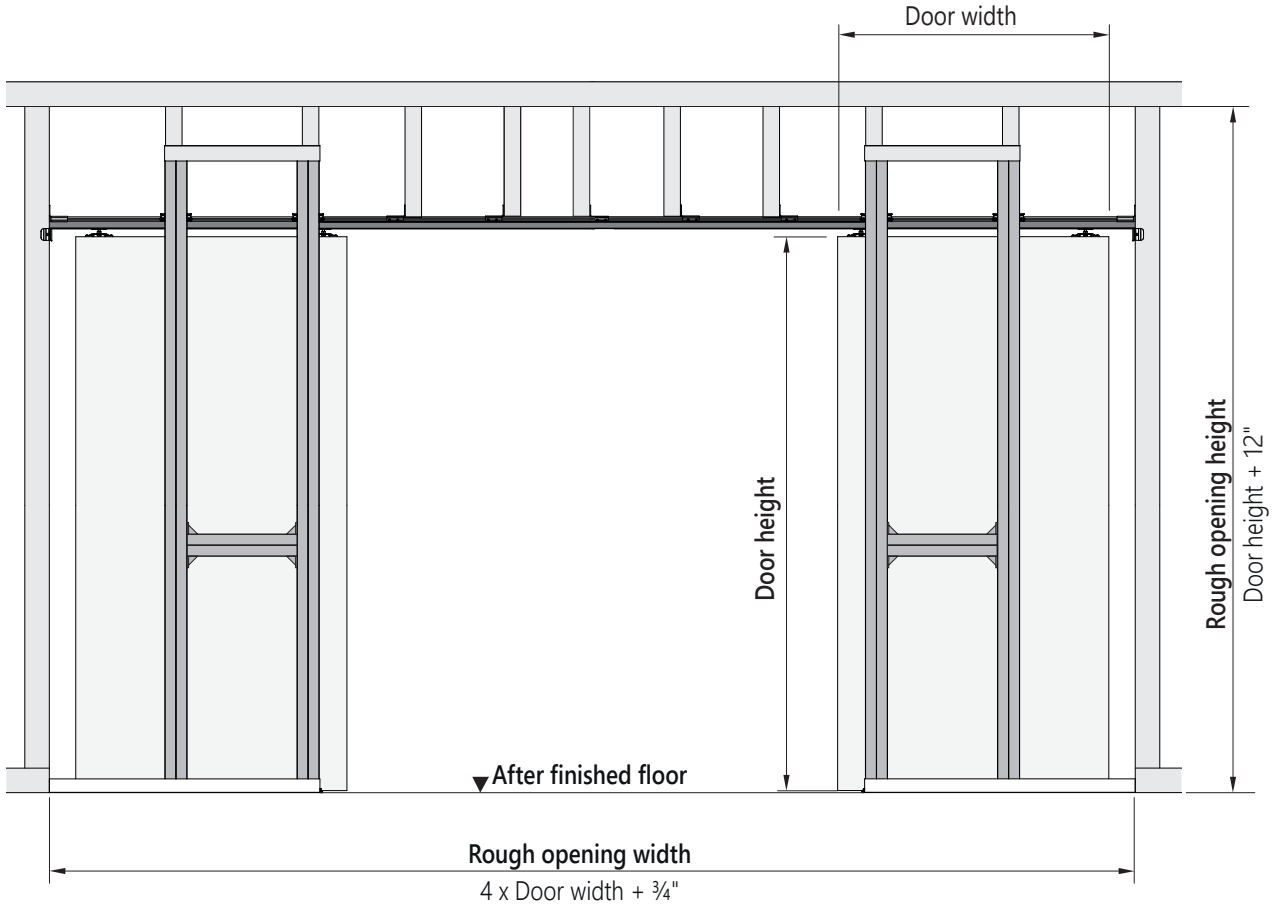
Glass (optional accessory)



DIMENSIONS

Rough opening guide

Bi-parting door

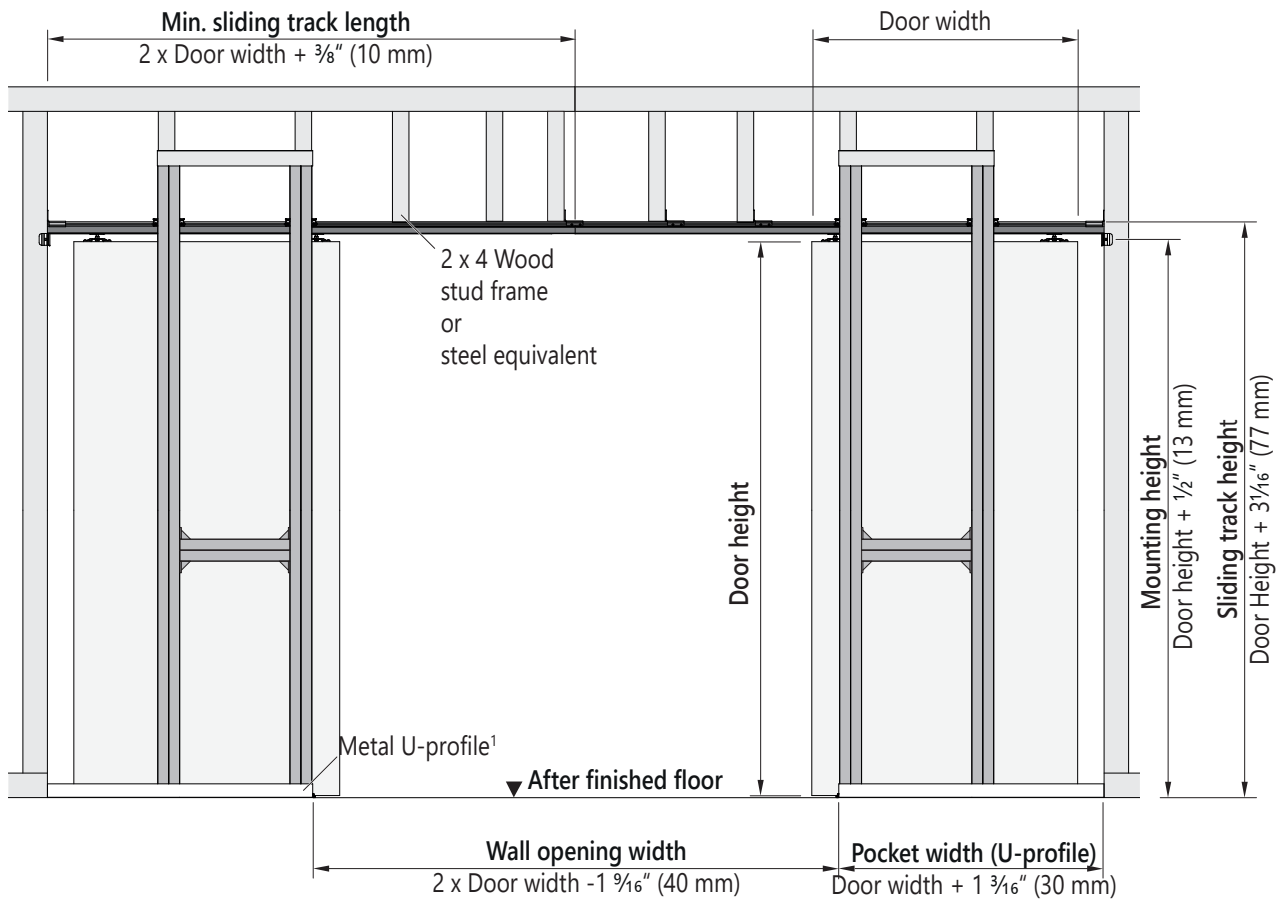


| Door width | Door height | | | | | | | |
|------------|-------------|-----------|----------|-----------|----------|-----------|----------|-----------|
| | 80" | | 82" | | 84" | | 96" | |
| | RO width | RO height | RO width | RO height | RO width | RO height | RO width | RO height |
| 24" | 96 3/4" | 92"* | 96 3/4" | 94"* | 96 3/4" | 96"* | 96 3/4" | 108" |
| 26" | 104 3/4" | 92"* | 104 3/4" | 94"* | 104 3/4" | 96"* | 104 3/4" | 108" |
| 28" | 112 3/4" | 92"* | 112 3/4" | 94"* | 112 3/4" | 96"* | 112 3/4" | 108" |
| 30" | 120 3/4" | 92"* | 120 3/4" | 94"* | 120 3/4" | 96"* | 120 3/4" | 108" |
| 32" | 128 3/4" | 92"* | 128 3/4" | 94"* | 128 3/4" | 96"* | 128 3/4" | 108" |
| 34" | 136 3/4" | 92"* | 136 3/4" | 94"* | 136 3/4" | 96"* | 136 3/4" | 108" |
| 36" | 144 3/4" | 92"* | 144 3/4" | 94"* | 144 3/4" | 96"* | 144 3/4" | 108" |
| 38" | 152 3/4" | 92"* | 152 3/4" | 94"* | 152 3/4" | 96"* | 152 3/4" | 108" |
| 40" | 160 3/4" | 92"* | 160 3/4" | 94"* | 160 3/4" | 96"* | 160 3/4" | 108" |
| 42" | 168 3/4" | 92"* | 168 3/4" | 94"* | 168 3/4" | 96"* | 168 3/4" | 108" |
| 44" | 176 3/4" | 92"* | 176 3/4" | 94"* | 176 3/4" | 96"* | 176 3/4" | 108" |
| 46" | 184 3/4" | 92"* | 184 3/4" | 94"* | 184 3/4" | 96"* | 184 3/4" | 108" |
| 48" | 192 3/4" | 92"* | 192 3/4" | 94"* | 192 3/4" | 96"* | 192 3/4" | 108" |

* Minimum required rough opening height. If you have enough headroom, you can install the pocket hardware without cutting the vertical pocket profiles. This requires a rough opening height of 108" or more.

Front view - Standard wood mounts

Standard wood mounts with jamb kit or casing

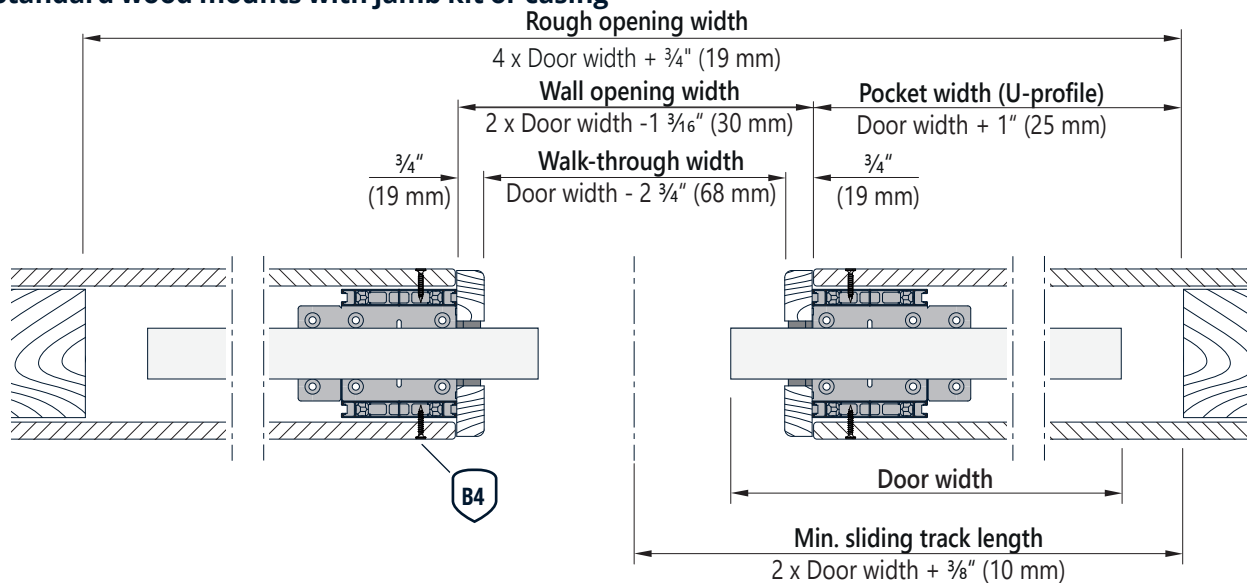


Note:

When using frameless profiles, consult the corresponding instructions provided separately!

Top view - Standard wood mounts

Standard wood mounts with jamb kit or casing

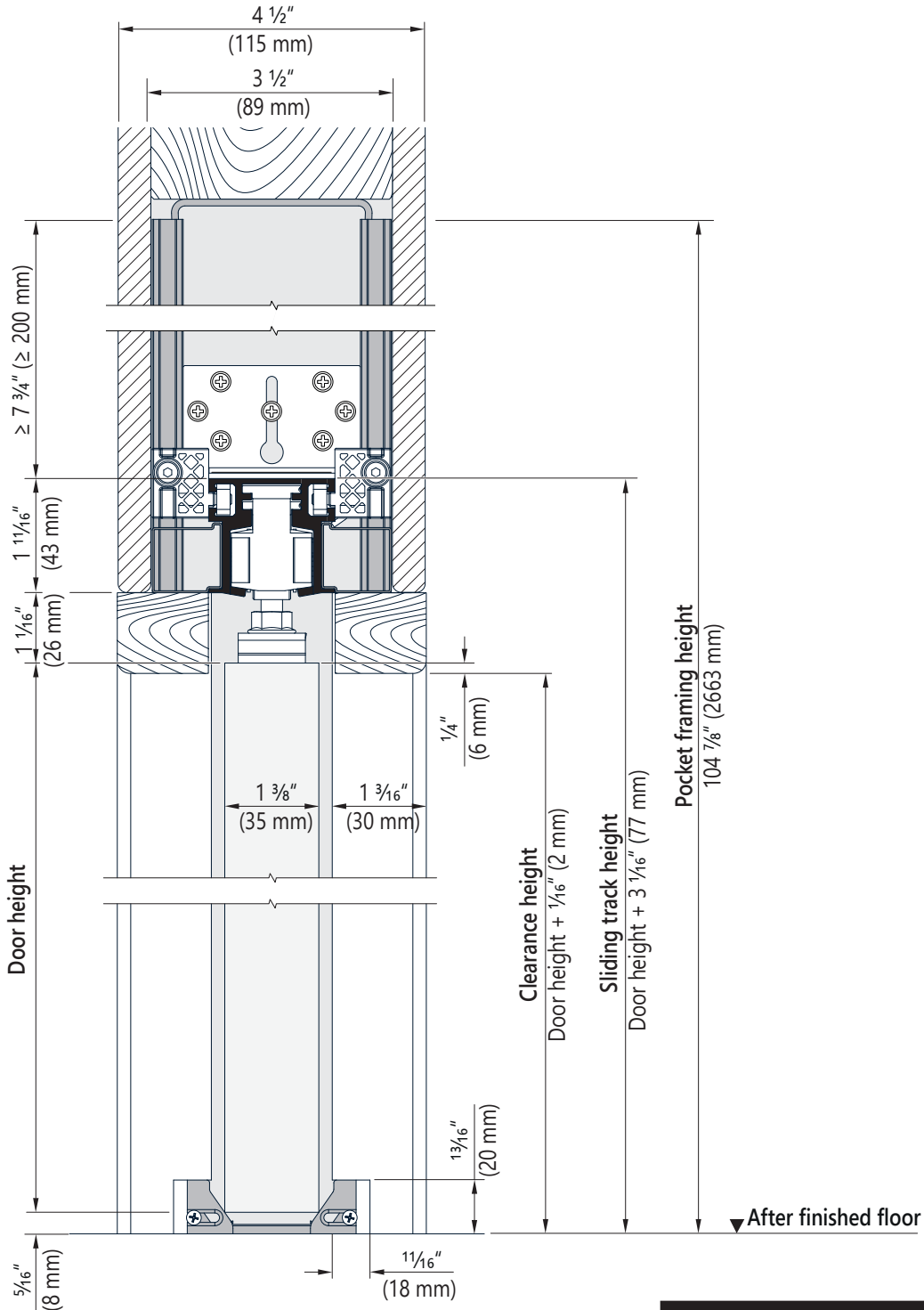


¹ U-profile is not included. Use U-shaped metal stud with correct dimensions. The profile is recommended but not needed.

DIMENSIONS

Side view - Standard wood mounts

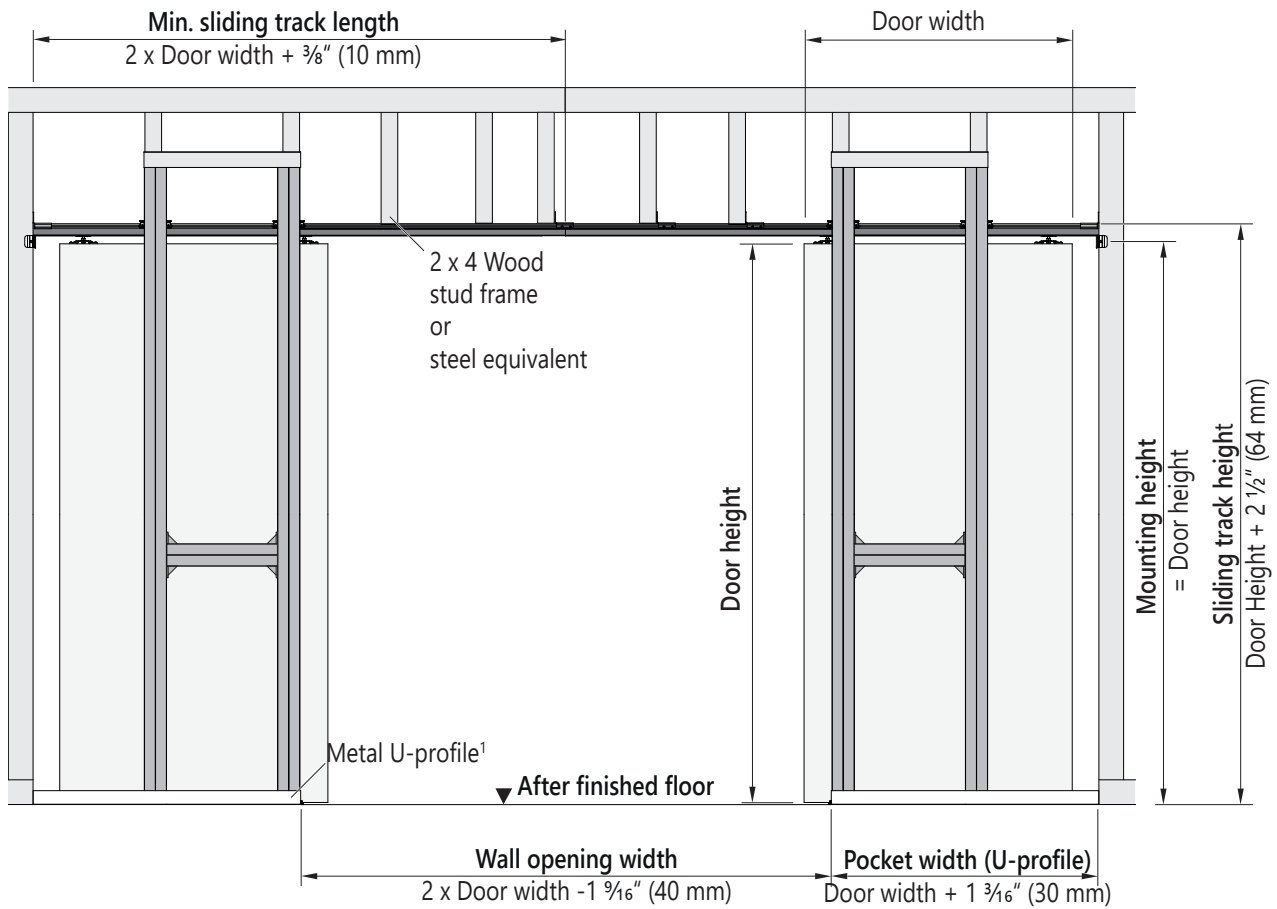
Standard wood mounts with jamb kit or casing



Note:
 When using frameless profiles, consult the corresponding instructions provided separately!

Front view - Recessed wood mounts

Recessed wood mounts with jamb kit or casing

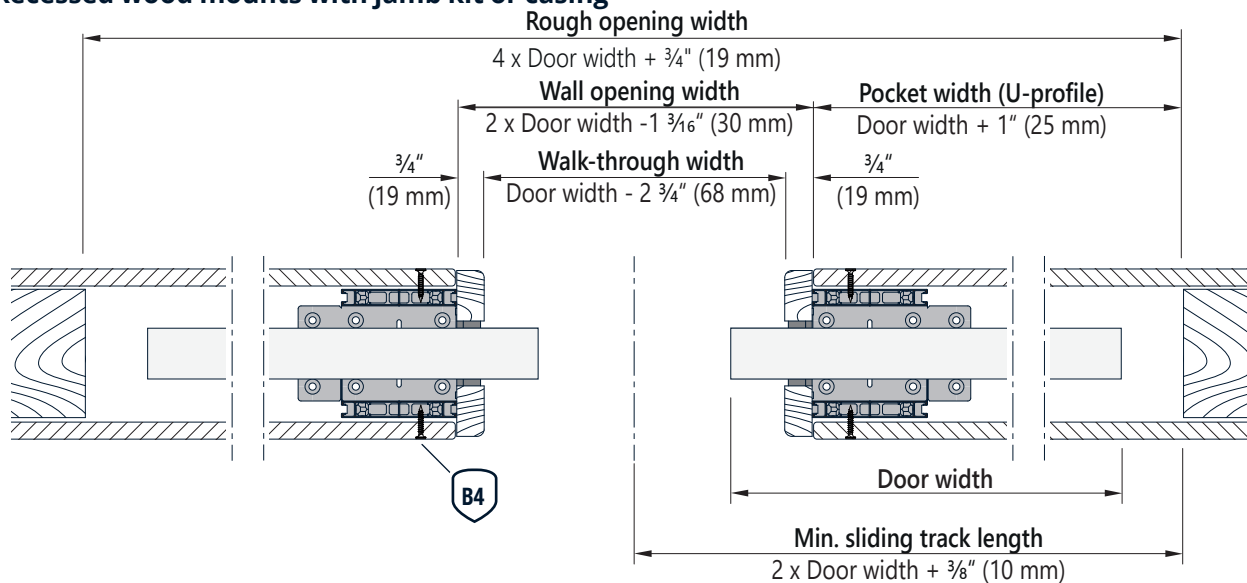


Note:

When using frameless profiles, consult the corresponding instructions provided separately!

Top view - Recessed wood mounts

Recessed wood mounts with jamb kit or casing

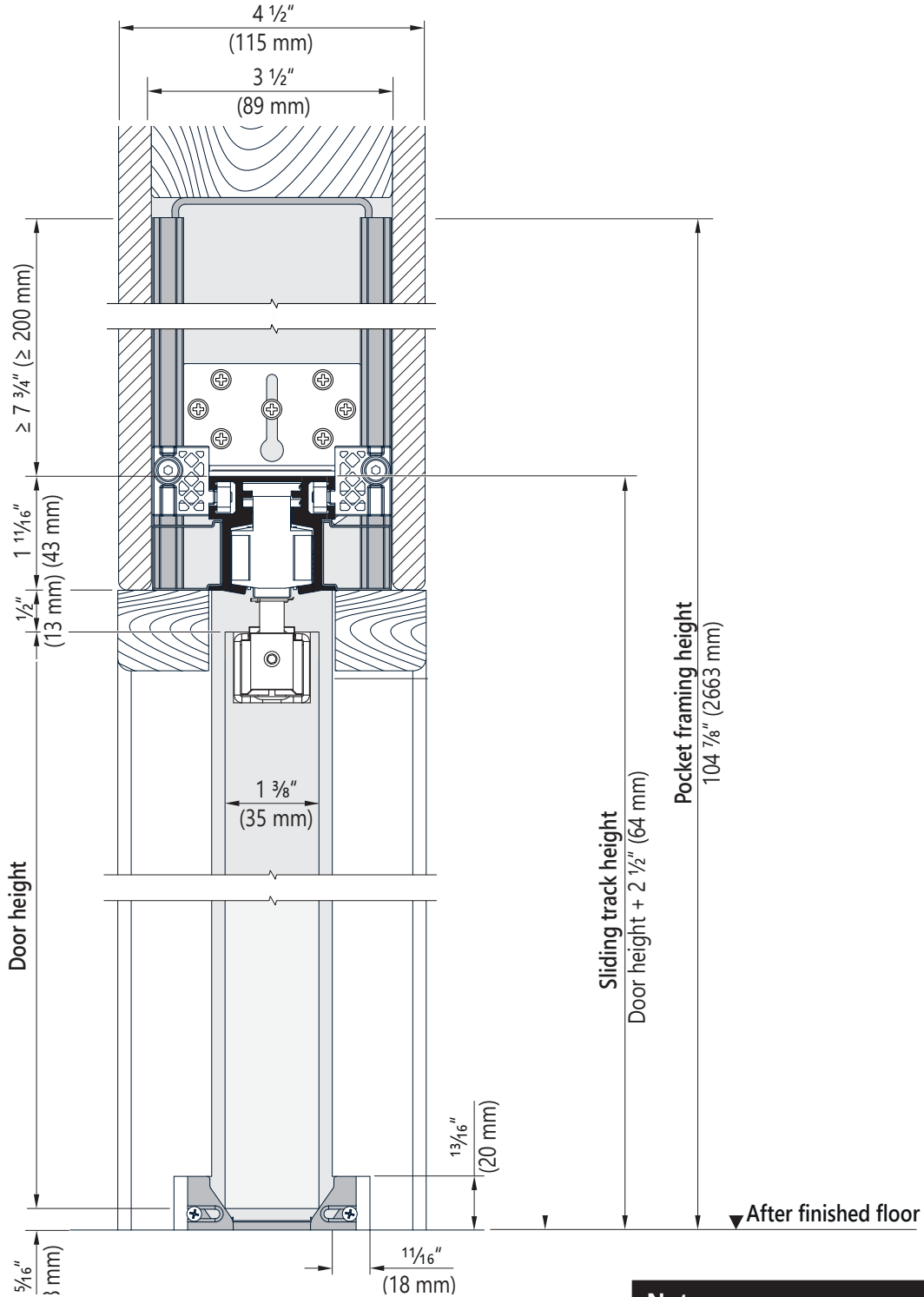


¹ U-profile is not included. Use U-shaped metal stud with correct dimensions. The profile is recommended but not needed.

DIMENSIONS

Side view - Recessed wood mounts

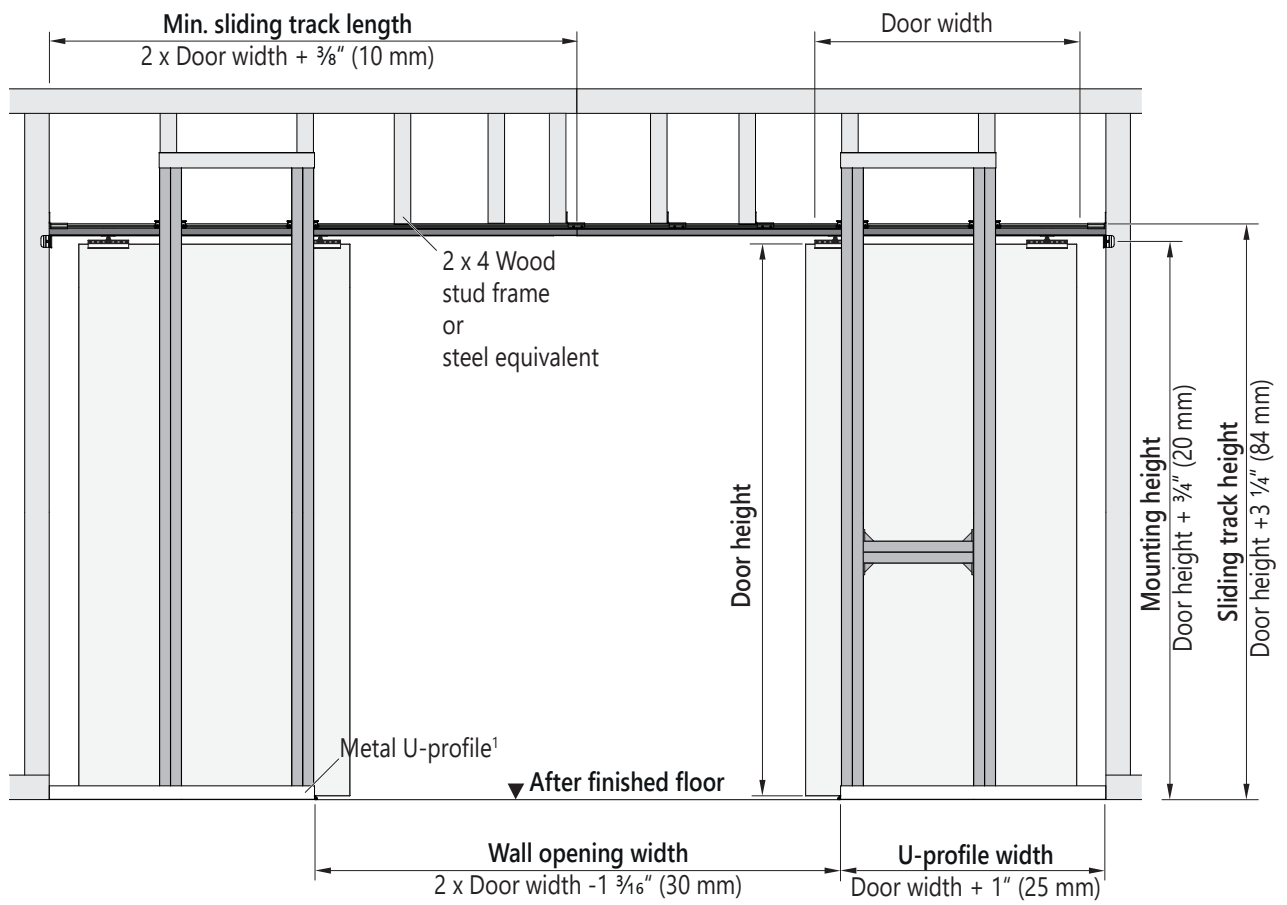
Recessed wood mounts with jamb kit or casing



Note:

When using frameless profiles, consult the corresponding instructions provided separately!

Front view - Glass clamps

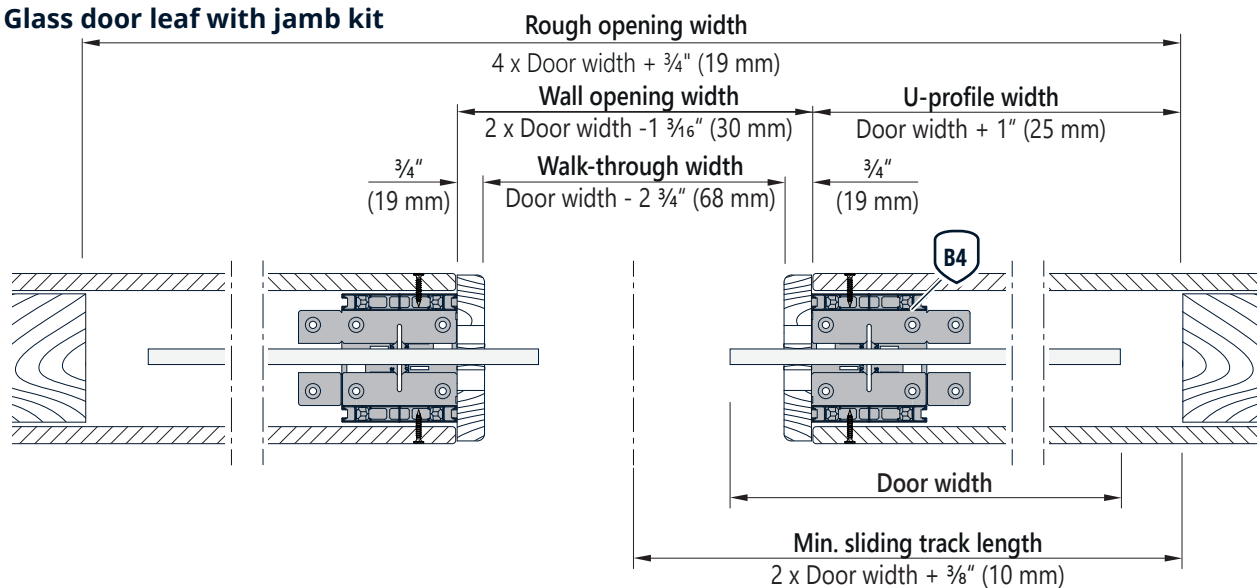


Note:

When using frameless profiles, consult the corresponding instructions provided separately!

Top view - Glass clamps

Glass door leaf with jamb kit

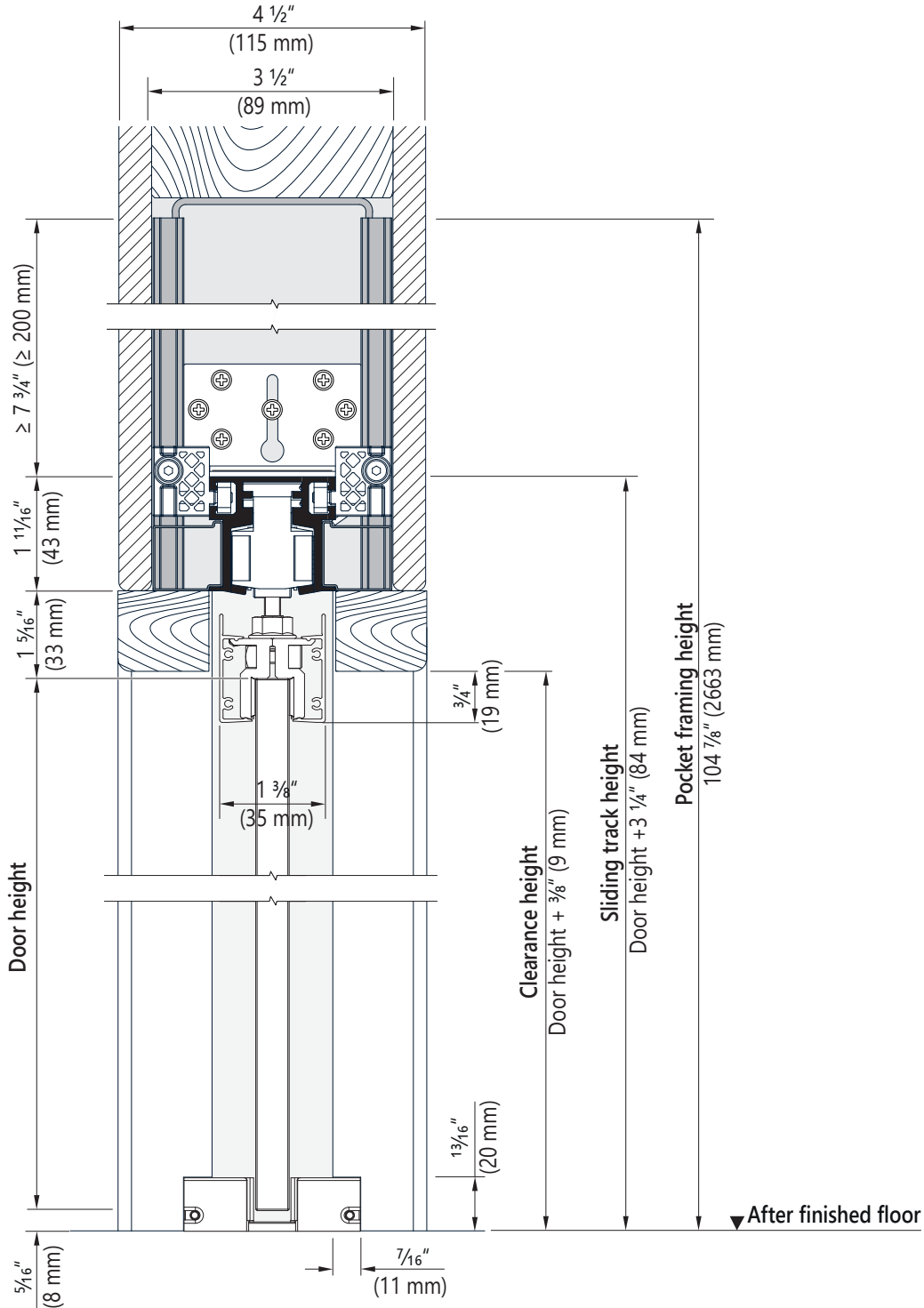


¹ U-profile is not included. Use U-shaped metal stud with correct dimensions. The profile is recommended but not needed.

DIMENSIONS

Side view - Glass Clamps

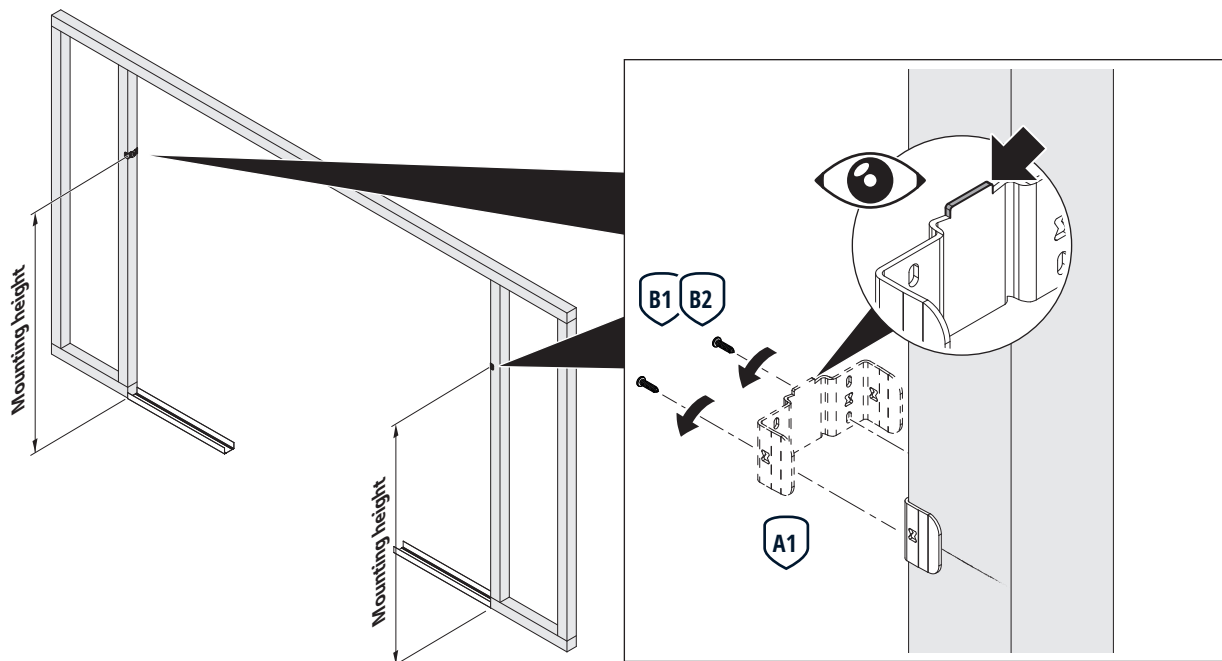
Glass door with jamb kit or casing



Note:
When using frameless profiles, consult the corresponding instructions provided separately!

INSTALLATION - TRACK AND FRAMING

1.



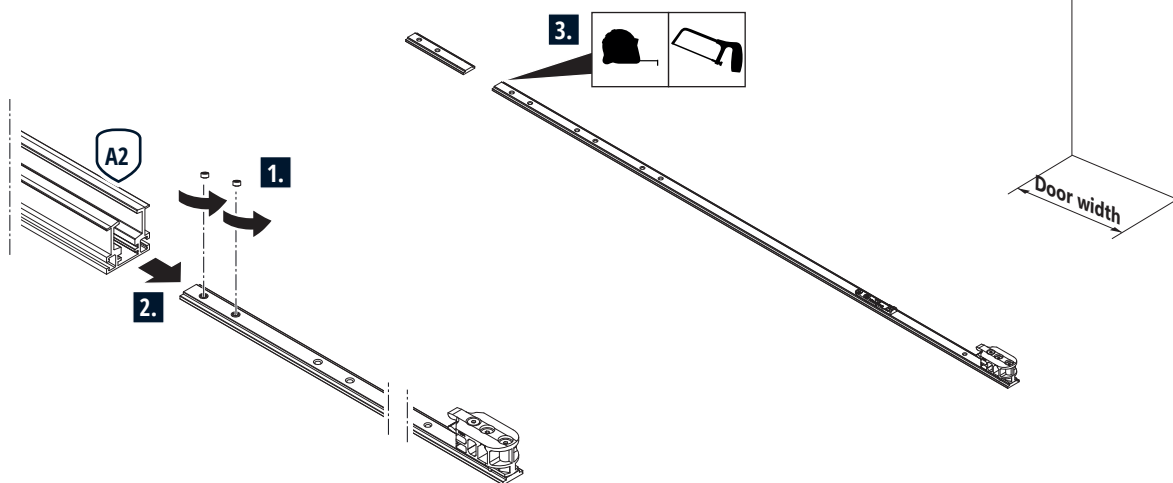
Note:

For mounting height, see pages 7 (standard wood mounts), 9 (recessed wood mounts) and 11 (glass clamps).

2.

Note:

Cut track-in-track according to the markings for different door sizes.

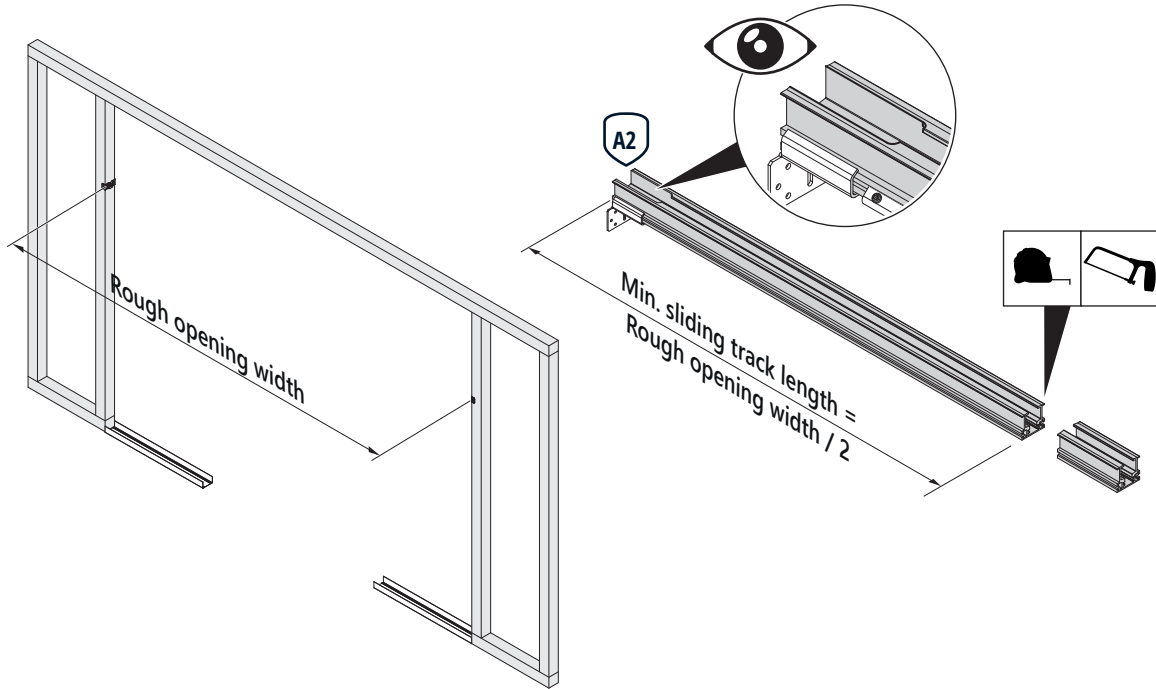


INSTALLATION - TRACK AND FRAMING

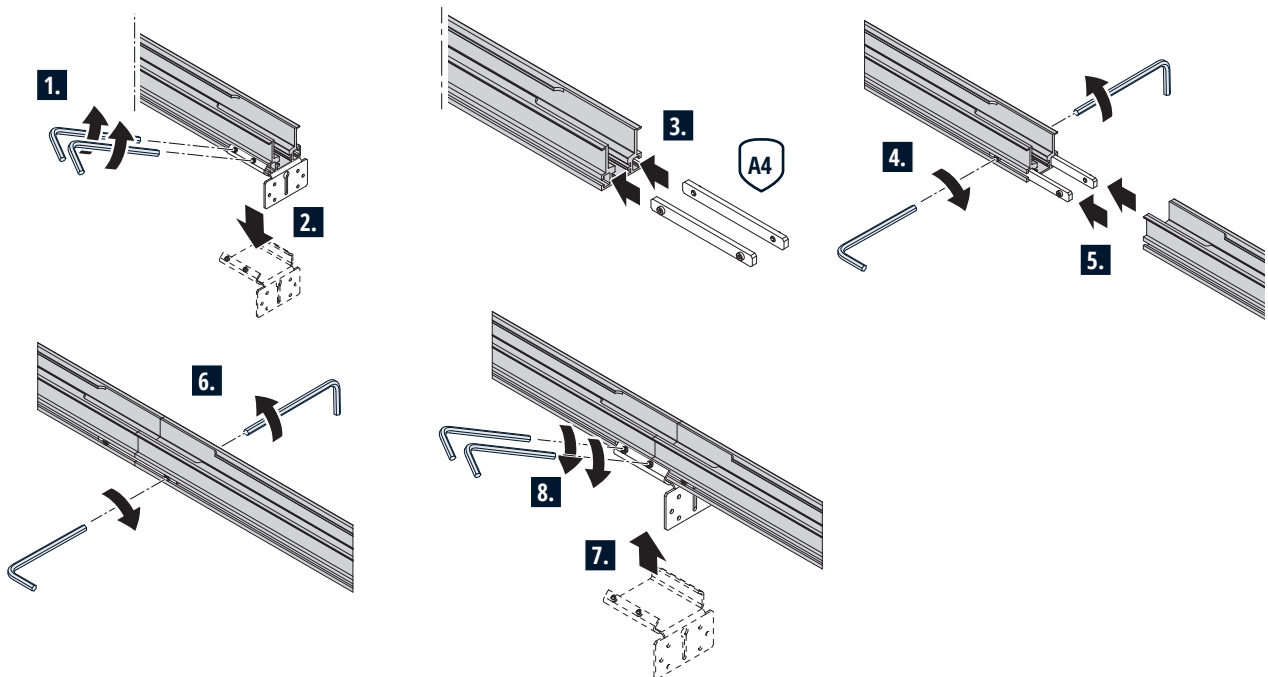
3.

Note:

Should you plan to use Soft-Close, Push-To-Open, heavy duty wheels or Sync, install them before attaching the track. Follow the steps of the separate installation instructions and then come back to this page.

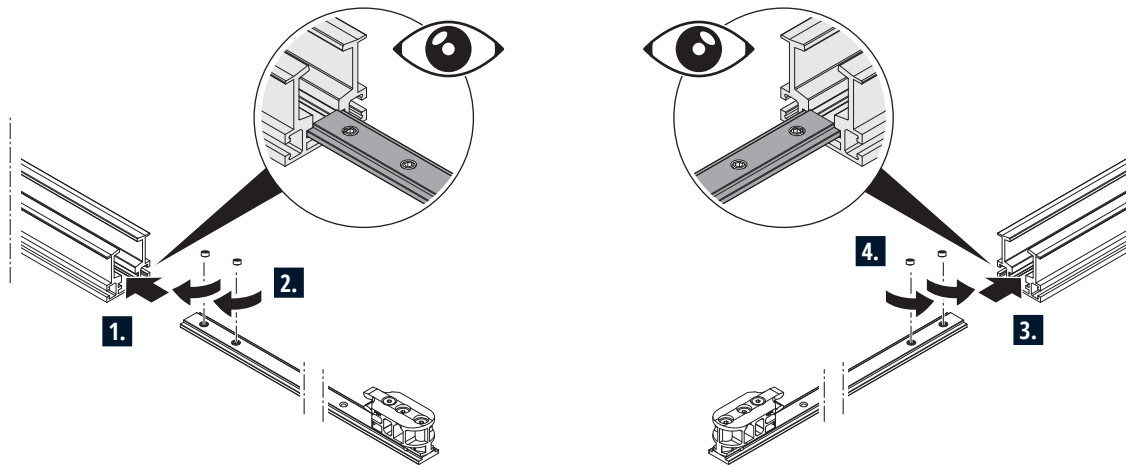


4.

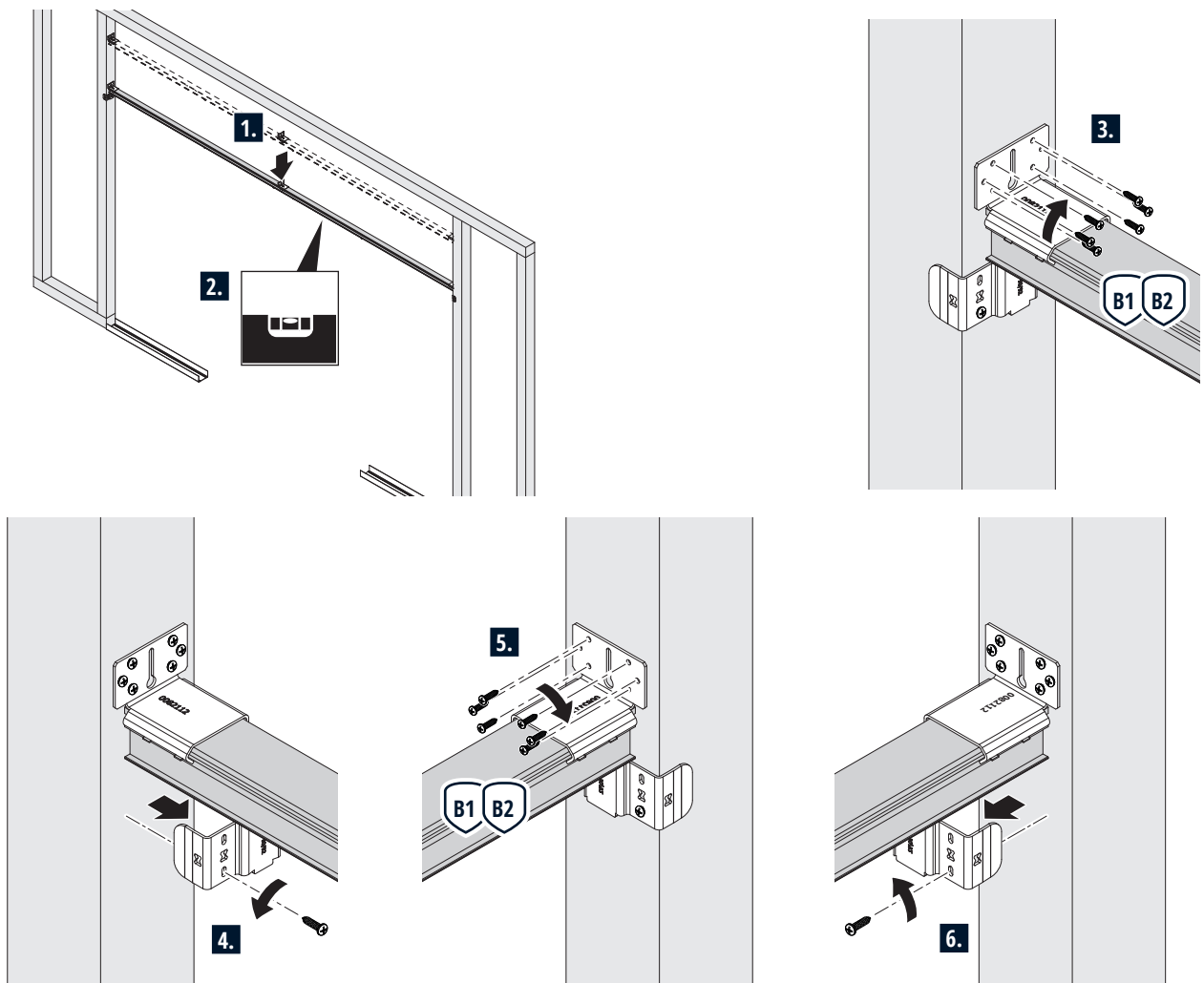


INSTALLATION - TRACK AND FRAMING

5.

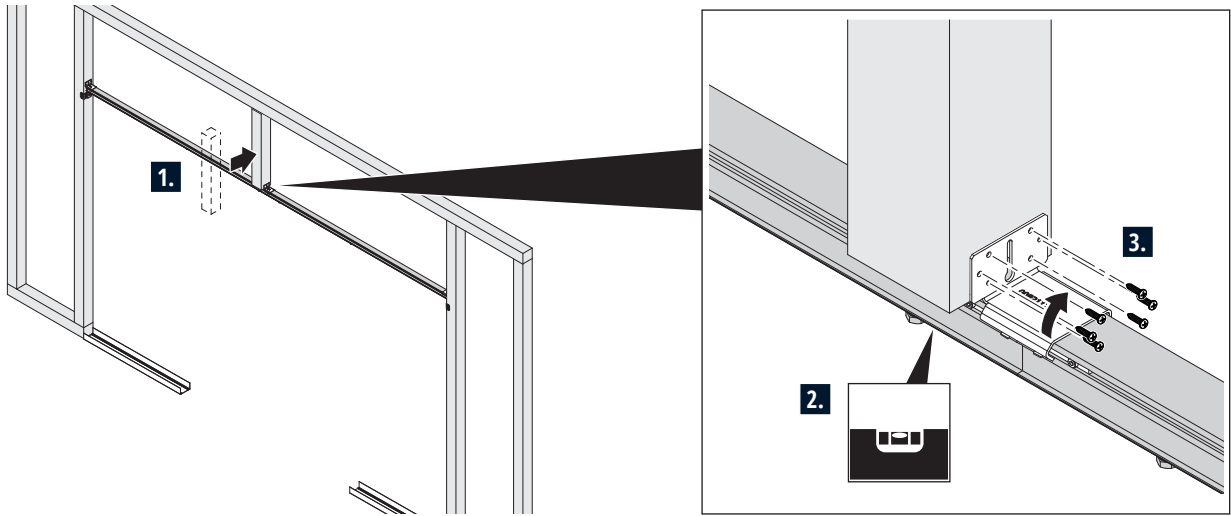


6.

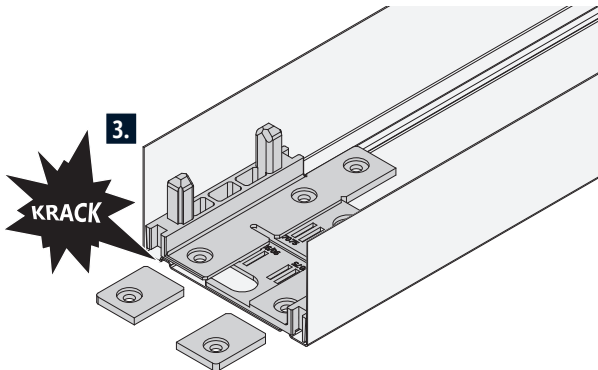
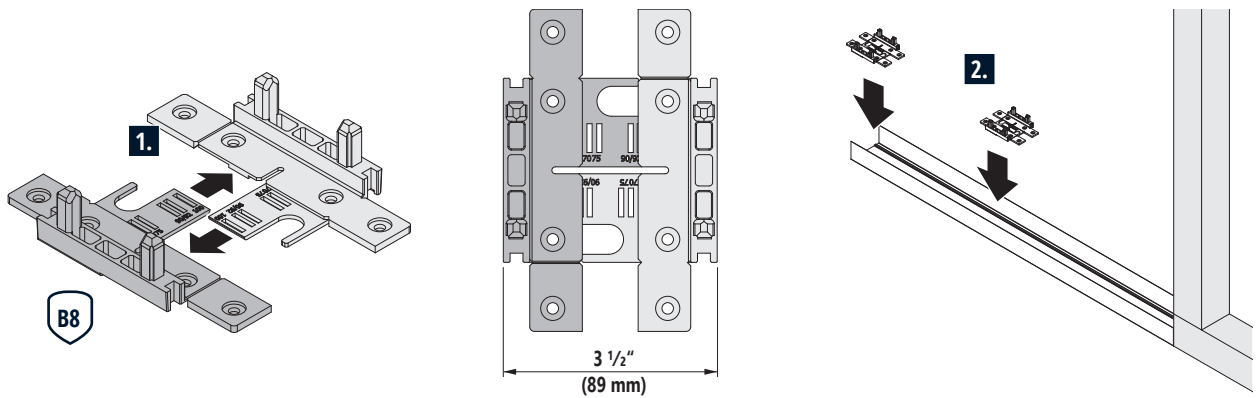


INSTALLATION - TRACK AND FRAMING

7.



8.

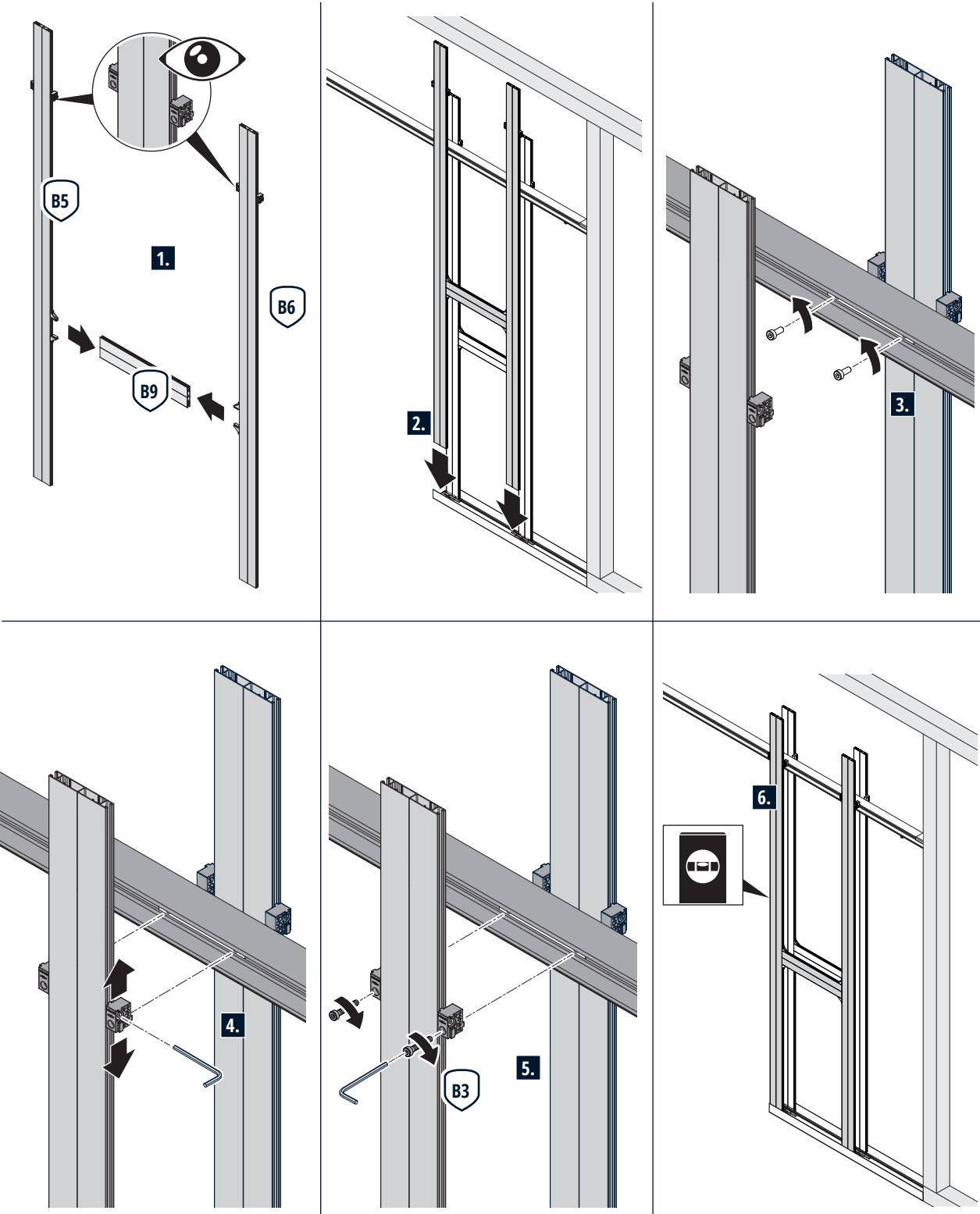


Note:

The fastening material must be adapted to the local conditions. The feet may be either screwed or glued. The use of a metal U-profile is recommended but not needed.

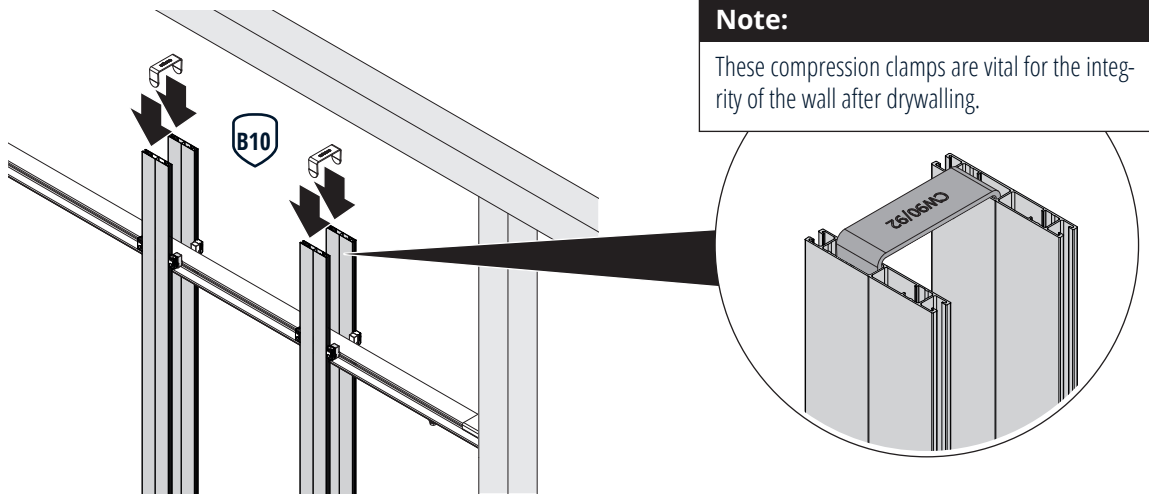
INSTALLATION - TRACK AND FRAMING

9.

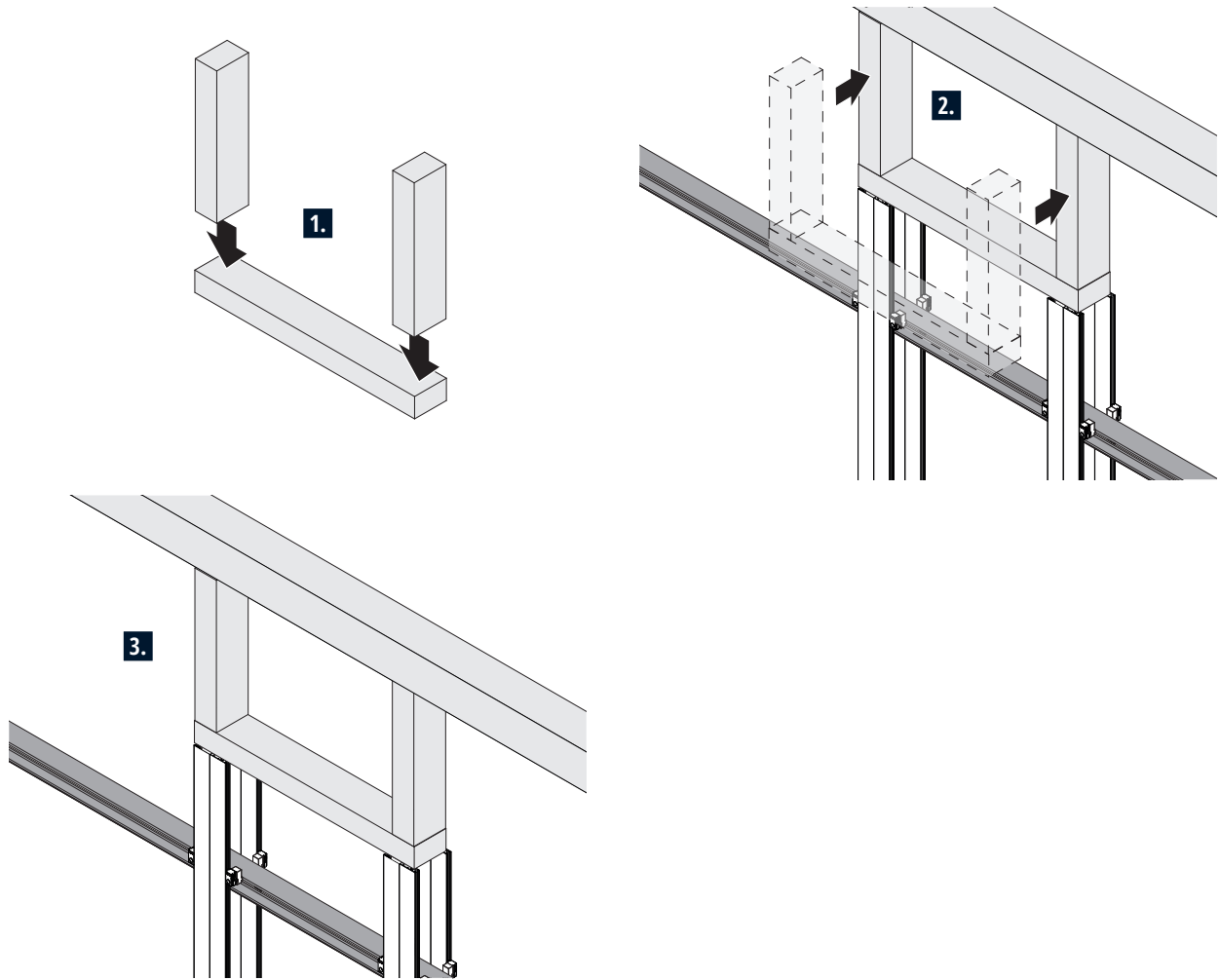


INSTALLATION - TRACK AND FRAMING

10.

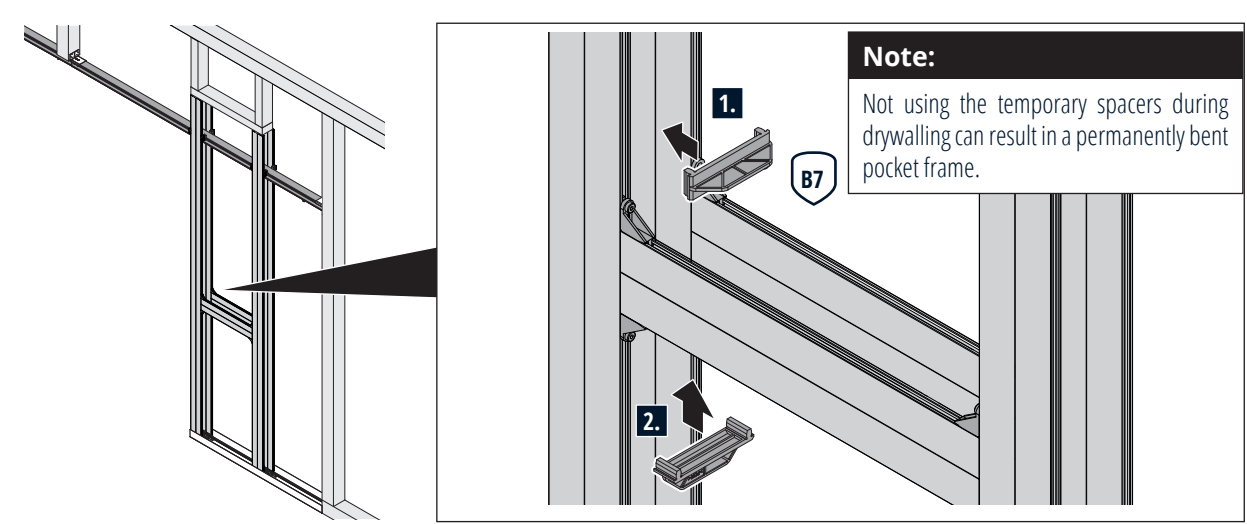


11.

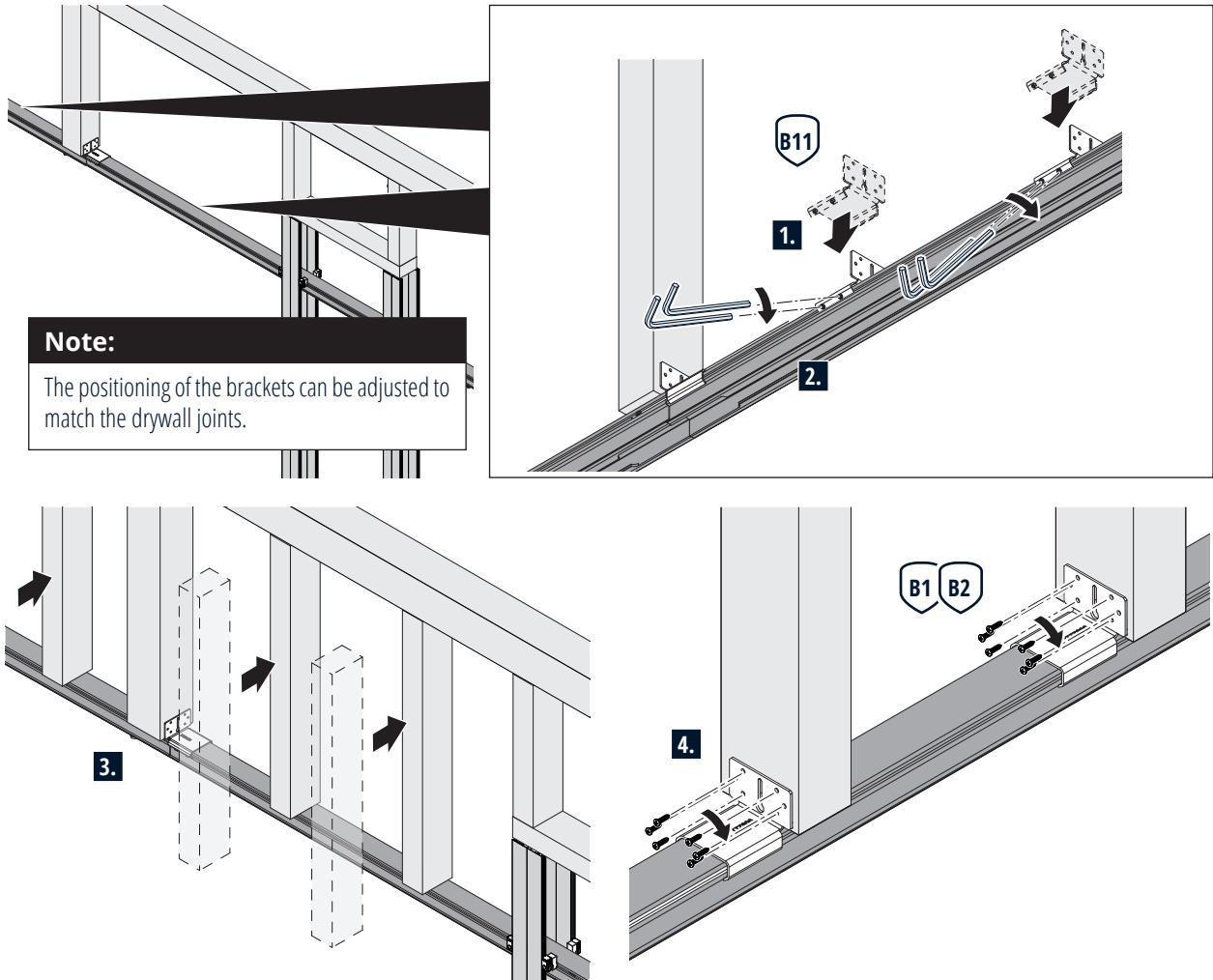


INSTALLATION - TRACK AND FRAMING

12.



13.

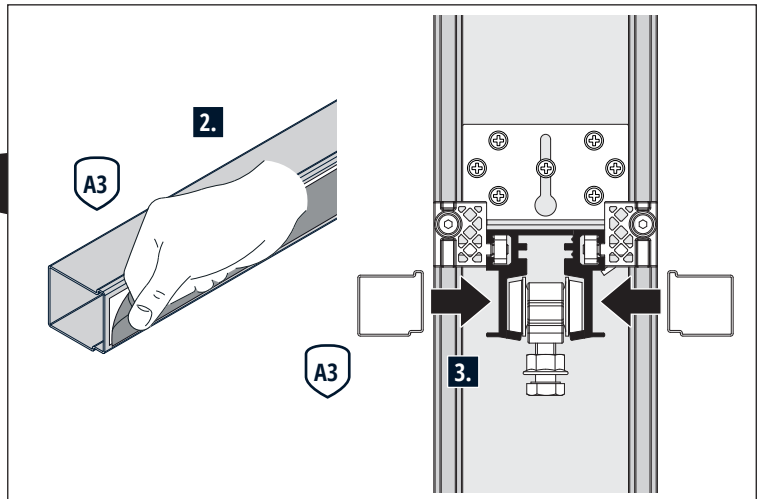
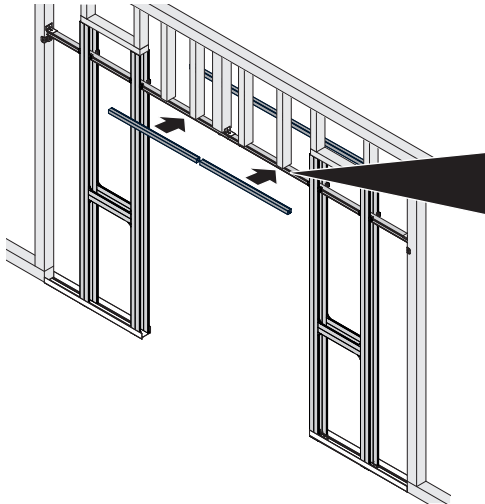
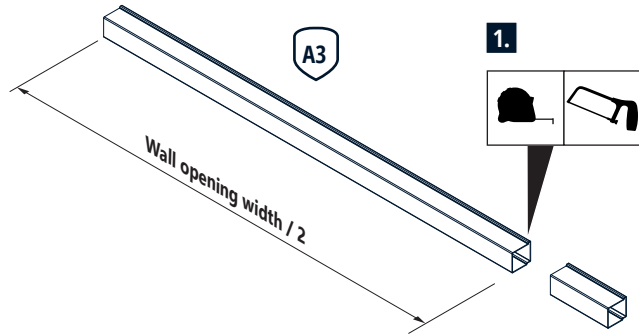
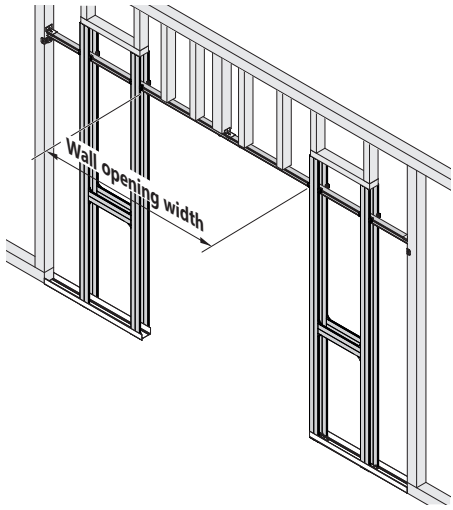


INSTALLATION - TRACK AND FRAMING

14.

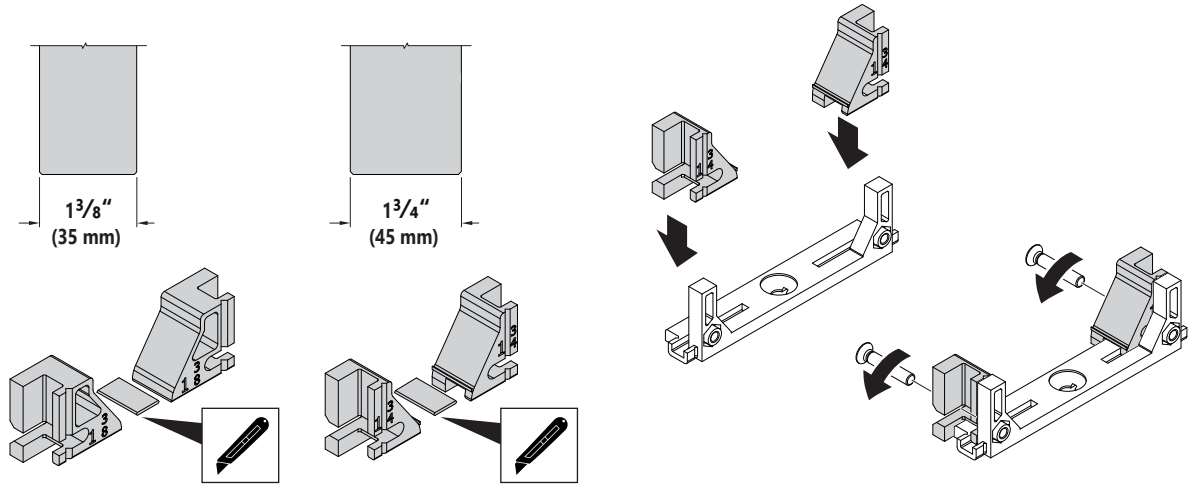
Note:

This step is needed if you are installing a jamb kit, casing or if you will be finishing the opening yourself. When using frameless profiles, follow the steps of the separate installation instructions!

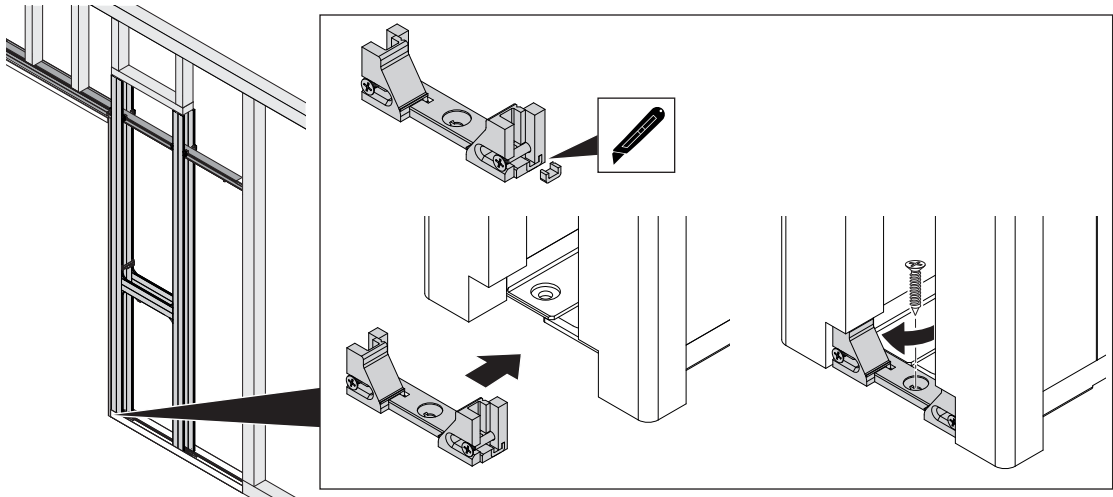


FLOOR GUIDE INSTALLATION - WOOD DOOR

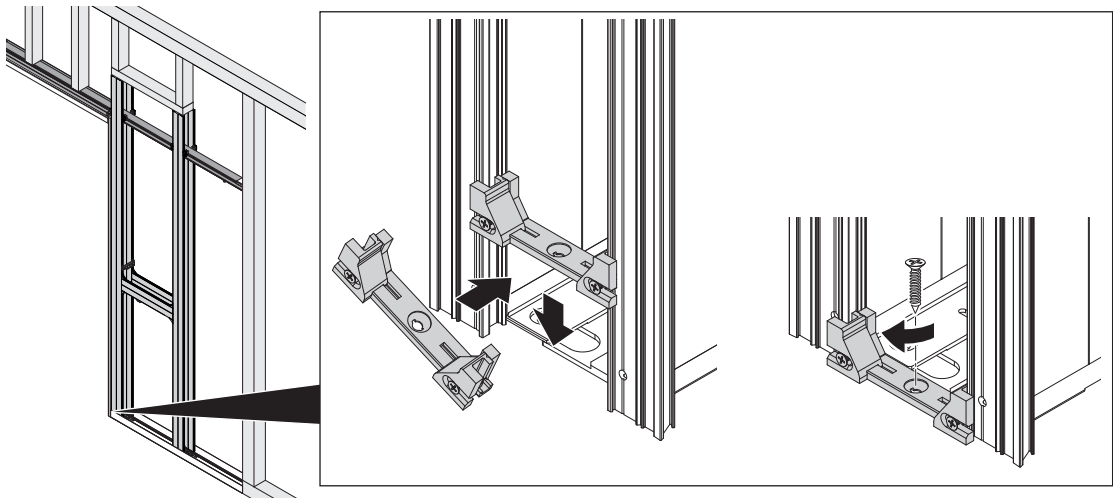
Wood 15.



With jamb kit or casing

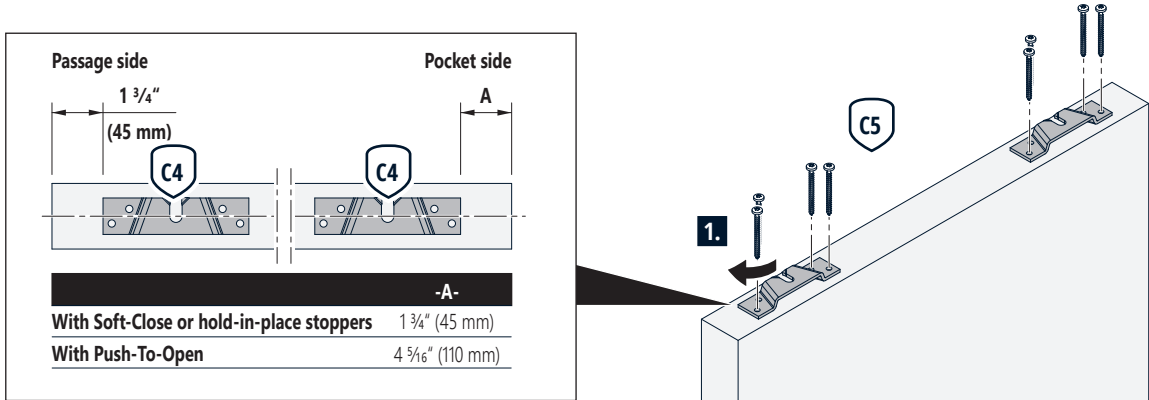


With frameless profiles

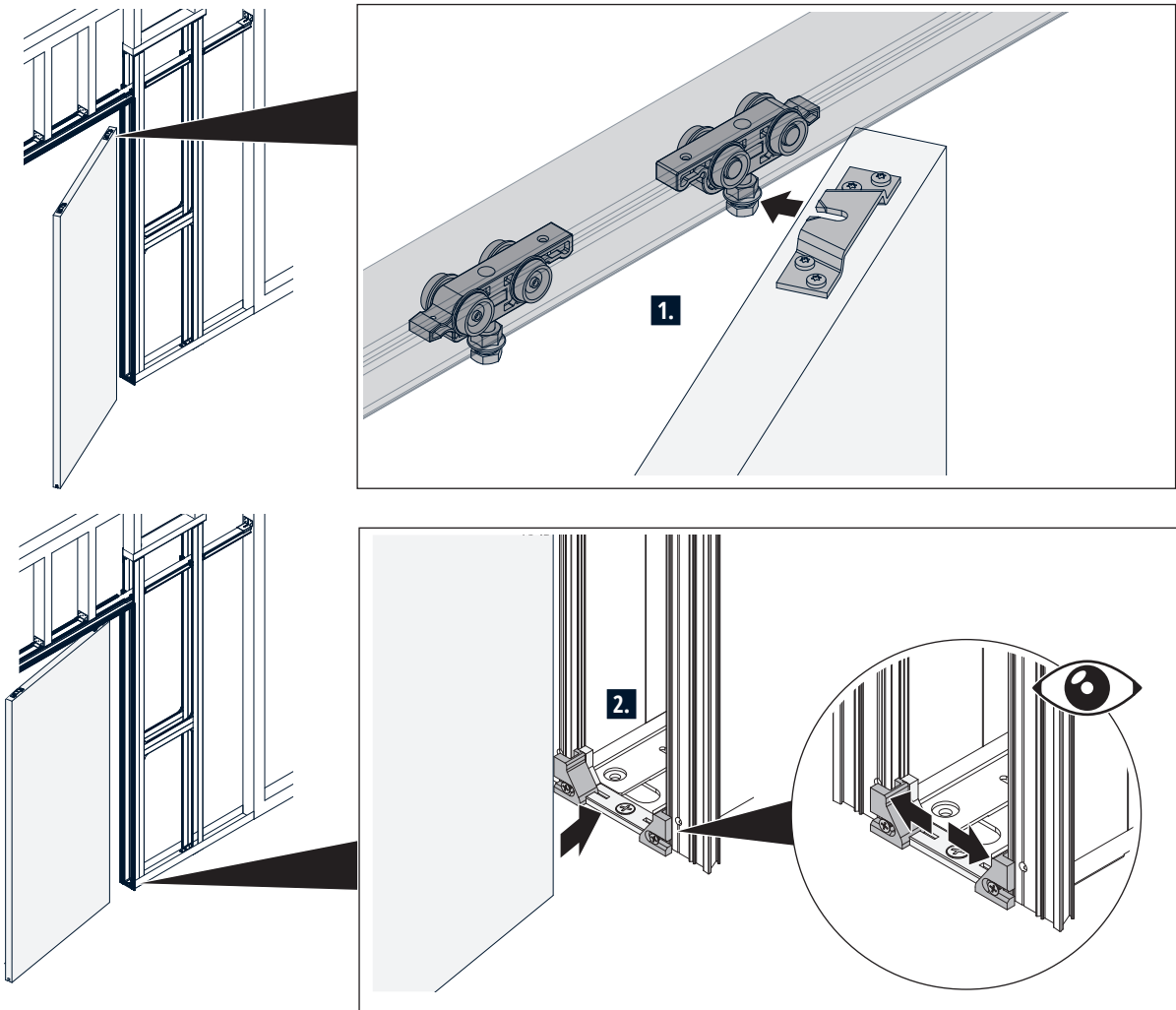


DOOR INSTALLATION - STANDARD WOOD MOUNTS

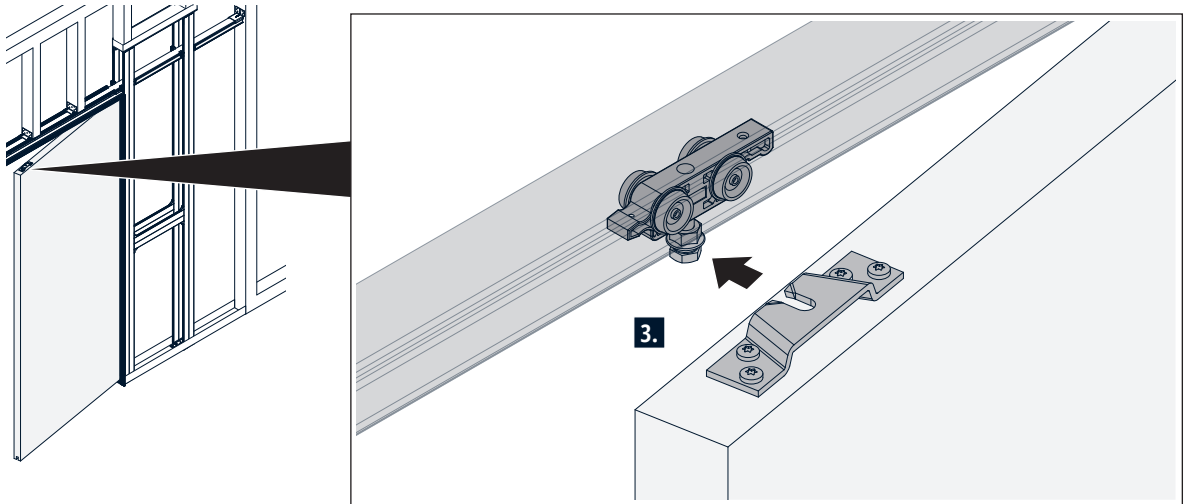
Wood Standard 16.



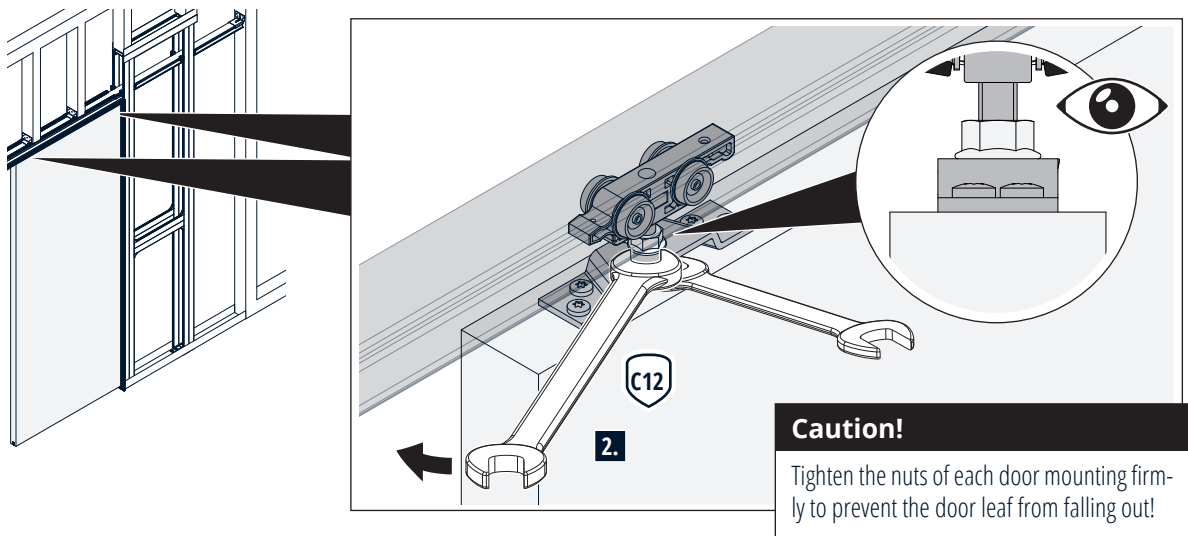
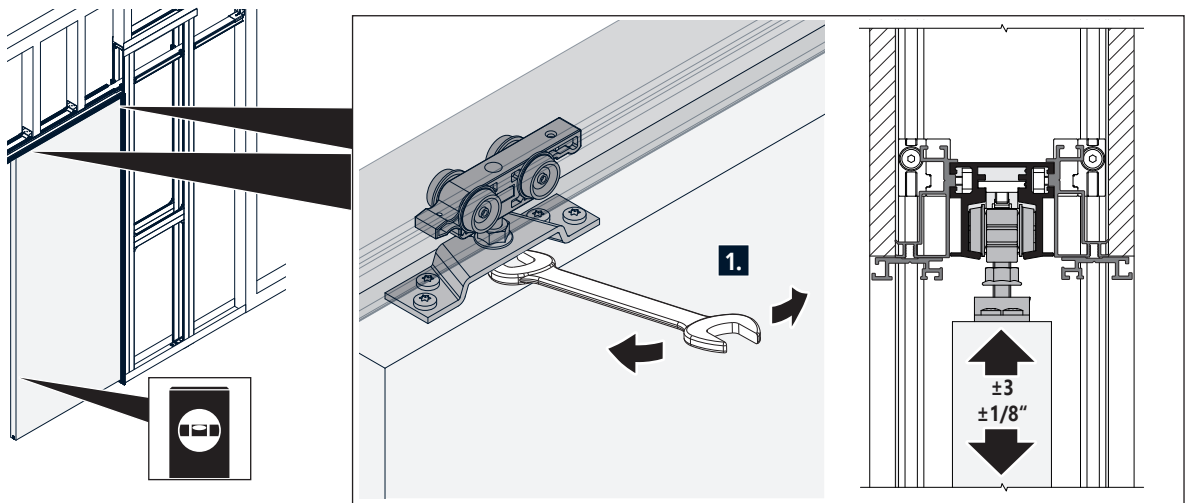
Wood Standard 17.



DOOR INSTALLATION - STANDARD WOOD MOUNTS

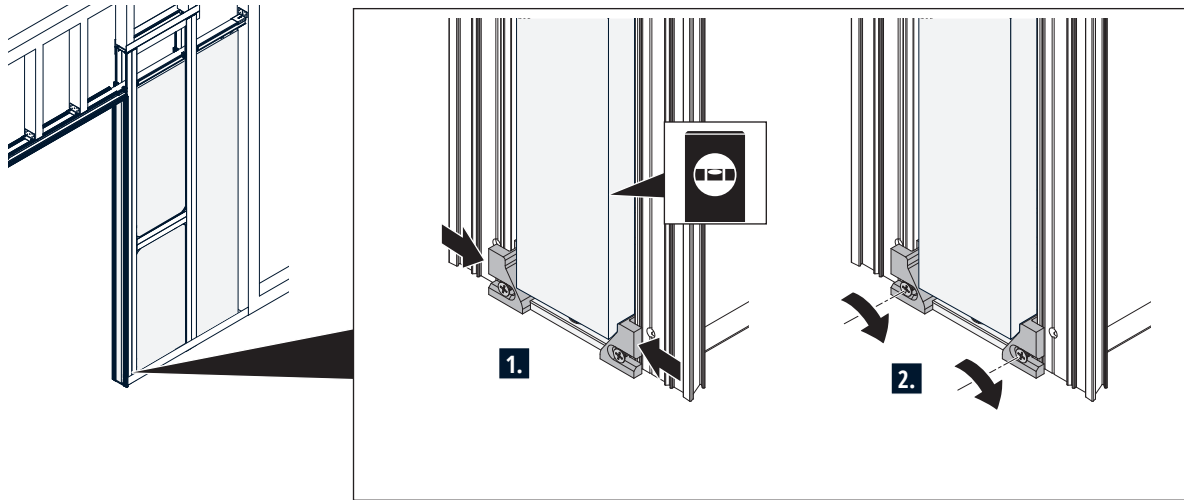


Wood Standard 18.



DOOR INSTALLATION - STANDARD WOOD MOUNTS

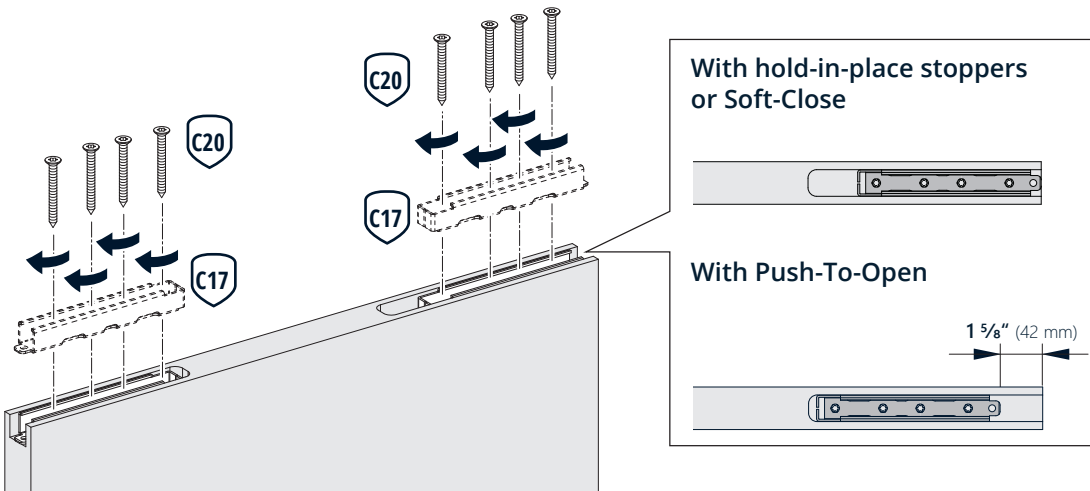
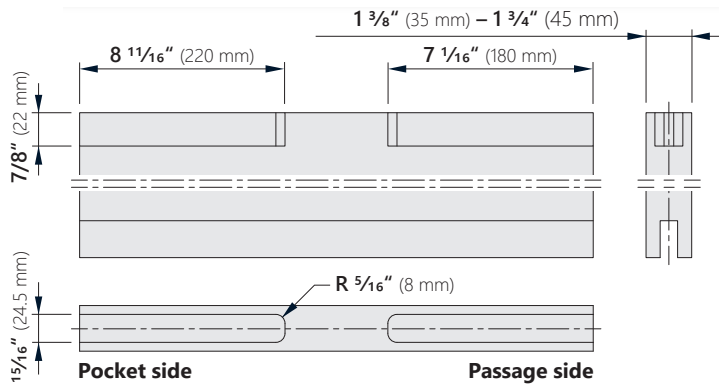
Wood Standard 19.



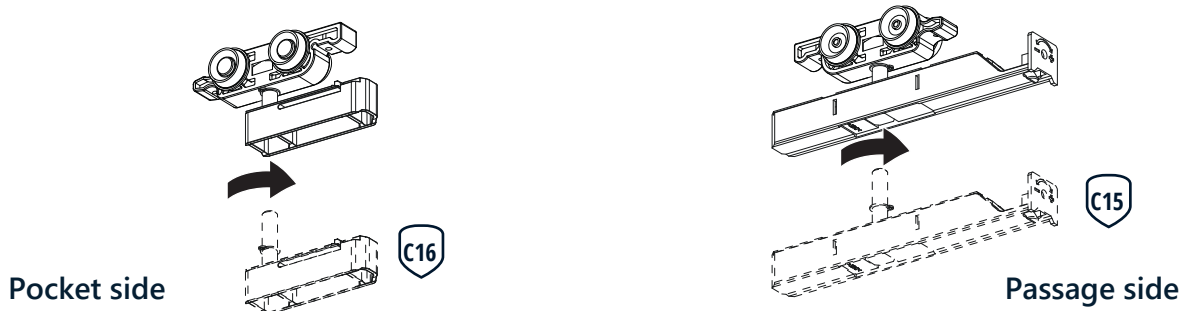
Note:
Go to Step 21 and adjust the positioning of the stoppers!

DOOR INSTALLATION - RECESSED WOOD MOUNTS

Wood Recessed 16.

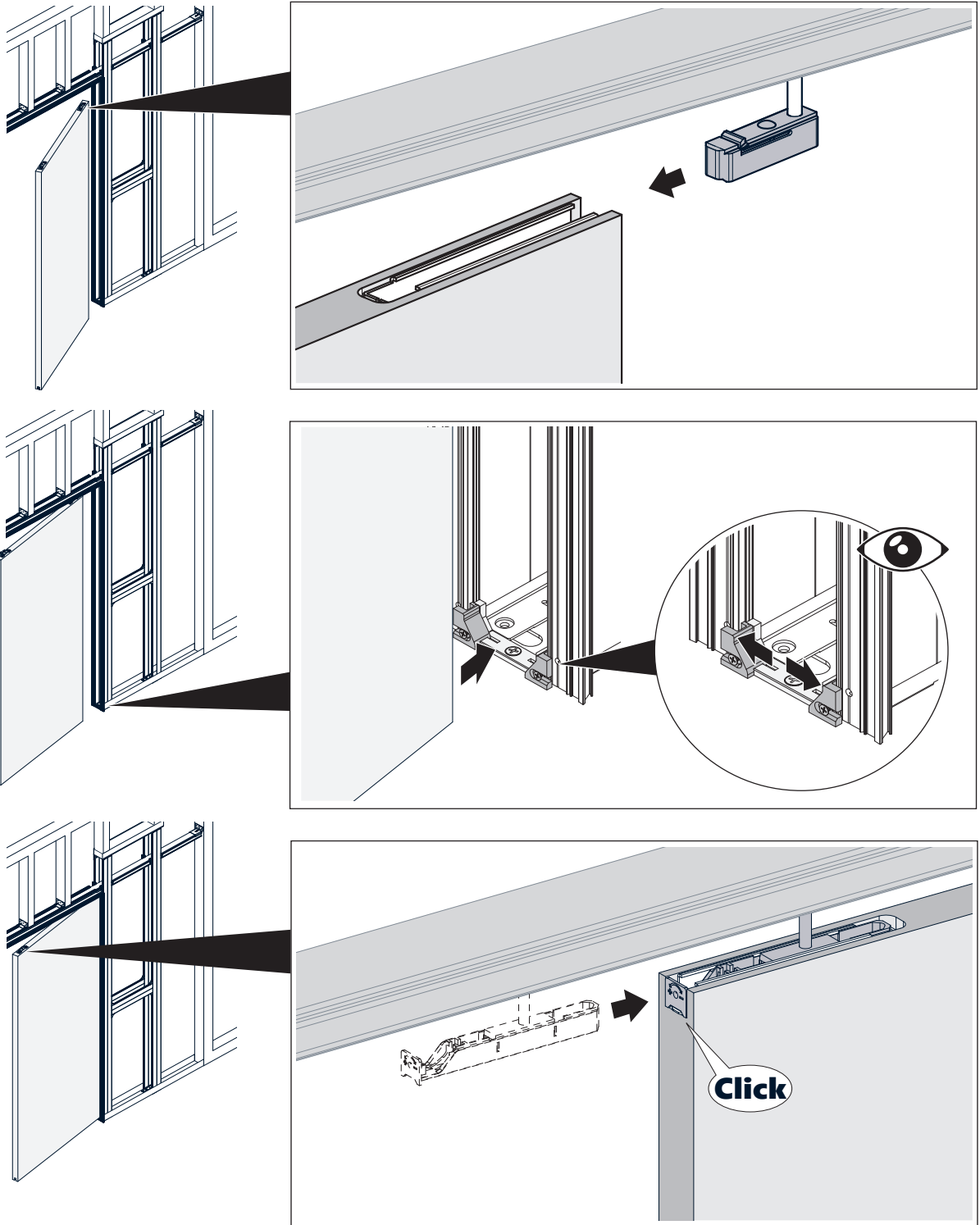


Wood Recessed 17.



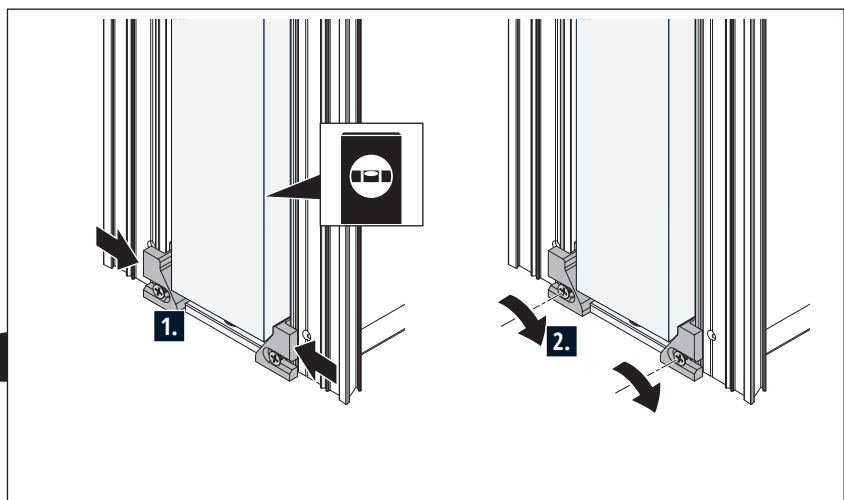
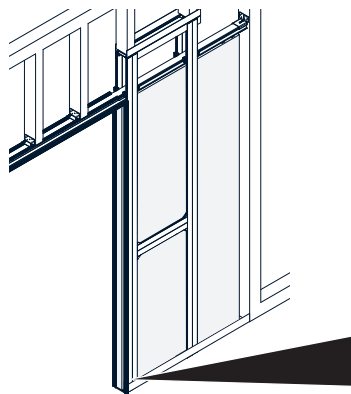
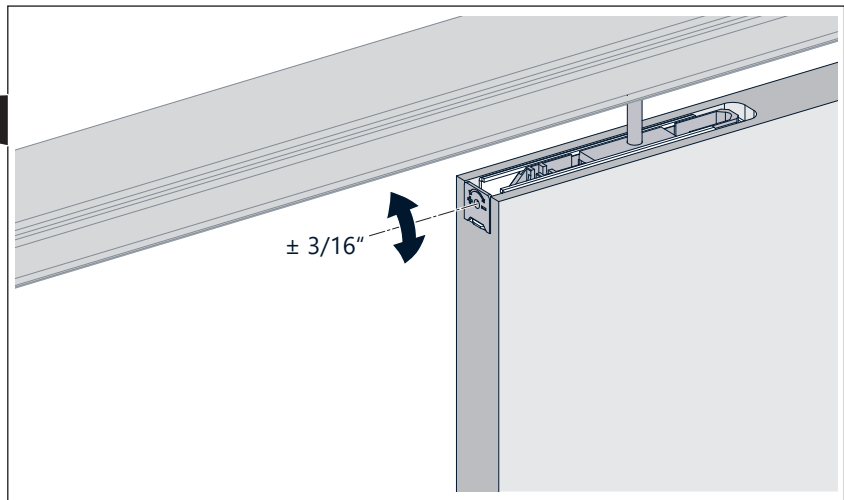
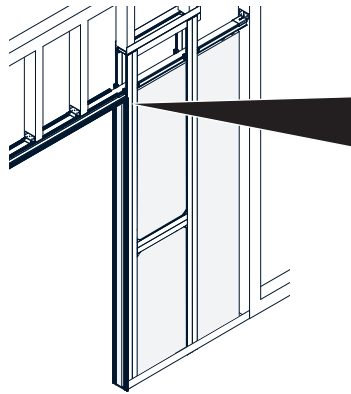
DOOR INSTALLATION - RECESSED WOOD MOUNTS

Wood Recessed 18.



DOOR INSTALLATION - RECESSED WOOD MOUNTS

Wood Recessed 19.

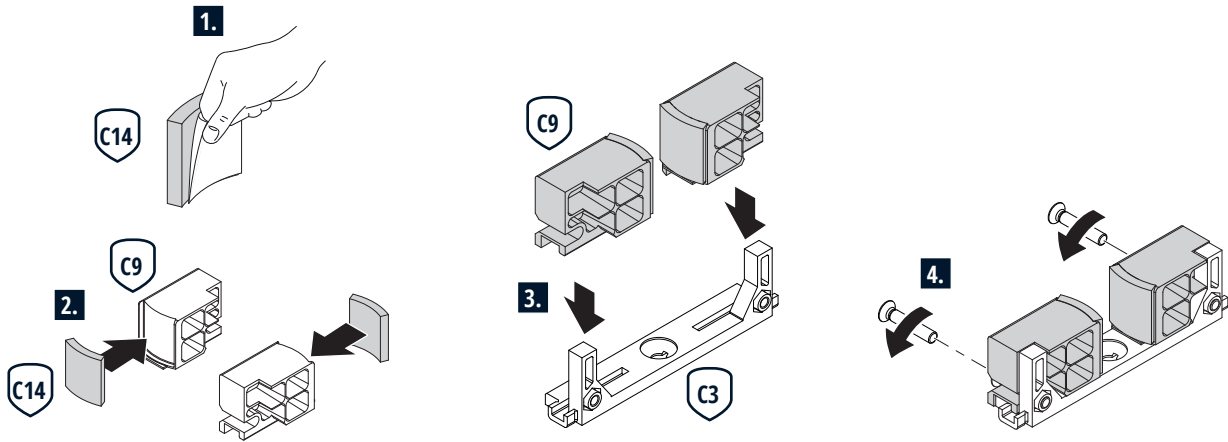


Note:

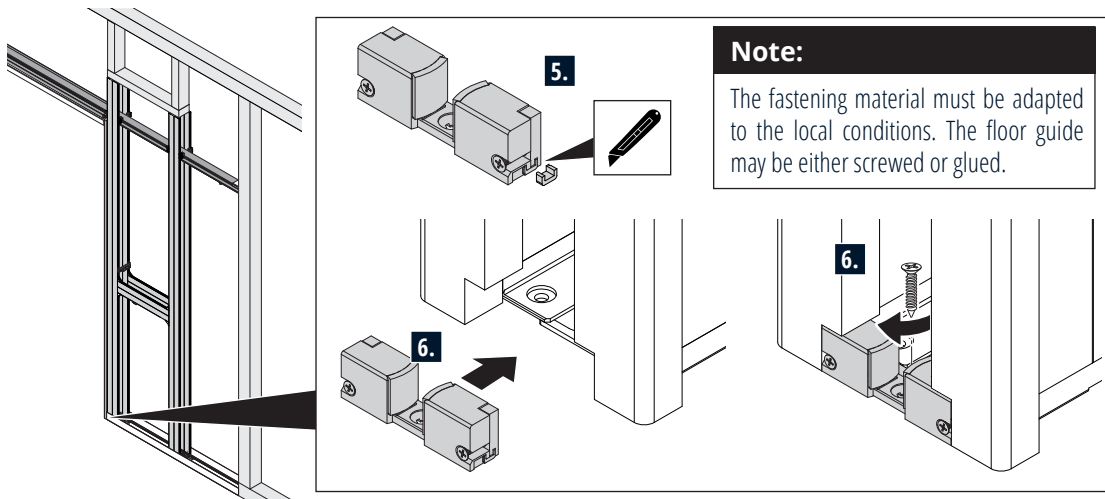
Go to Step 21 and adjust the positioning of the stoppers!

DOOR INSTALLATION - GLASS CLAMPS

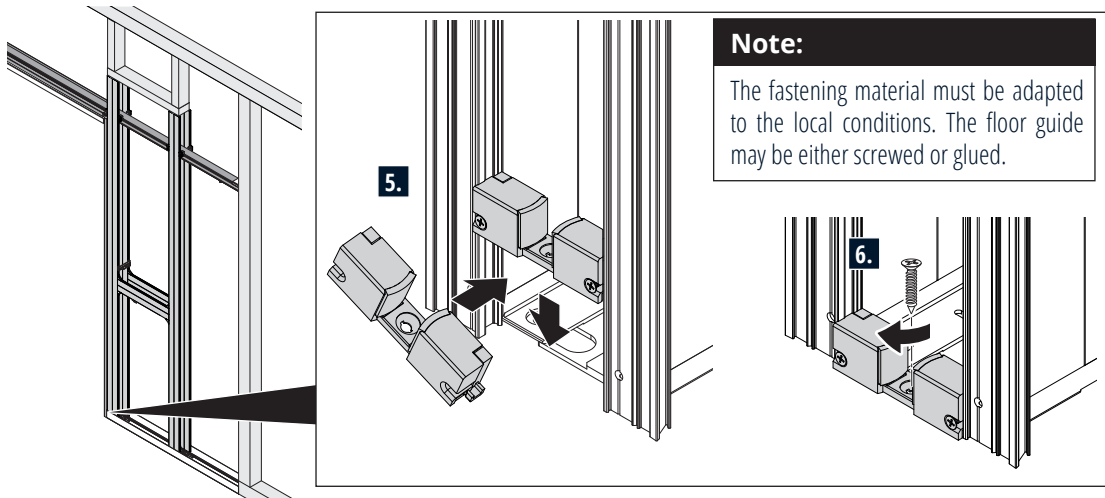
Frameless Glass 15.



With jamb kit or casing

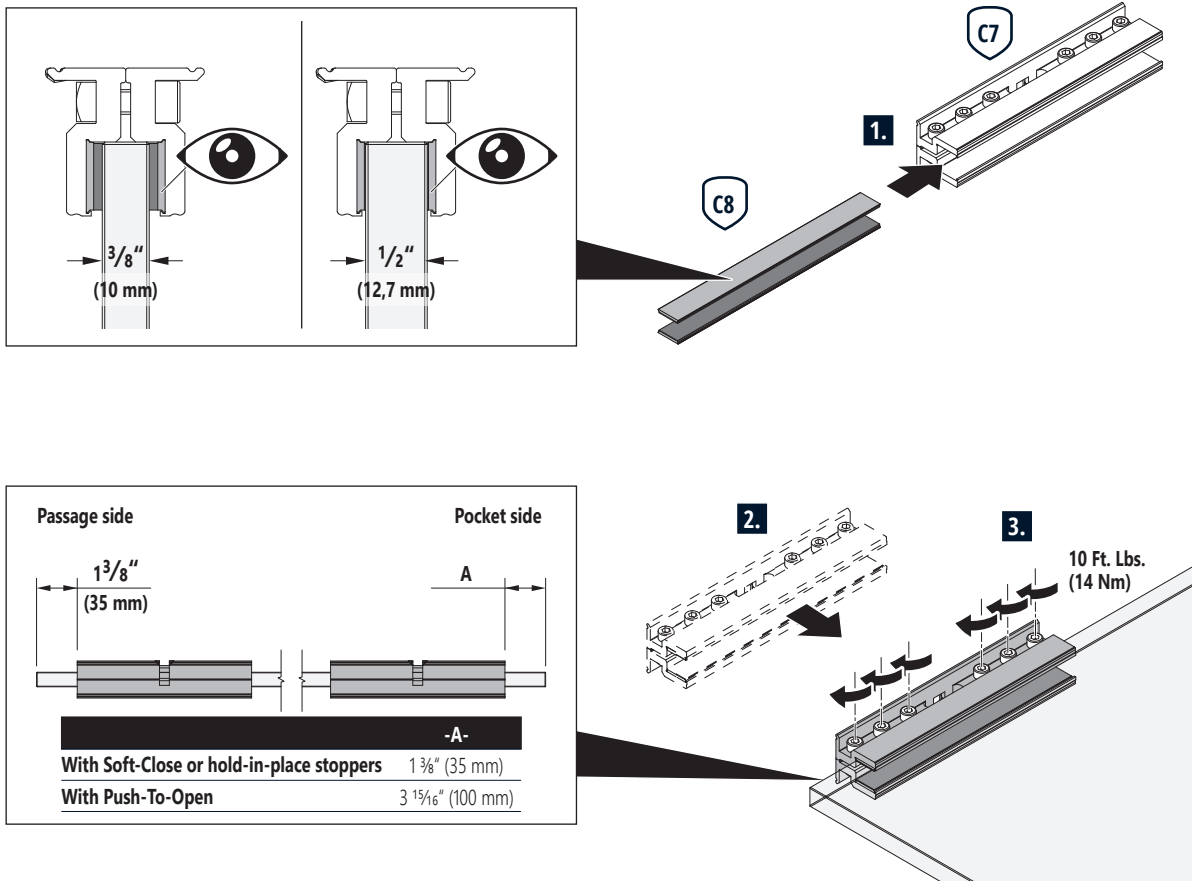


With frameless profiles

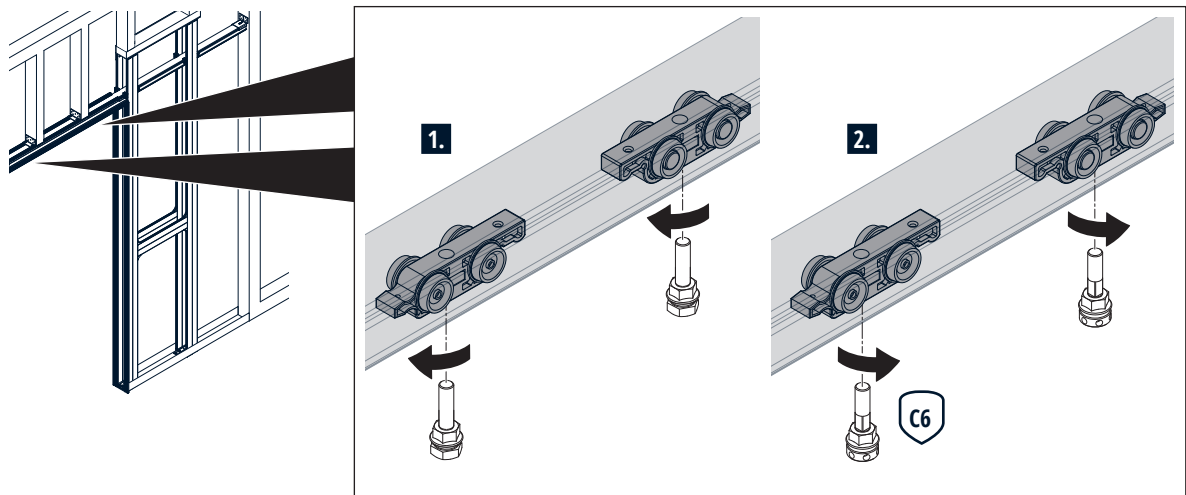


DOOR INSTALLATION - GLASS CLAMPS

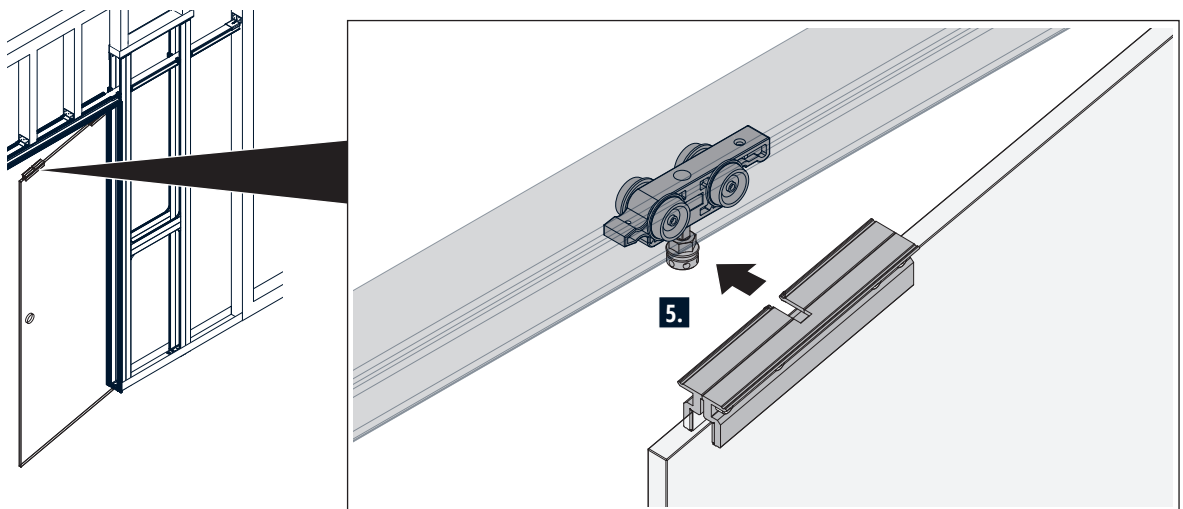
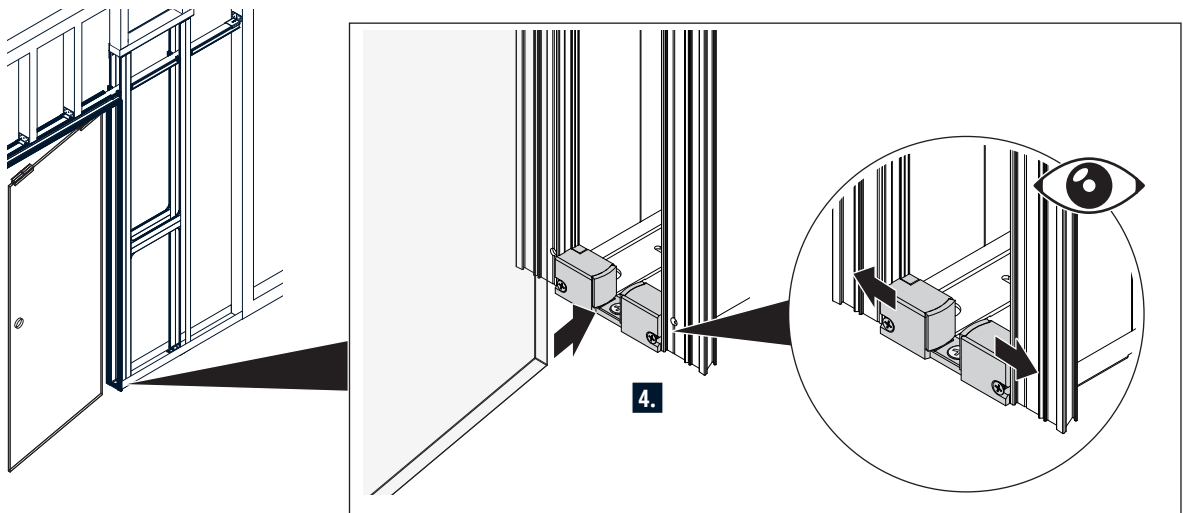
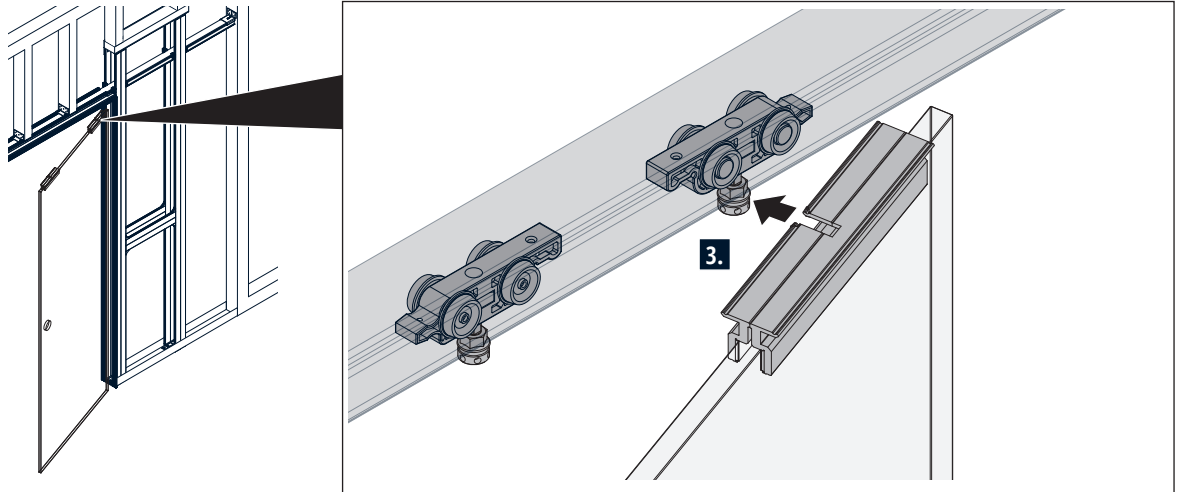
Frameless Glass 16.



Frameless Glass 17.

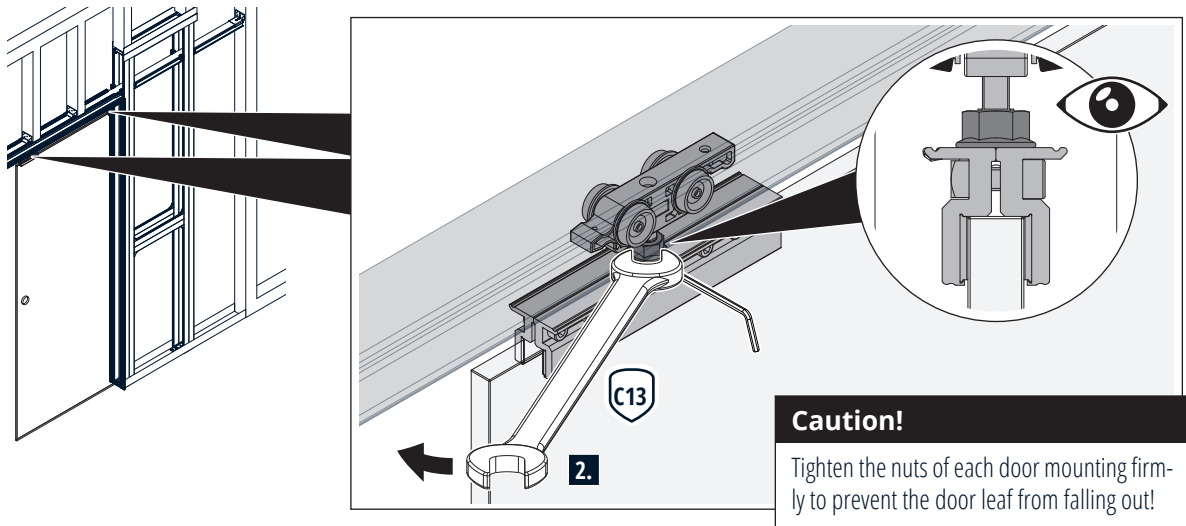
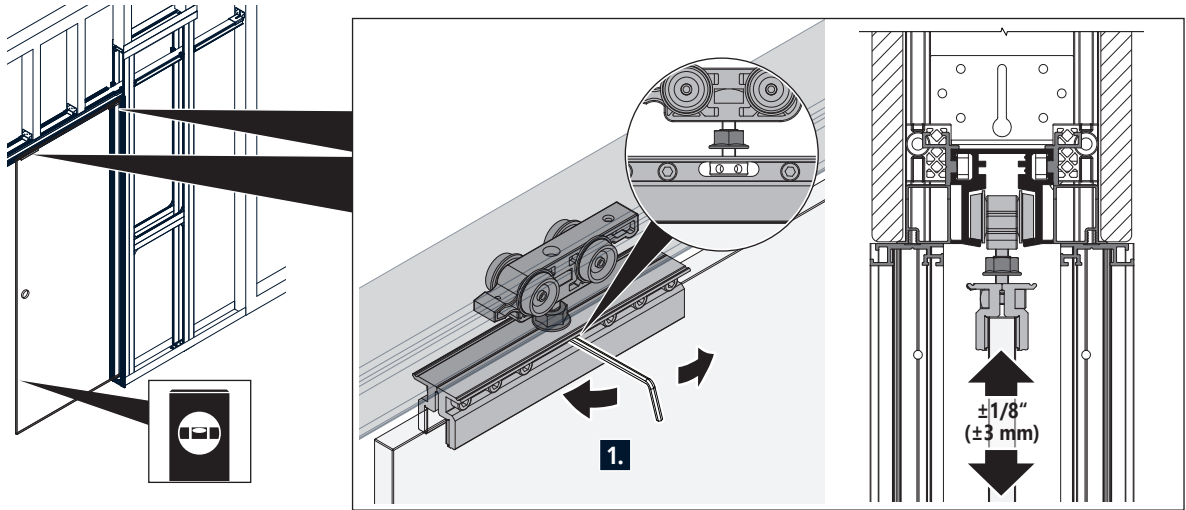


DOOR INSTALLATION - GLASS CLAMPS

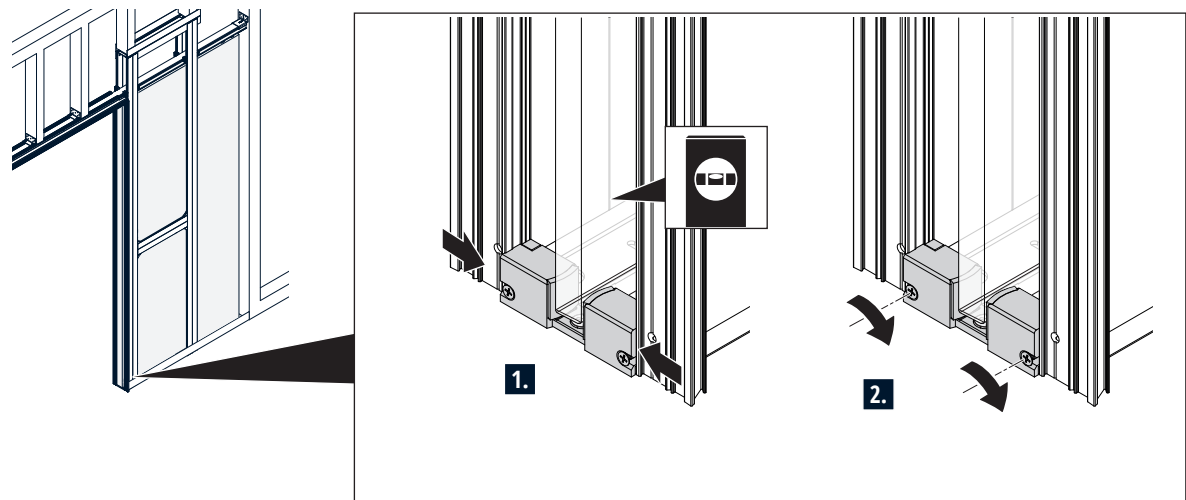


DOOR INSTALLATION - GLASS CLAMPS

Frameless Glass 18.

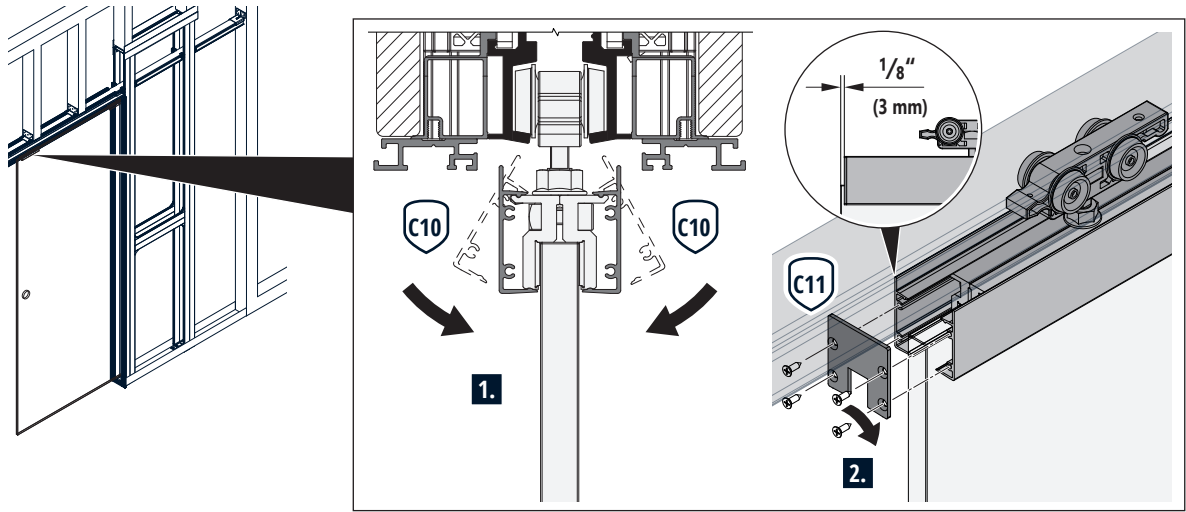


Frameless Glass 19.



DOOR STOP POSITION SETTING

Frameless Glass 20.



21. Track-in-Track door stop adjustment

