

# INSTALLATION INSTRUCTIONS

RECESSED WOOD DOOR MOUNTS  
FOR POCKET DOOR FRAMING AND HARDWARE KIT



# PREPARATION AND SCOPE OF DELIVERY

## Product description

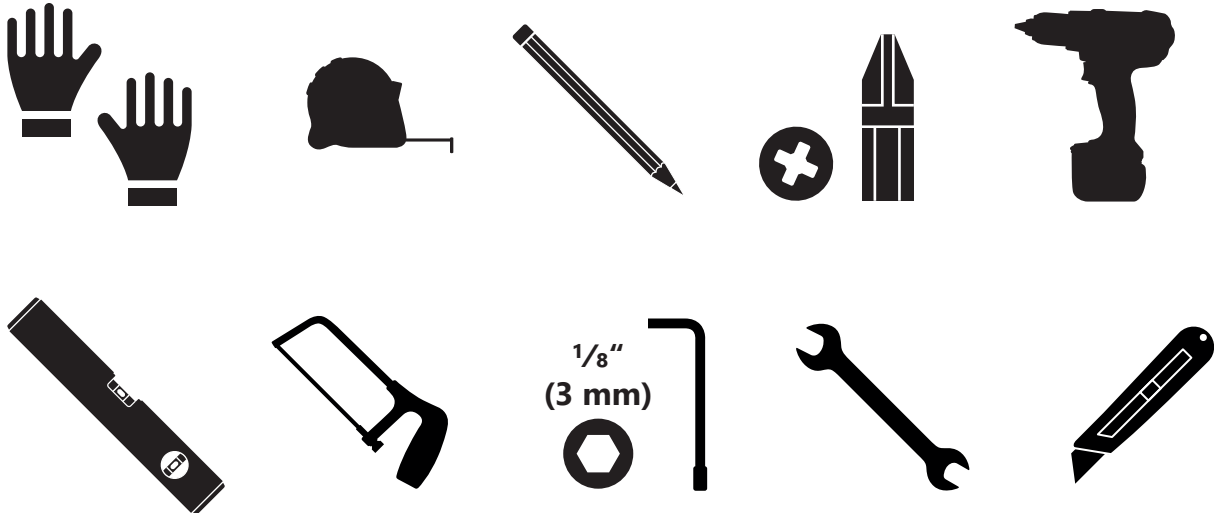
The recessed wood door mount accessory is for use in the compatible pocket door framing and hardware kit only. In case of uncertainty, please contact your supplier. It is suitable for routed wood doors up to 176 lb (80 kg) or 265 lb (120 kg) if used with the heavy duty wheels and no other weight limiting accessories.

## Safety notes

Before assembly, please read the installation instructions carefully. In case of difficulties in understanding, contact the customer service or your supplier. In order to assemble the purchased product properly, please use the tools indicated on the following page. Since some parts may have sharp edges, also be sure to protect your hands and work surfaces

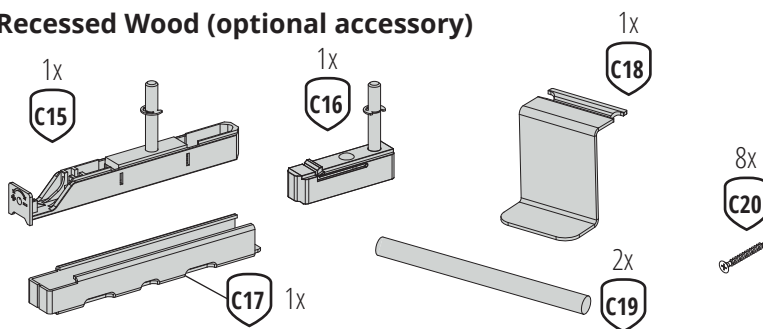
from cuts or scratches. During assembly, always ensure that you work ergonomically and only assemble alone if you can rule out any risk to your health or other persons. All components were checked for integrity before delivery. No liability is accepted for damage caused by improper assembly or transport.

## Required tools



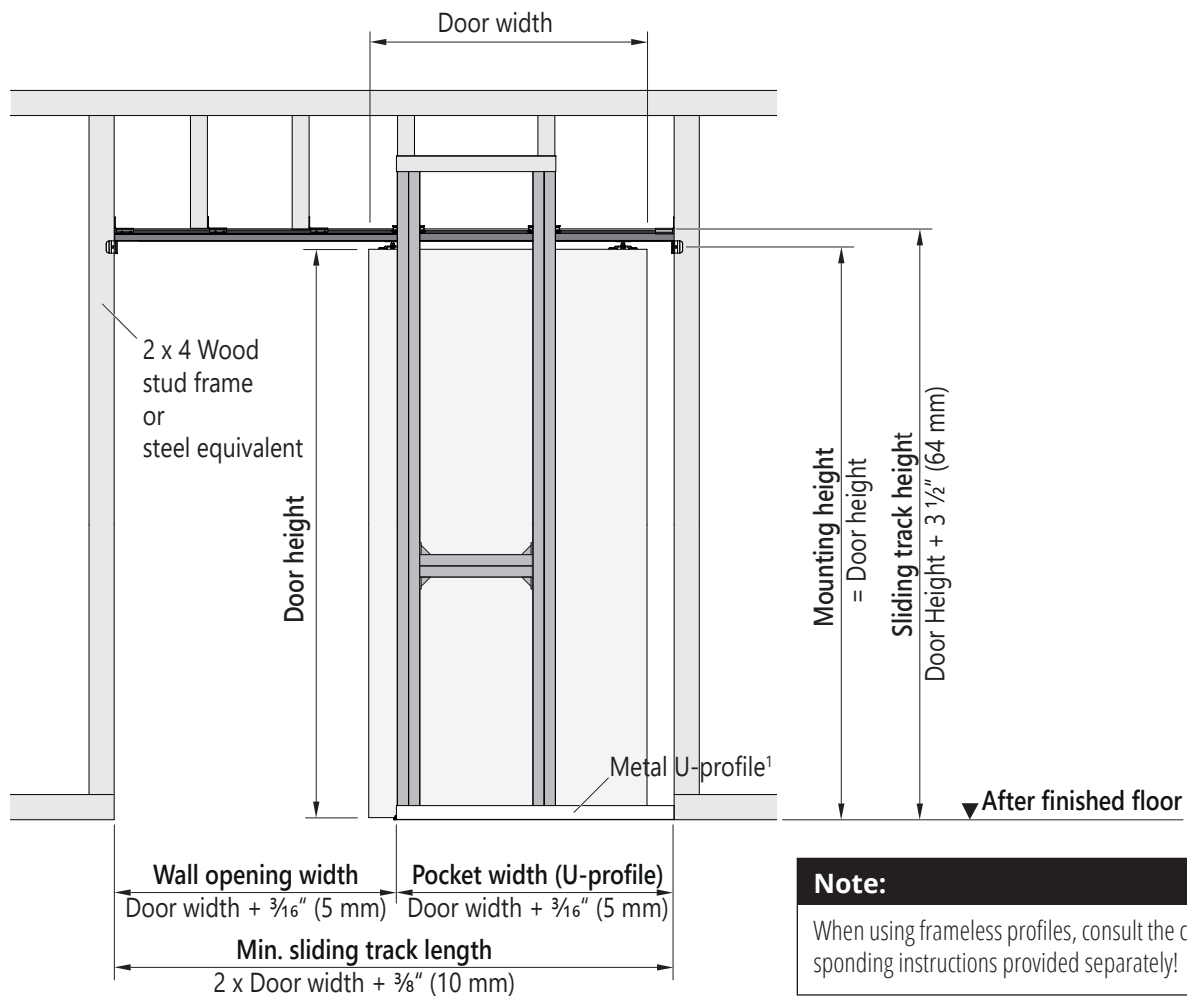
## Door hardware

### Recessed Wood (optional accessory)



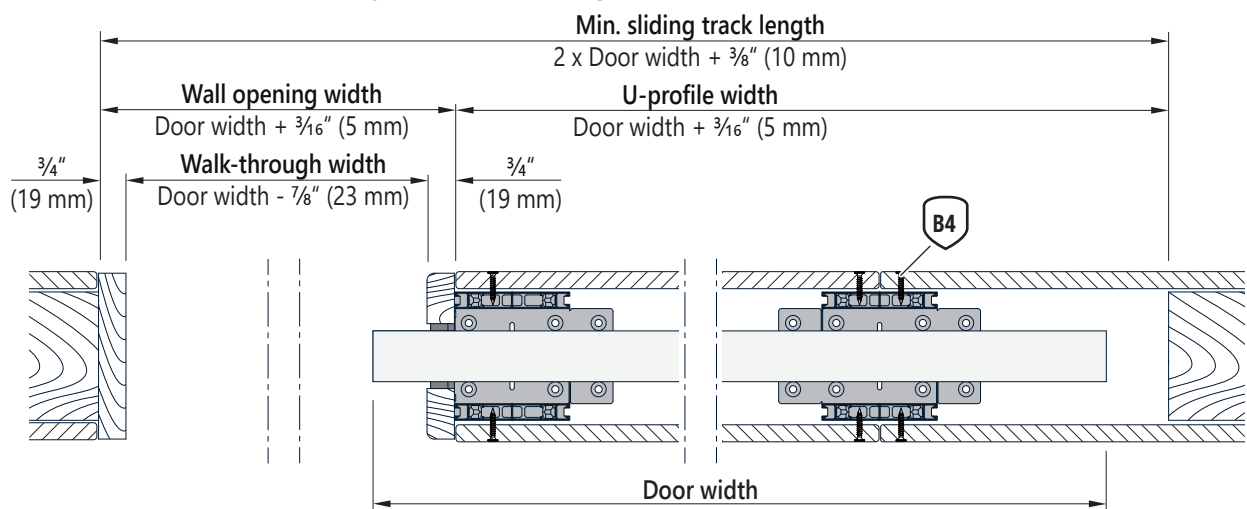
## Front view - Recessed wood mounts

### Recessed wood mounts with jamb kit or casing



## Top view - Recessed wood mounts

### Recessed wood mounts with jamb kit or casing

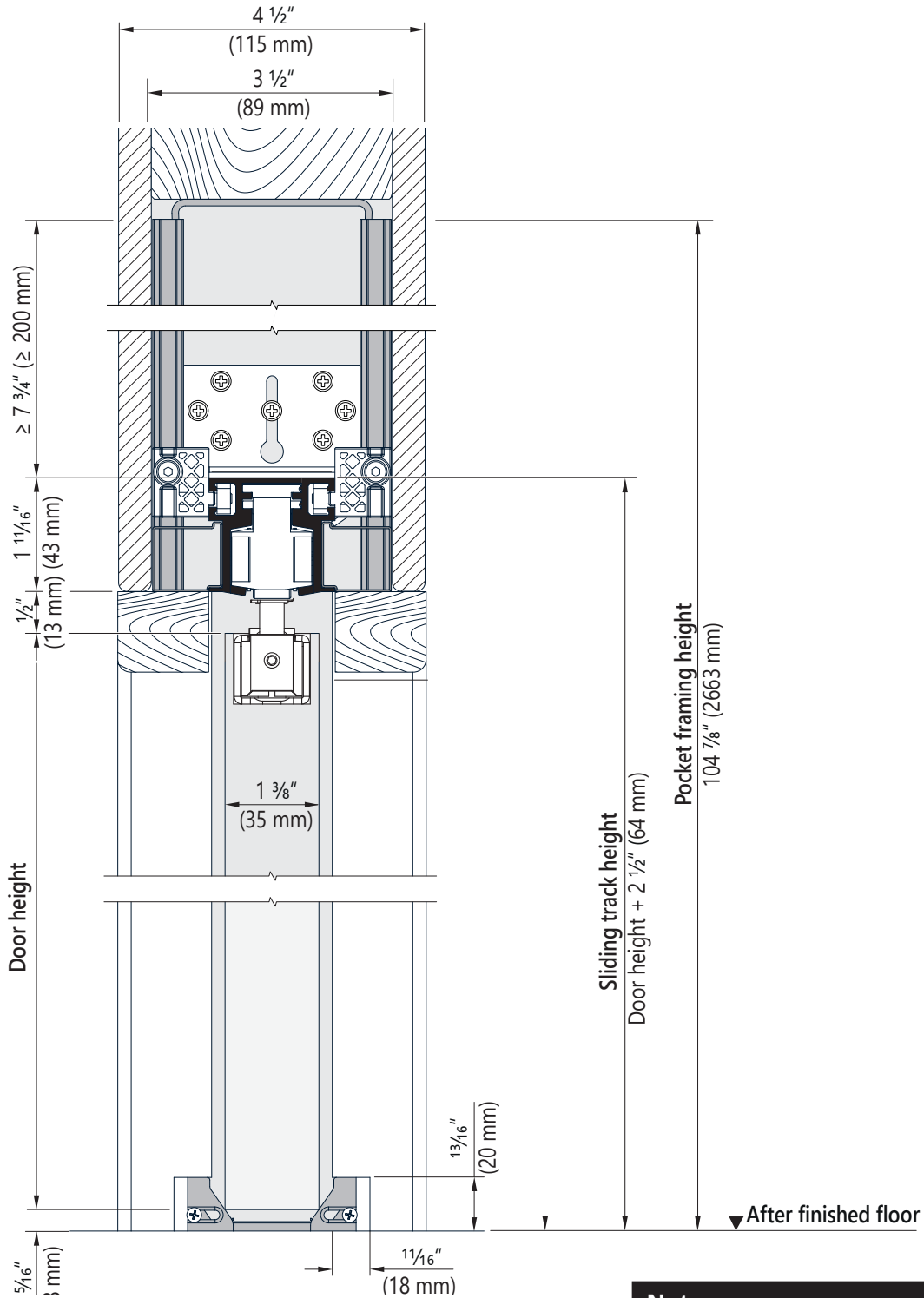


<sup>1</sup> U-profile is not included. Use U-shaped metal stud with correct dimensions. The profile is recommended but not needed.

# DIMENSIONS

## Side view - Recessed wood mounts

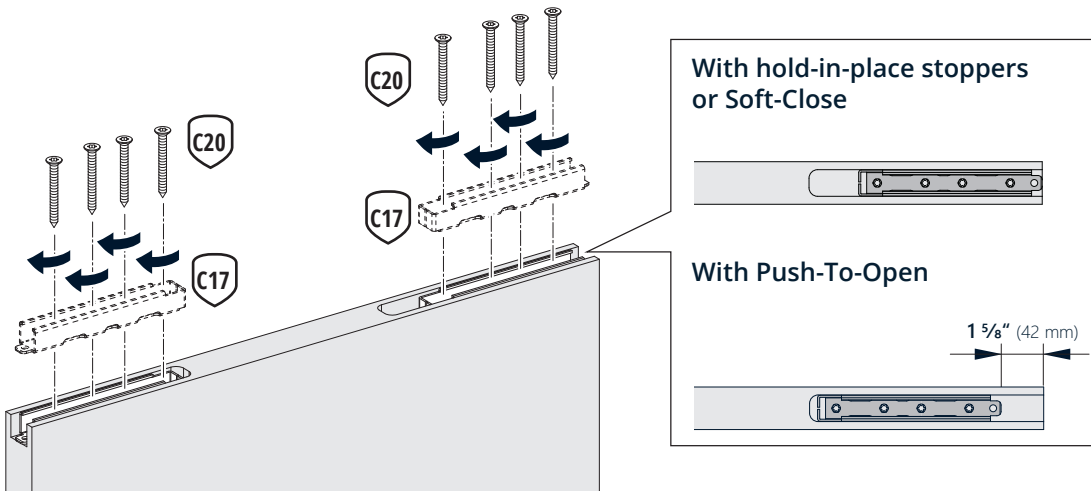
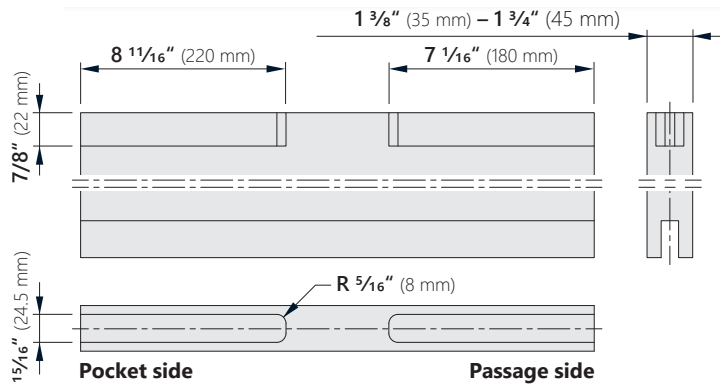
### Recessed wood mounts with jamb kit or casing



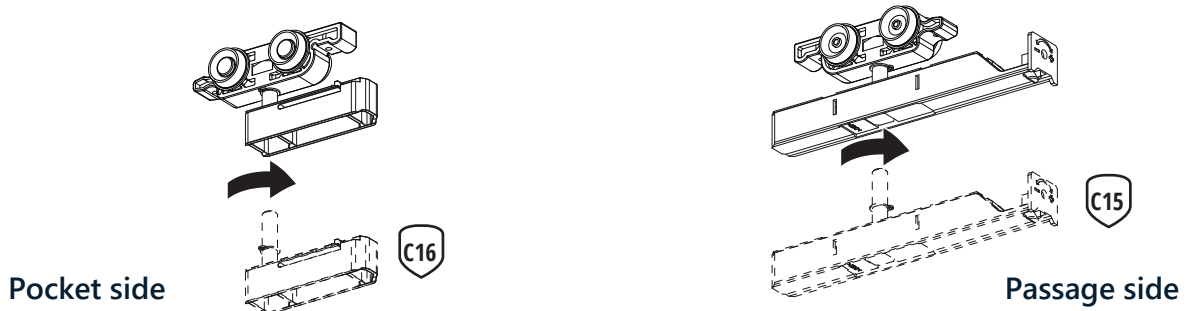
**Note:**  
When using frameless profiles, consult the corresponding instructions provided separately!

# DOOR INSTALLATION - RECESSED WOOD MOUNTS

1.

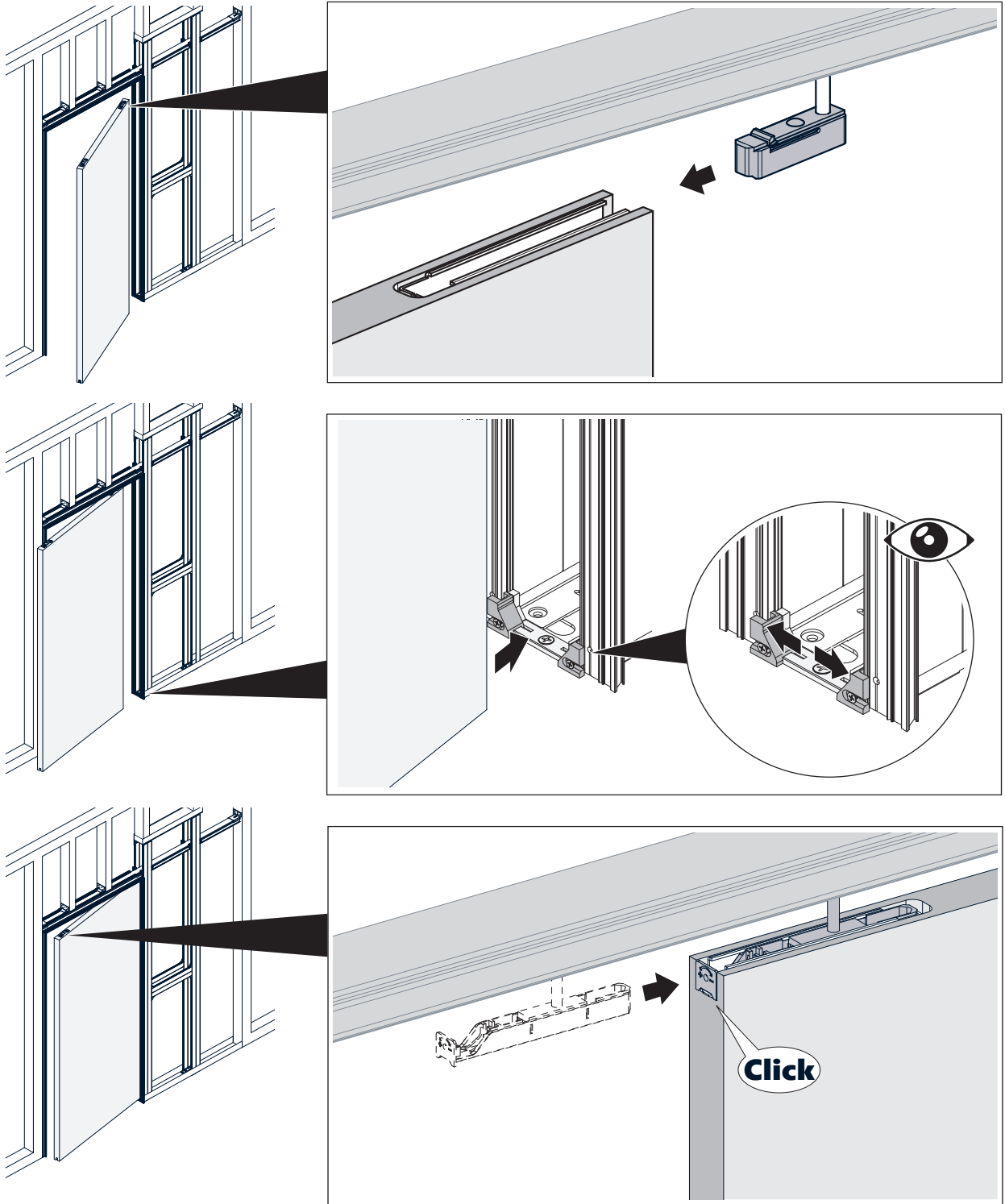


2.



# DOOR INSTALLATION - RECESSED WOOD MOUNTS

3.



# DOOR INSTALLATION - RECESSED WOOD MOUNTS

4.

