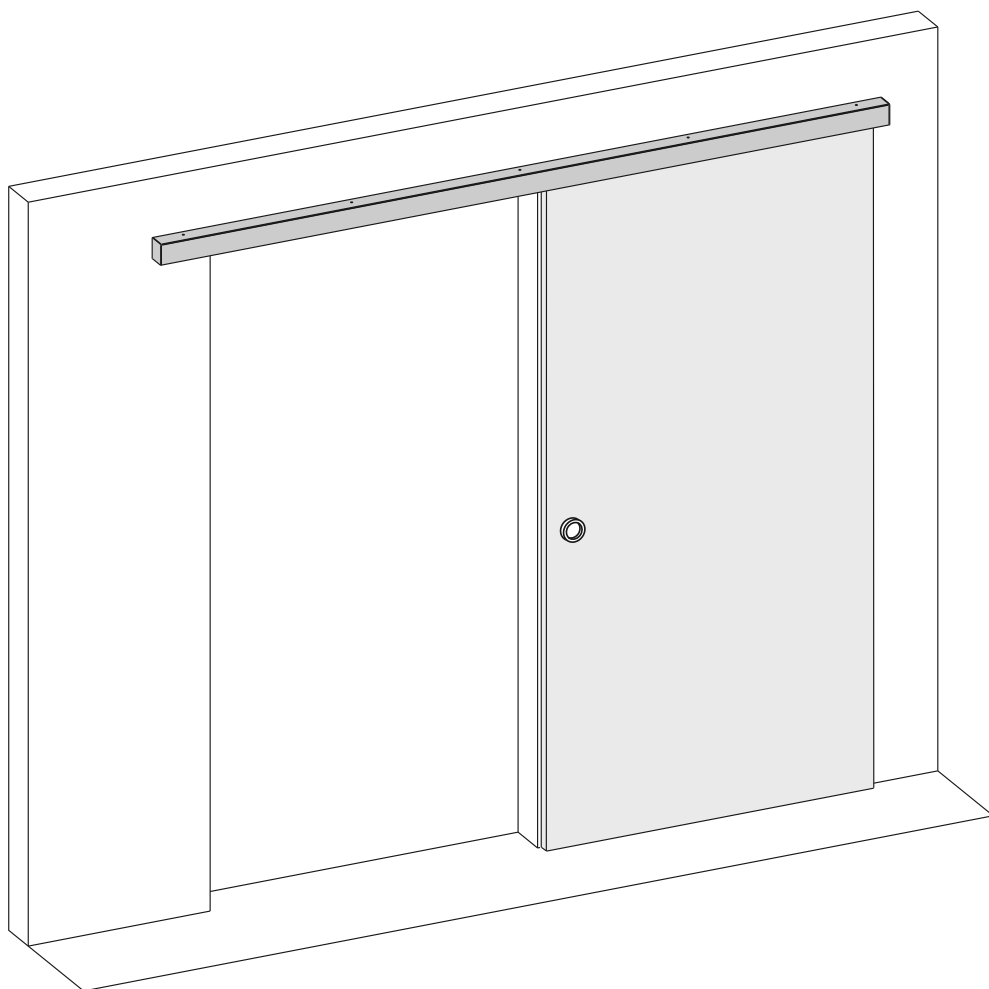


INSTALLATION INSTRUCTION

Enclosed barn door track
for wood doors up to 143 lb

Article number 0520037, 0520038

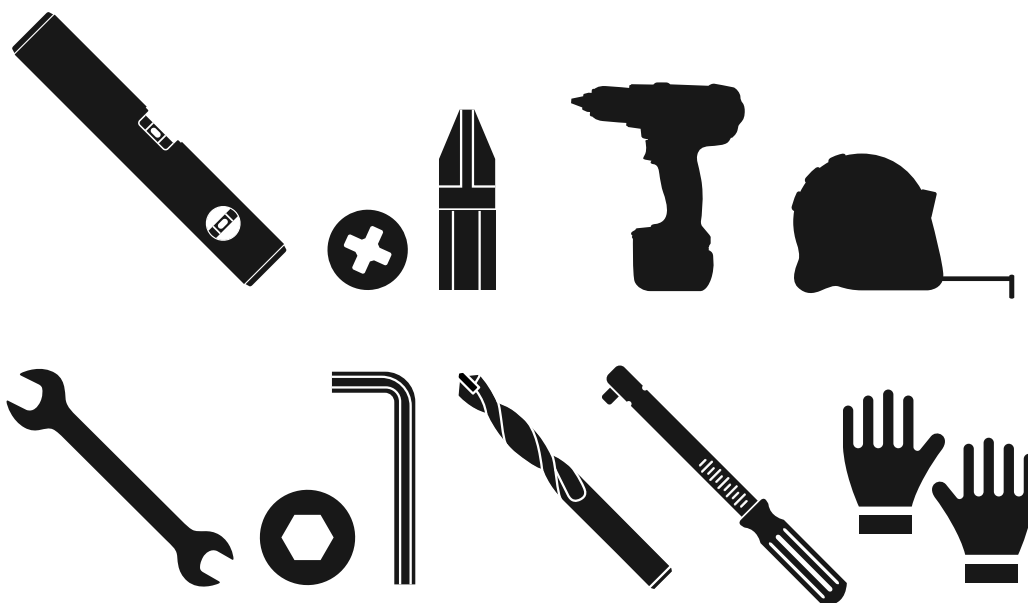


MOUNTING PREPARATION | WOOD SLIDING DOOR

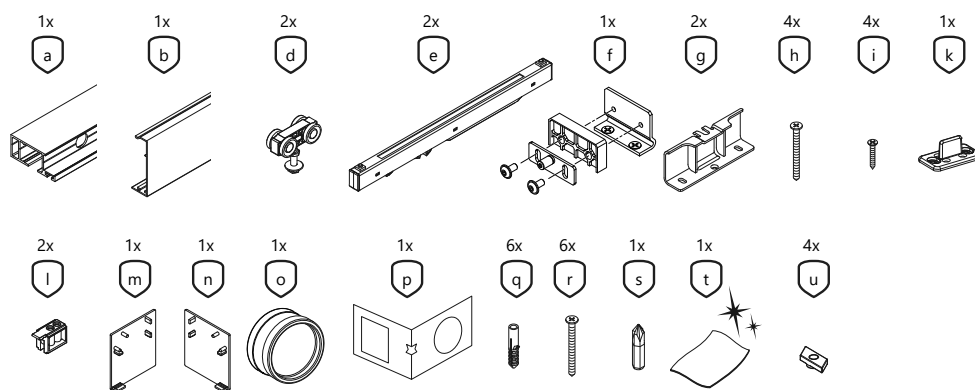
Safety notes

Before assembly, please read the assembly instructions carefully. In case of difficulties in understanding, contact the customer service or your supplier. In order to assemble the purchased product properly, please use the tools indicated on the following page. All components have been checked for integrity before delivery. For damage caused by improper assembly or transport no liability will be accepted.

Required tools



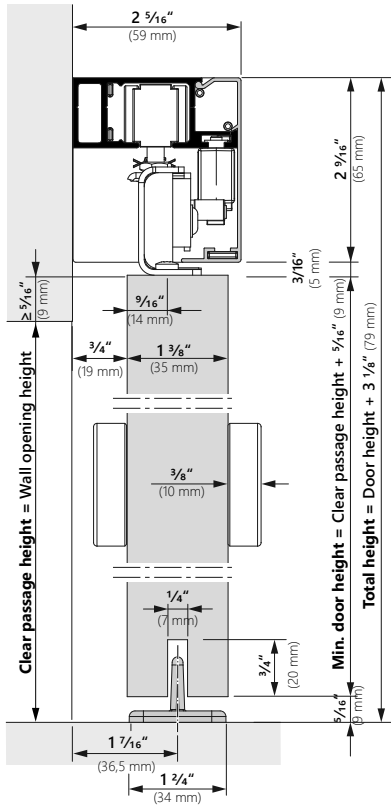
Parts of the box track



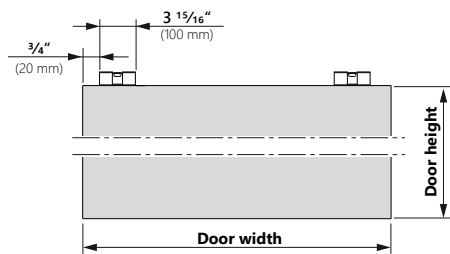
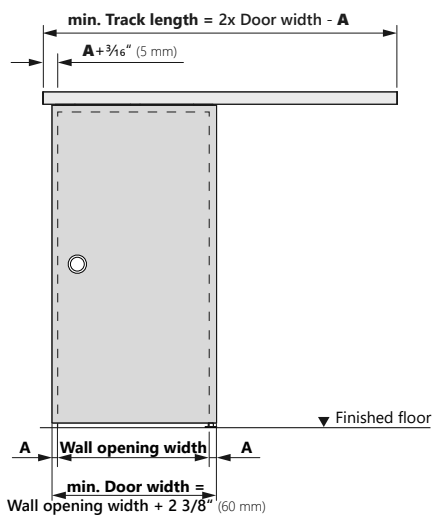
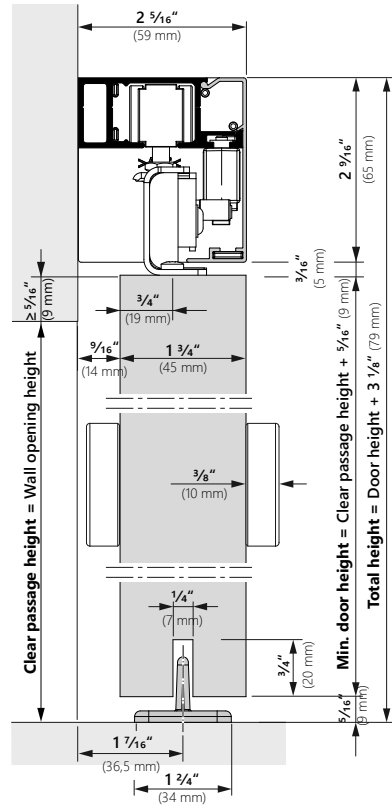
DIMENSIONS | WOOD SLIDING DOOR

Side and front view

1 3/8" (35 mm) door thickness

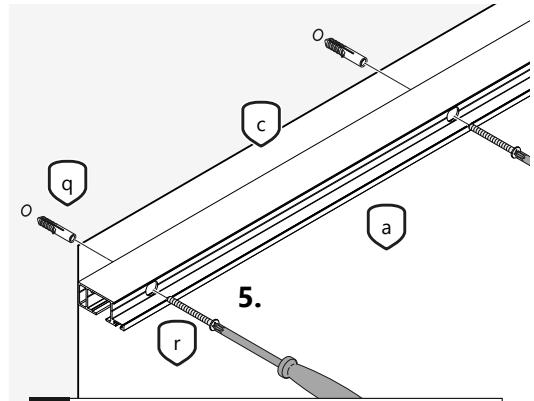
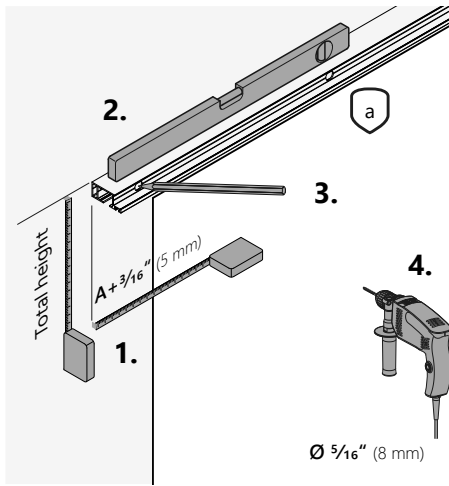


1 3/4" (45 mm) door thickness



MOUNTING | WOOD SLIDING DOOR

1.

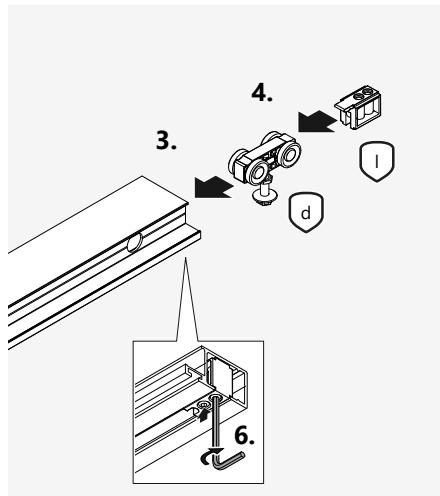
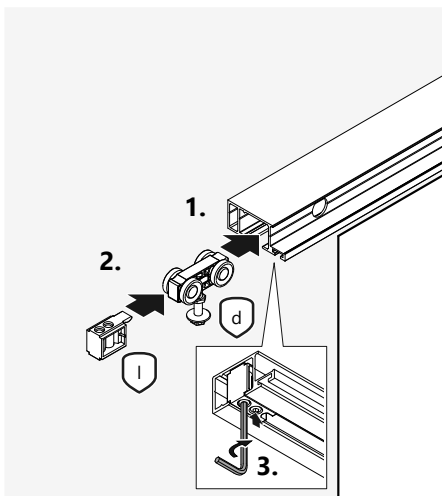


! The load-bearing capacity of the wall must be checked. Suitable fastening material must be provided by the customer! The material provided is suitable for brick and concrete walls only.

2.

Left side

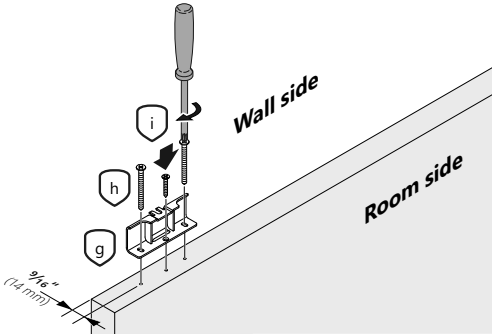
Right side



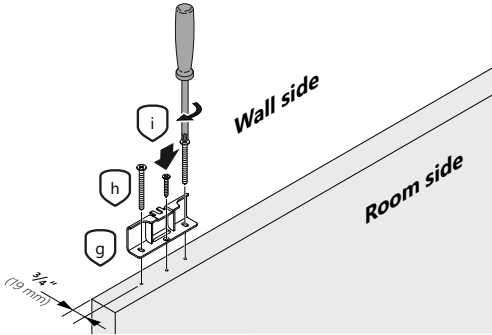
MOUNTING | WOOD SLIDING DOOR

3.

1 3/8" (35 mm) door thickness



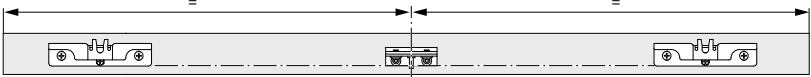
1 3/4" (45 mm) door thickness



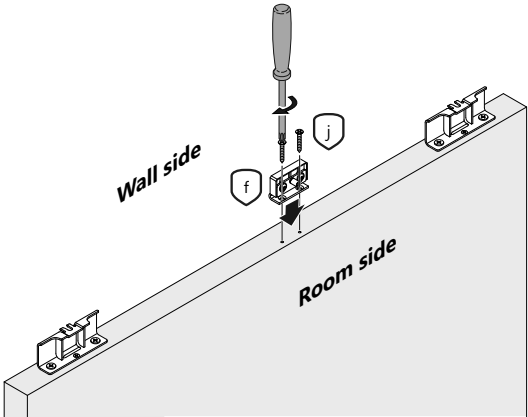
i Predrill the screw holes with a 1/8" (3 mm) drill to a depth of 1 3/4" (45 mm)!

4.

Wall side

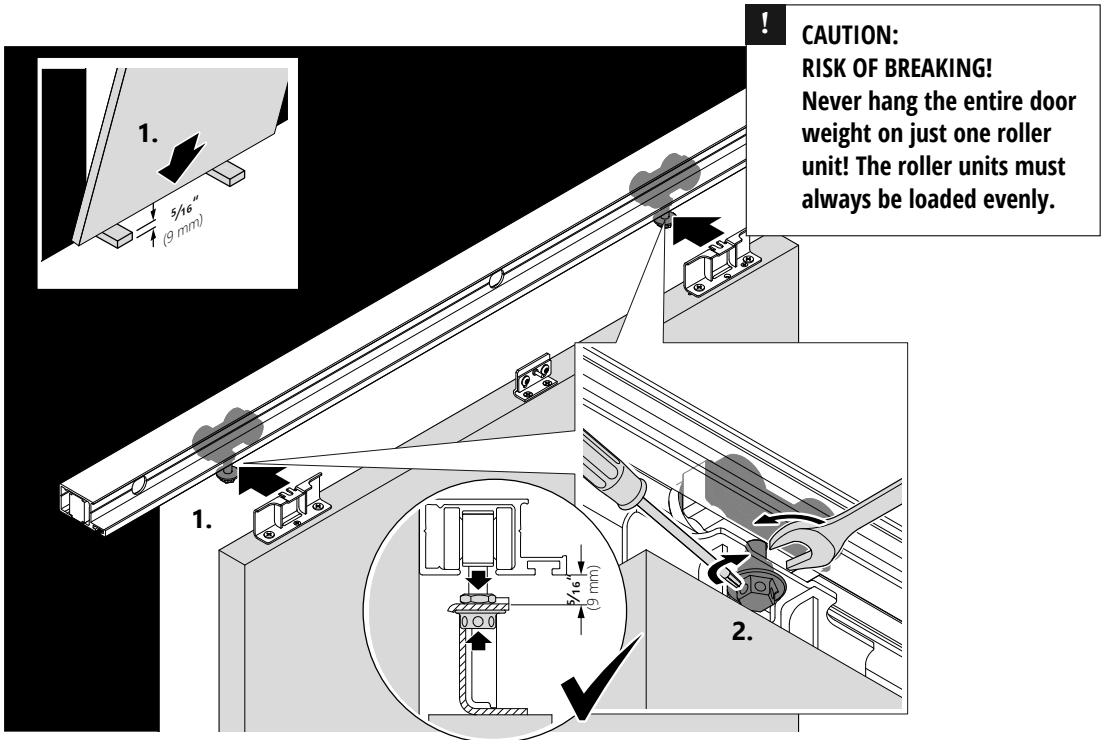


Room side

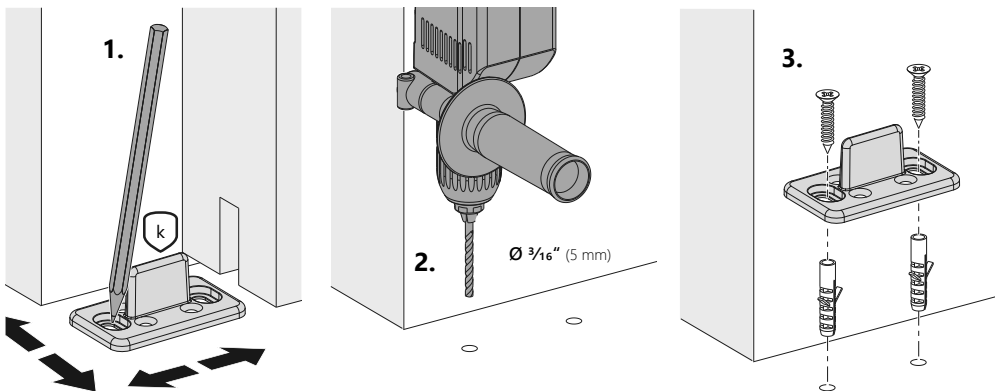


MOUNTING | WOOD SLIDING DOOR

5.

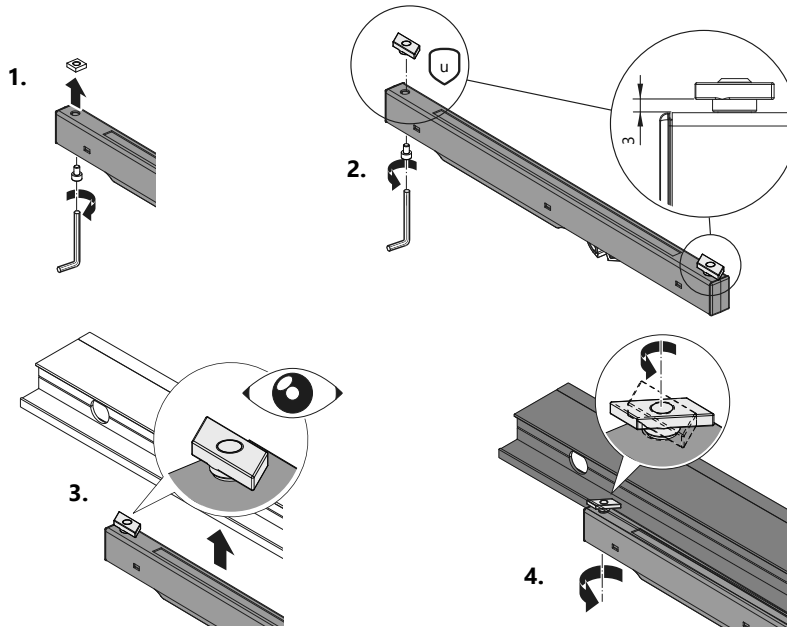


6.



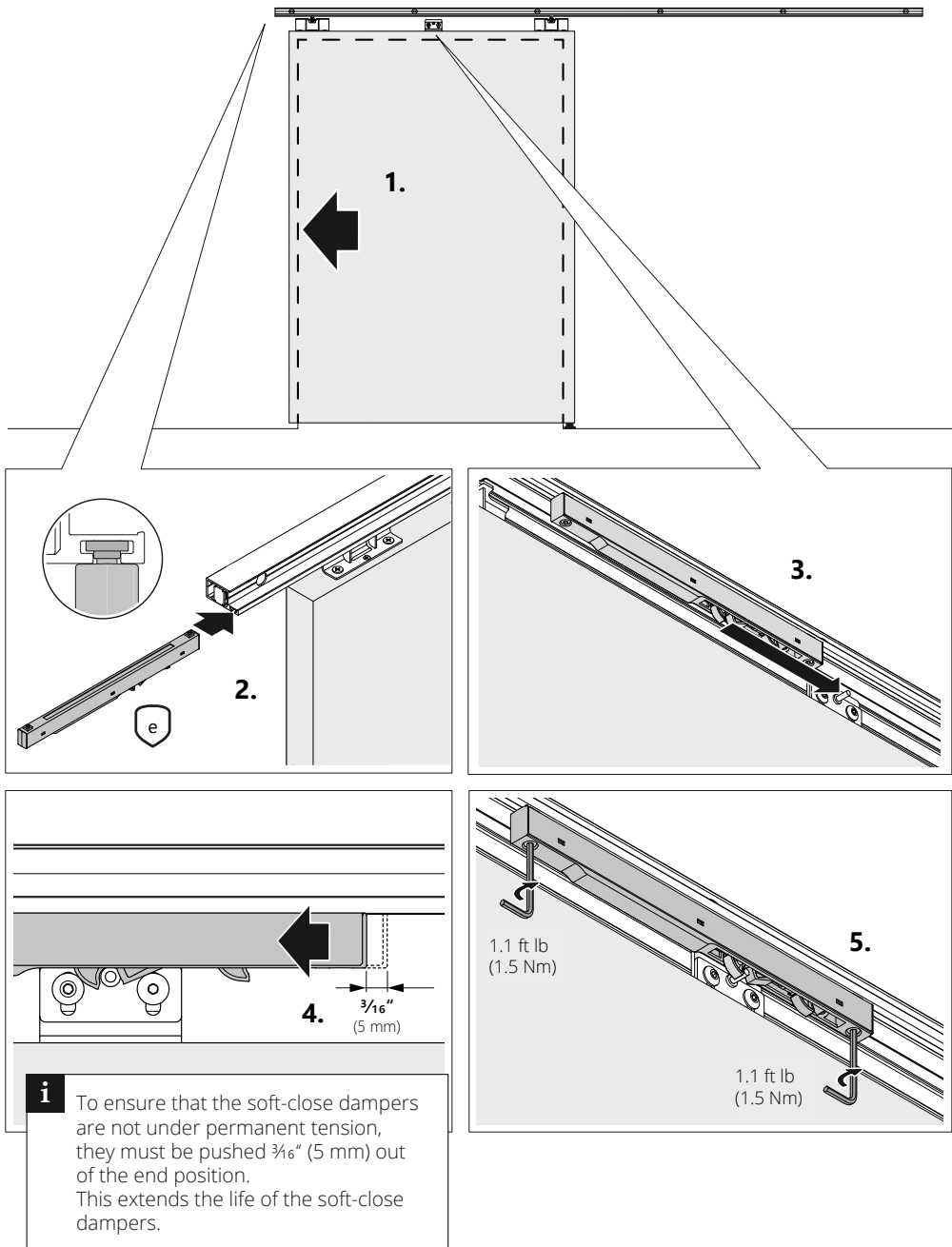
SSS
The condition of the floor must be checked. Suitable fastening material must be provided by the customer!

Mounting option: Mounting the softclose from below



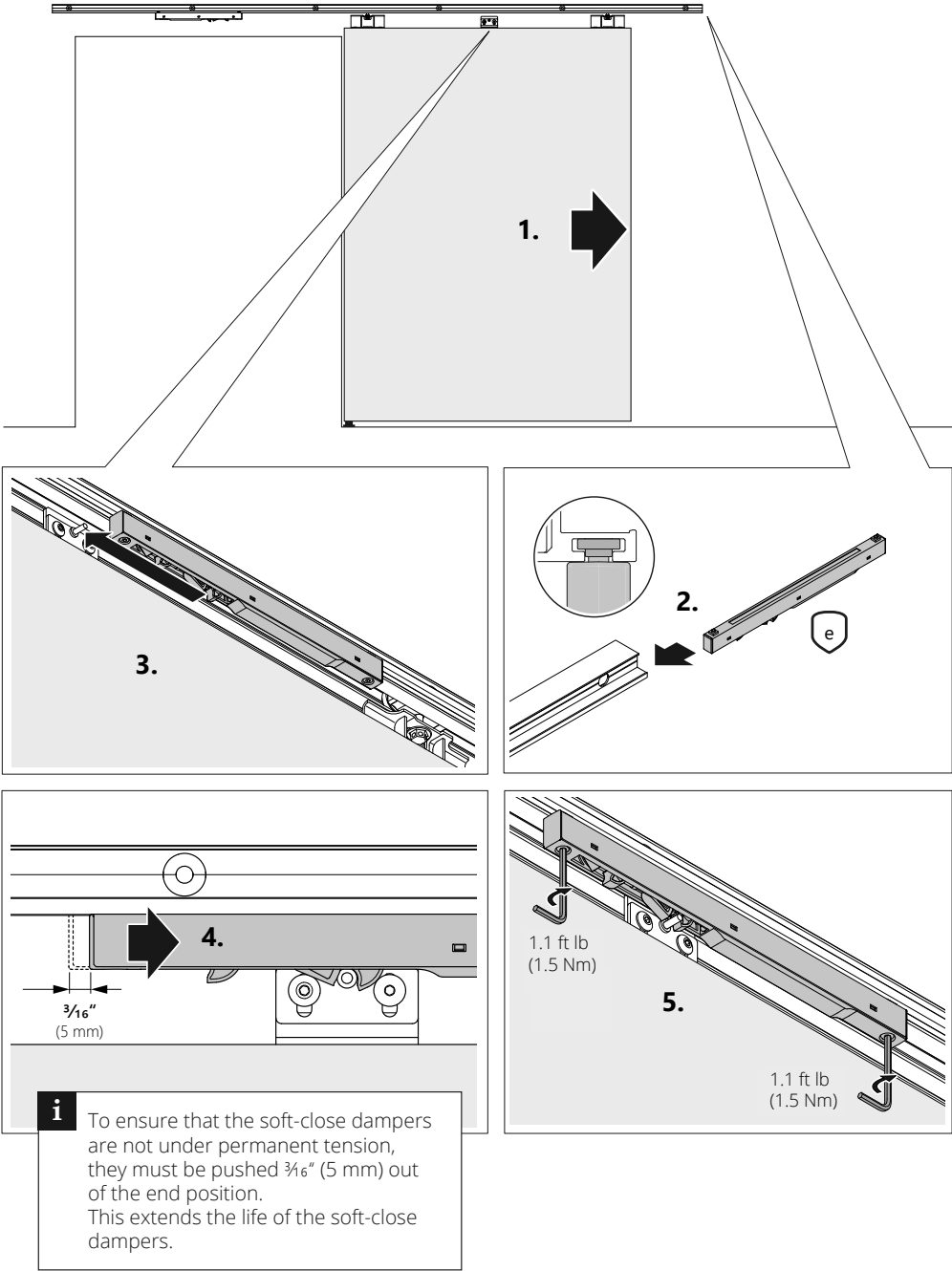
MOUNTING | WOOD SLIDING DOOR

7.



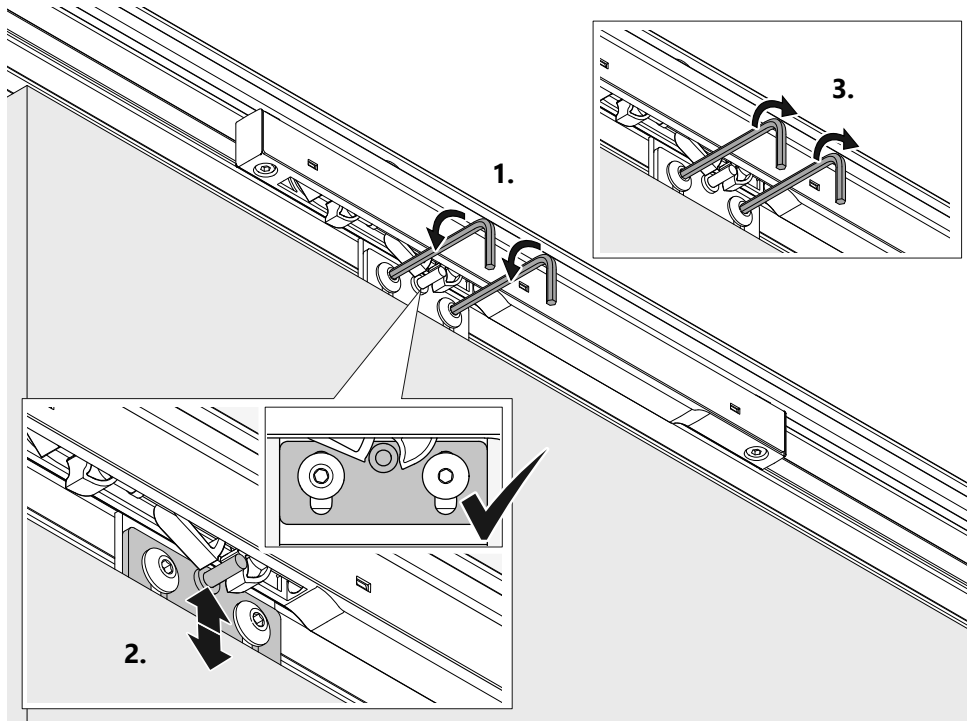
MOUNTING | WOOD SLIDING DOOR

8.

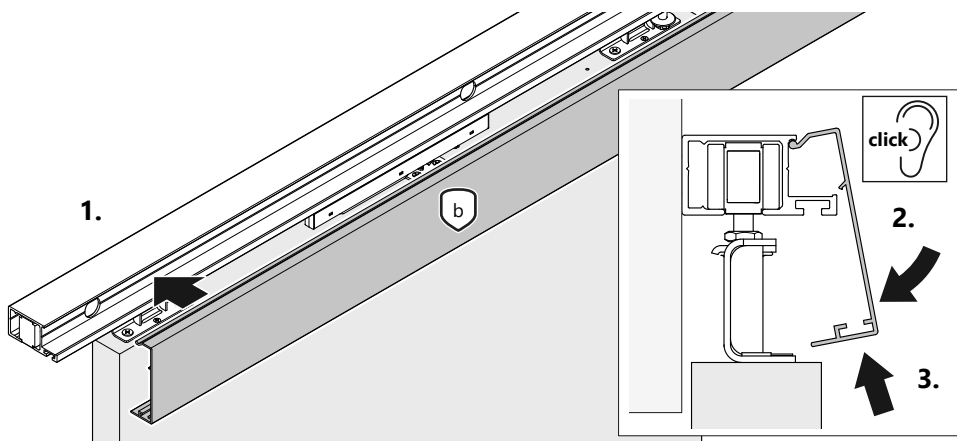


MOUNTING | WOOD SLIDING DOOR

9.

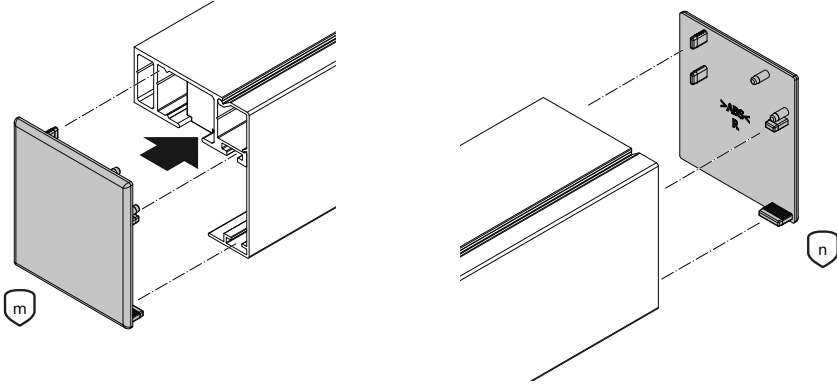


10.

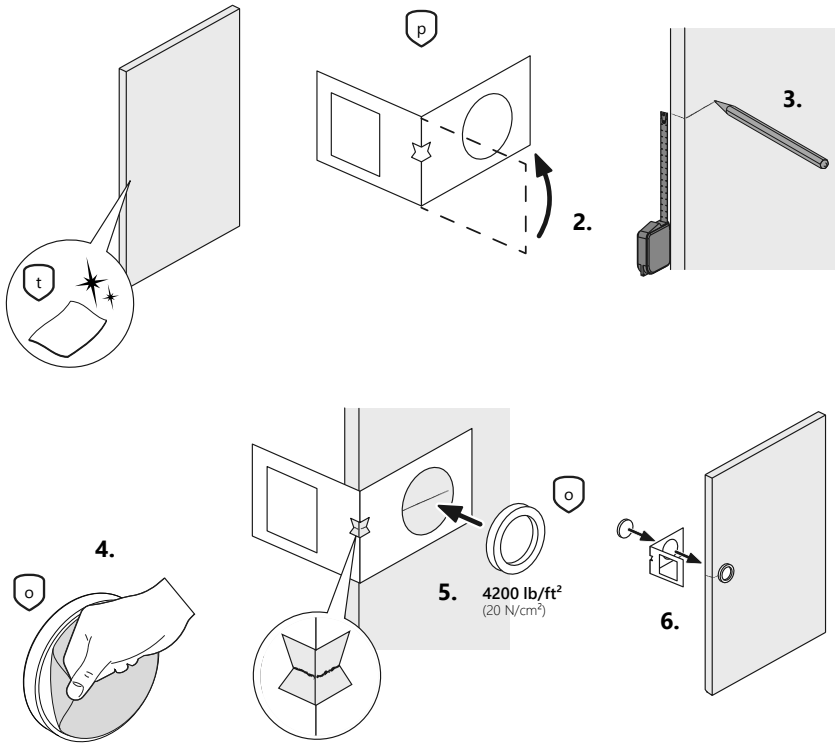


MOUNTING | WOOD SLIDING DOOR

11.



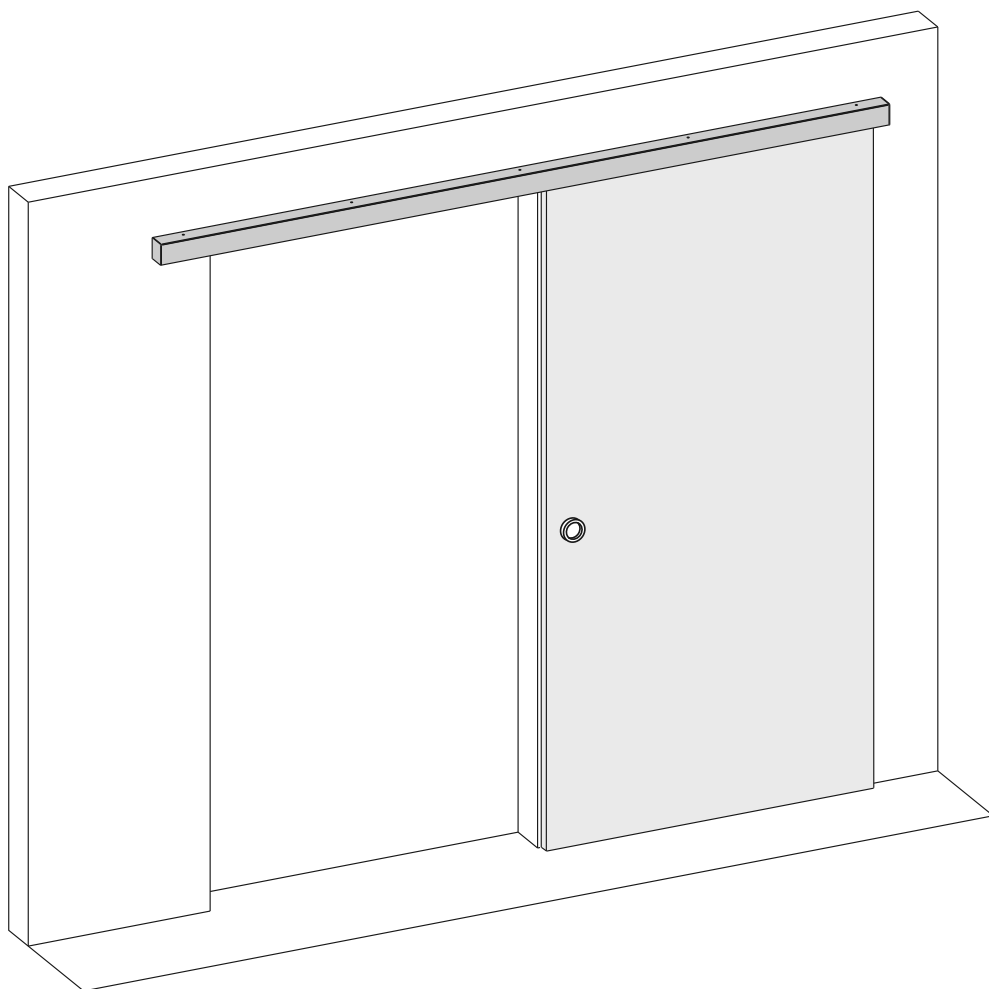
12.



INSTALLATION INSTRUCTION

Enclosed barn door track
for glass doors up to 143 lb

Article number 0520037, 0520038

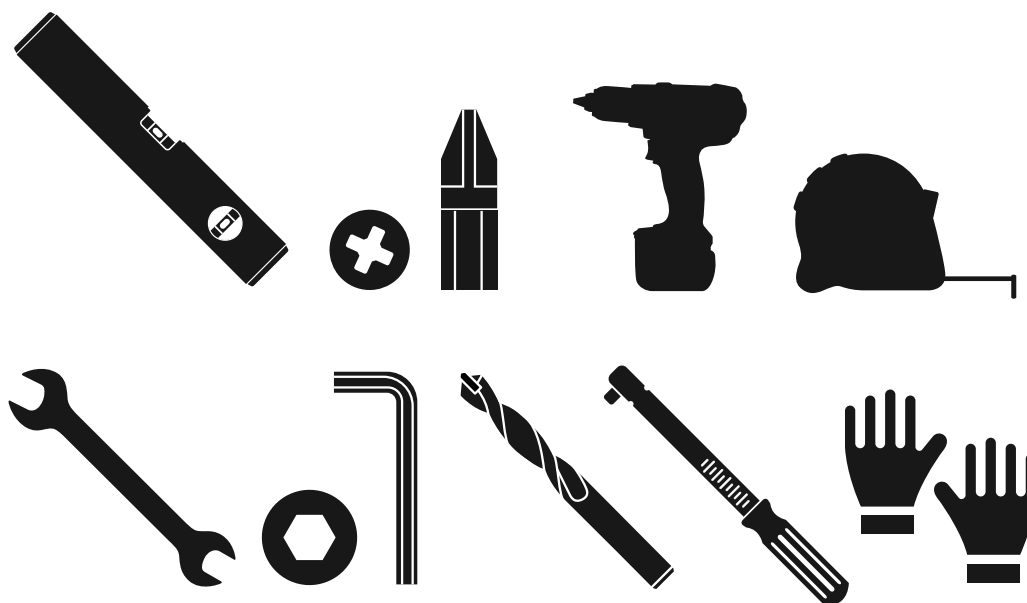


MOUNTING PREPARATION | GLASS SLIDING DOOR

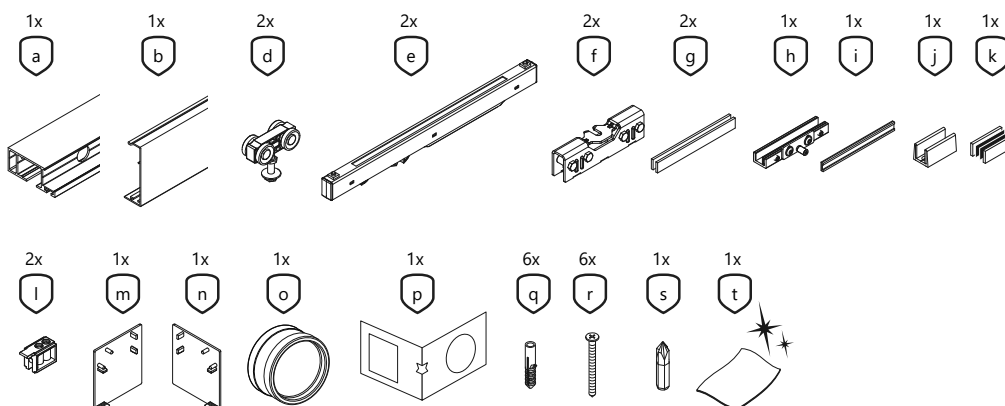
Safety notes

Before assembly, please read the assembly instructions carefully. In case of difficulties in understanding, contact the customer service or your supplier. In order to assemble the purchased product properly, please use the tools indicated on the following page. All components have been checked for integrity before delivery. For damage caused by improper assembly or transport no liability will be accepted.

Required tools

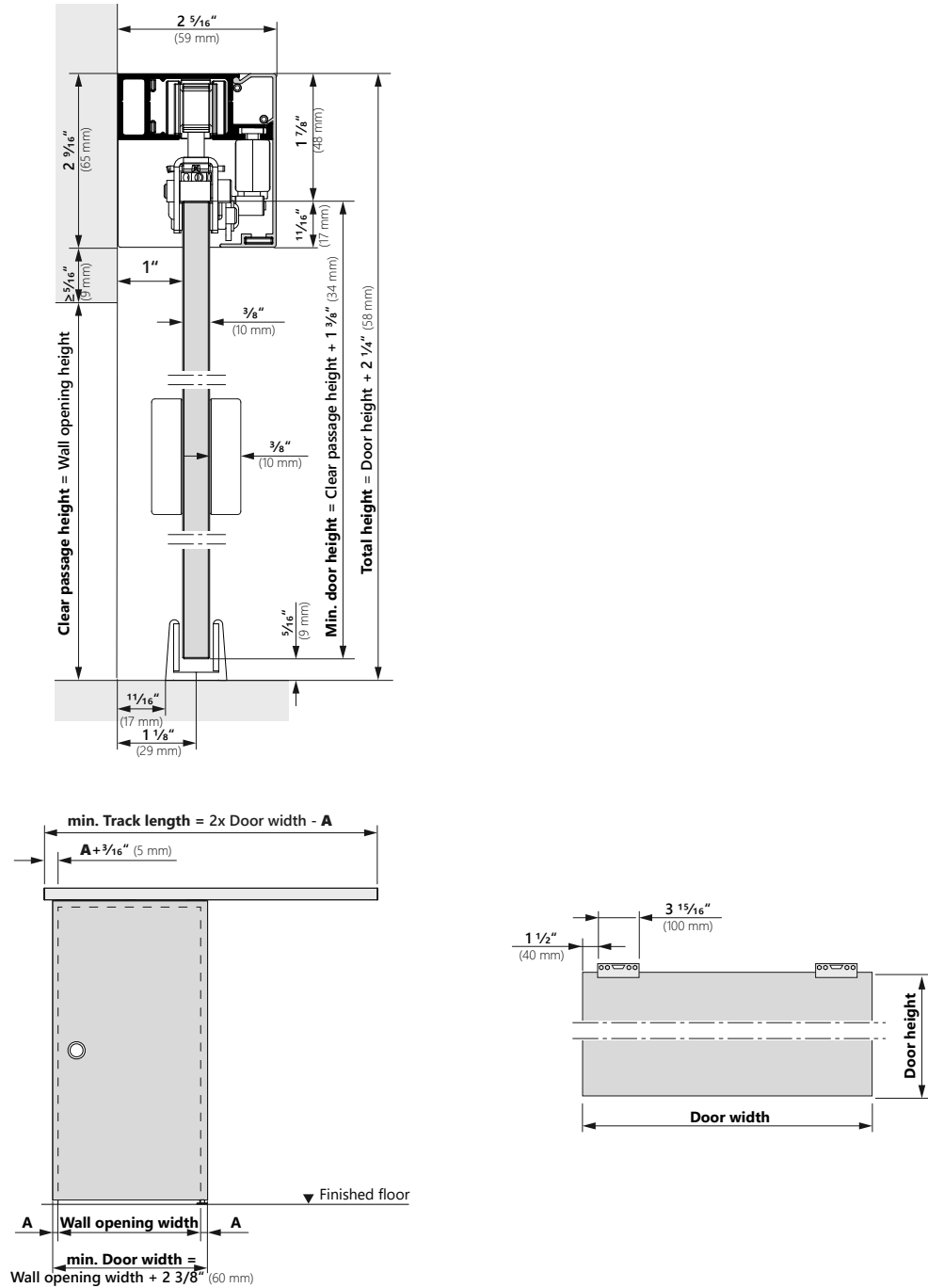


Parts of the box track



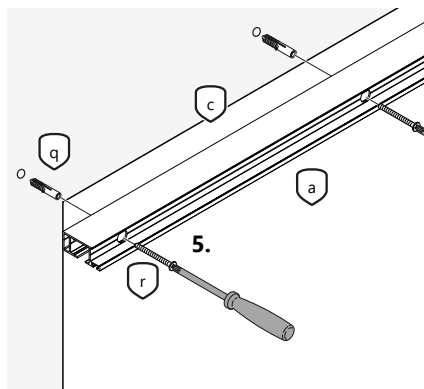
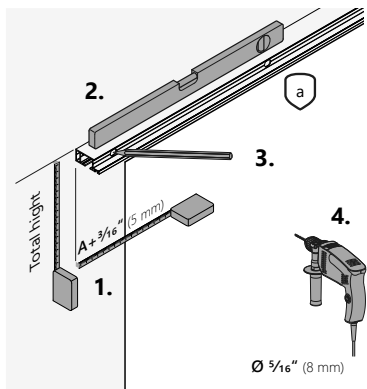
DIMENSIONS | GLASS SLIDING DOOR

Side and front view



MOUNTING | GLASS SLIDING DOOR

1.

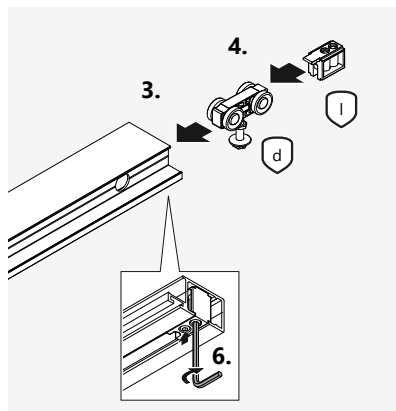
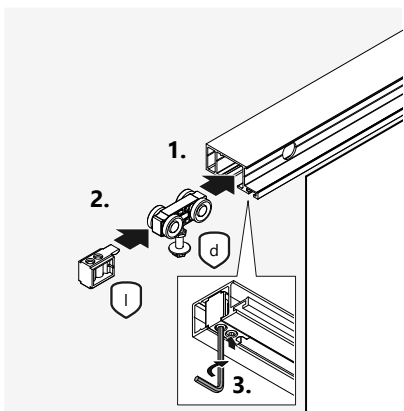


! The load-bearing capacity of the wall must be checked. Suitable fastening material must be provided by the customer! The material provided is suitable for brick and concrete walls only.

2.

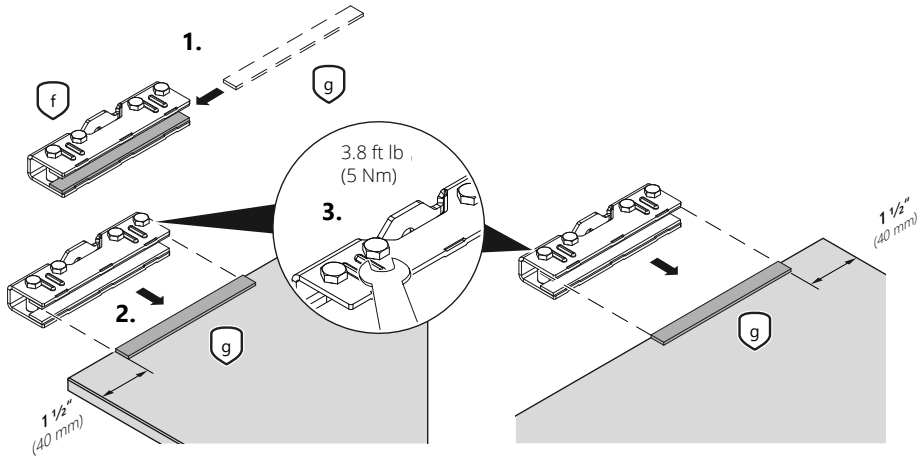
Left side

Right side

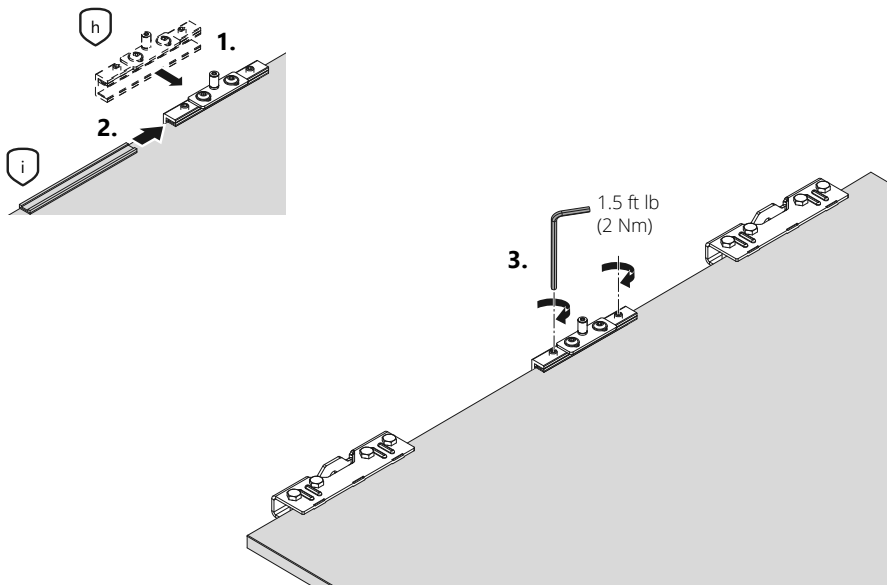


MOUNTING | GLASS SLIDING DOOR

3.

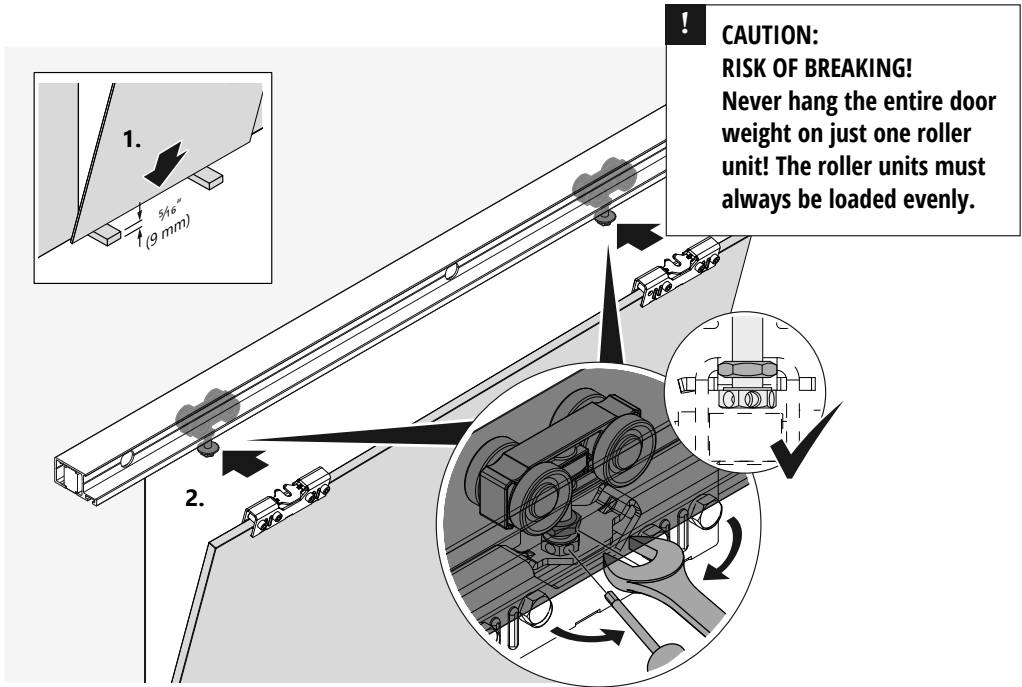


4.

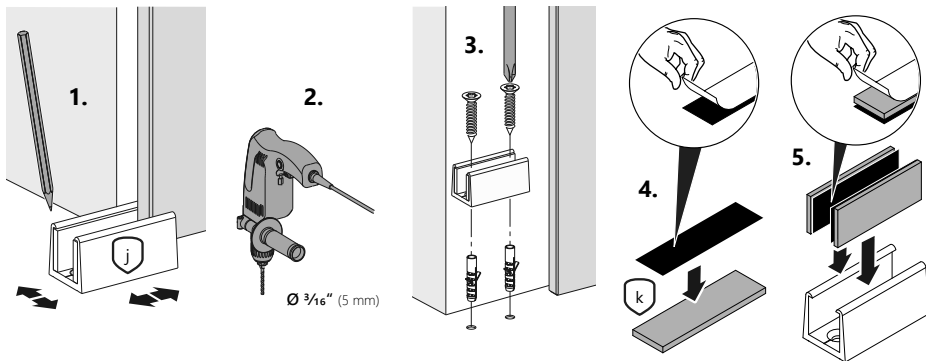


MOUNTING | GLASS SLIDING DOOR

5.

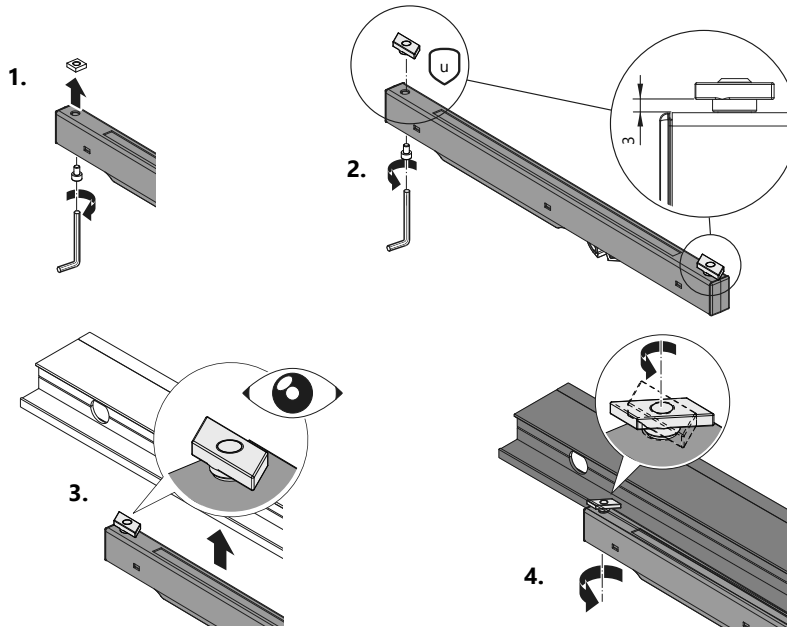


6.



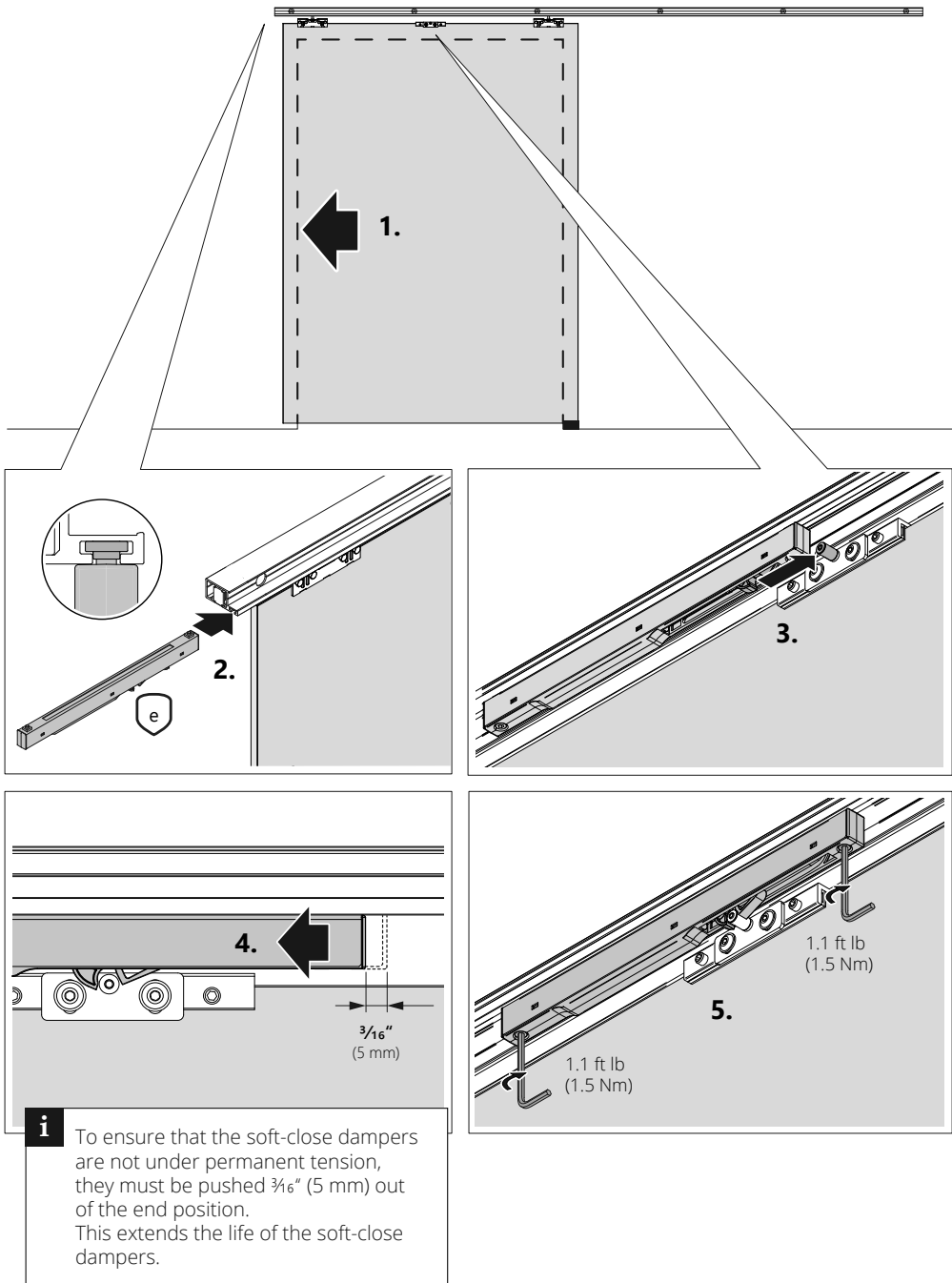
The condition of the floor must be checked. Suitable fastening material must be provided by the customer!

Mounting option: Mounting the softclose from below



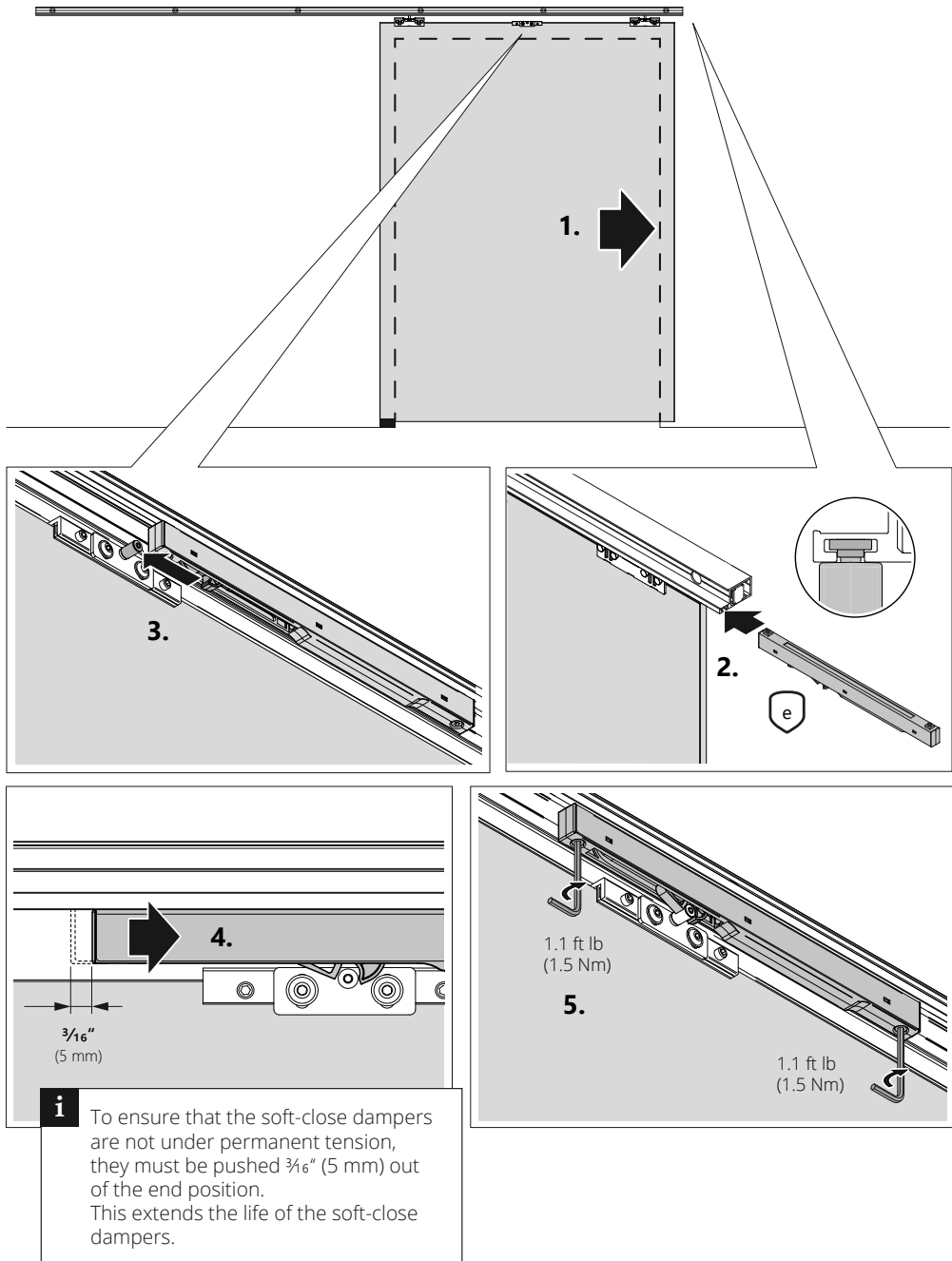
MOUNTING | GLASS SLIDING DOOR

7.



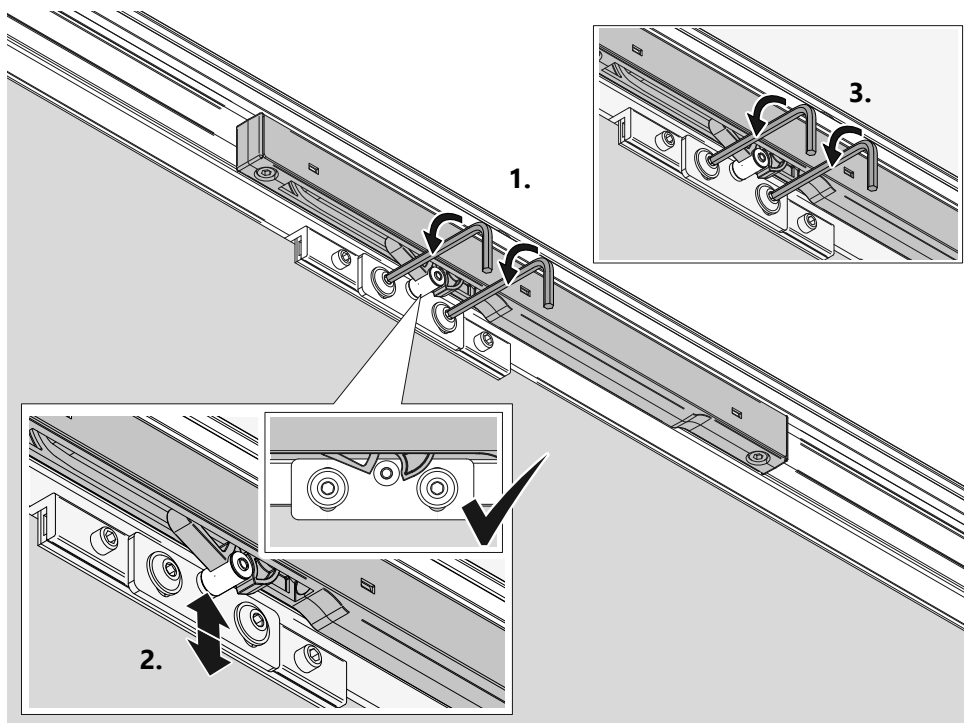
MOUNTING | GLASS SLIDING DOOR

8.

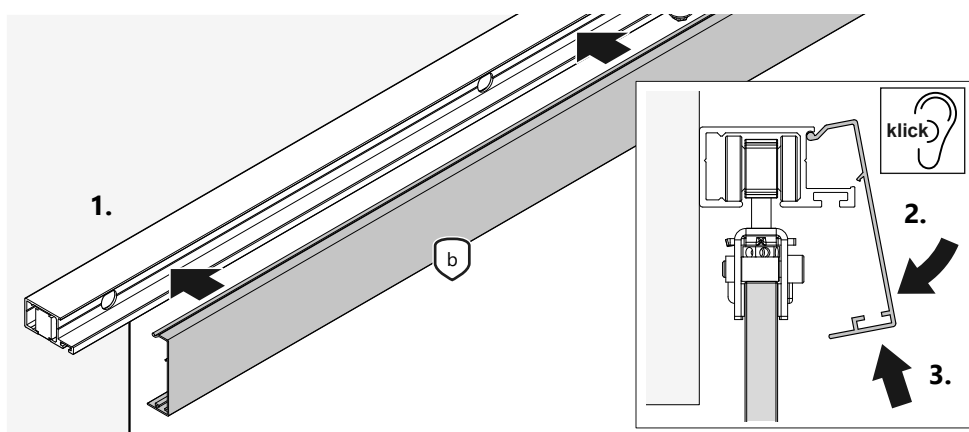


MOUNTING | GLASS SLIDING DOOR

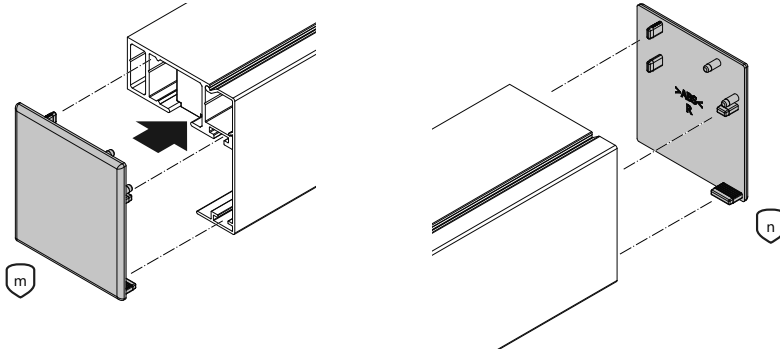
9.



10.



11.



12.

